

Warranty Information

Proof of purchase will be required.

The guarantee does not cover faults or damage caused by incorrect installation and/or maintenance, ordinary wear and tear, water composition, etc.

*Please see www.deva-uk.com for full terms and conditions of warranty

Cleaning

Your product has a high-quality finish and should be treated with care to preserve the visible surfaces. Never use abrasives or abrasive cleaning agents to clean this product clean regularly with contamination free warm water and a damp soft cloth. Do not use products containing chlorine bleach or hydrochloric acid as these can damage the product.

We have a policy of continuous improvement and reserve the right to change specifications without notice.

METHVEN UK LIMITED
METHVEN EXPERIENCE CENTRE
3/3A STONE CROSS COURT
YEW TREE WAY
GOLBORNE
WARRINGTON
WA3 3JD
UNITED KINGDOM

INST-WEX313
V1 17.10.2023

TEL: 0800 195 1602
FAX: 0844 406 8690
EMAIL: sales@uk.methven.com
www.deva-uk.com
www.methven.com

WEXFORD Mini Basin Mixer & Press Top Waste

WEX313

Installation Guide

Technical Specification

Working Pressure:

Min: 0.1 Bar

Max: 5.0 Bar

Operating Temperature:

Hot: 65°C

Cold: 5°C

Inlet Connections:

½" BSP

Features:

Suitable for high & low pressure systems

35mm ceramic cartridge

Tilt and turn temperature and flow control

Single flow outlet with pre-fitted flow

straightener

Fixing kit(metal horseshoe fixing plate,
rubber horseshoe fixing washer, metal bar
and locking nut)

Supplied with 2 x M10-350mm flexi tails

Complete with press top waste



Congratulations on your purchase of your new Deva by Methven Basin Mixer. Our fitting instructions have been created with you in mind to provide you with all the information you require and, if you need any further help, please don't hesitate to contact our customer care team on 0800 195 1602.

Please keep these instructions for future reference and request of replacement parts

Contents

General Safety Information	3
Line Drawing	3
Product Breakdown	4
Product Breakdown	4
Installation Requirements	6
Installation	6
Troubleshooting	7
Warranty Information	8
Cleaning	8

Troubleshooting

Symptom	Cause(s)	Resolution
Mixer not turning on	Mains water supply turned off	Turn on the mains water supply
	Closed isolation valve	Open isolation valve
No hot water	Cold override	Check if the pressure is balanced. Fit pressure equalising valve.
Low flow rate/no flow	Water supply failure	Investigate water supply, check plumbing and heating system for any faults
	Partially closed isolation valve	Open isolation valve
	Air lock or partial blockage in the supply pipework or hoses	Flush through pipework to ensure removal of debris and any airlocks
	Water being drawn off elsewhere causing pressure changes or instantaneous boiler temperature changes. Ensure minimum pressure is being met.	Try not to use other water outlets when using the mixer
Water dripping from the mixer	This is normal for a short time after using the mixer	This is due to residual water tension, the build up of water in the mixer spout.
	If water continues to drip, possible issue with the flow control cartridge.	Please contact our customer care team
Movement of fitted mixer	Fixing kit loose	Ensure fixing kit nut is sufficiently tightened

Installation Requirements

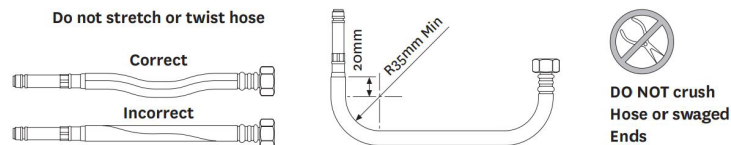
Before commencing installation of the new product, ensure that the system has been flushed to remove any debris, which could cause damage to the valves and invalidate the warranty.

Basin Mixer Installation

- 1, Fit the base ring onto the bottom of the tap body. The raised edge of the base ring sits inside the lip on the base of the tap with the rubber washer facing the basin.
- 2, Insert the fixing bolts into the bottom of the tap, with the slot facing out and using a flat bladed screw-driver tighten this up.
- 3, Screw the flexible tails into the bottom of the tap, by hand, until tight. Do not use PTFE tape, or similar, on the threads.
- 4, Feed the tails and fixing bolt into the hole in the basin, ensuring that the base ring and rubber washer are seated correctly and fully covering the hole.
- 5, From the underside of the basin feed the rubber horseshoe shaped washer over the fixing bolt followed by the metal one. Place the nut over the fixing bolt and tighten until the tap is fixed on the basin. Do not overtighten.
- 6, Connect the hot and cold feeds to the water supply.
- 7, Reinstate the water supply and test for leaks.

Waste Installation

- 1, Remove the backnut, white plastic washer and smaller of the two rubber washers. Push the larger of the rubber washers up to the waste flange and insert into the hole for the waste in the basin. Please note sealant can be used in addition to, or instead of, the washers depending on the requirements of the installation or preferences of the installer.
- 2, On the underside of the basin, feed the smaller rubber washer and white plastic washer back onto the bottom of the waste tail and using the backnut, tighten until the waste is secure. As above sealant can also be used.
- 3, Attach the trap/waste pipework to the bottom of the waste body and test for leaks.



General Safety Information

Please read all of the instructions before installation.

Methven recommends this product is installed by a competent person in compliance with all relevant regional regulations.

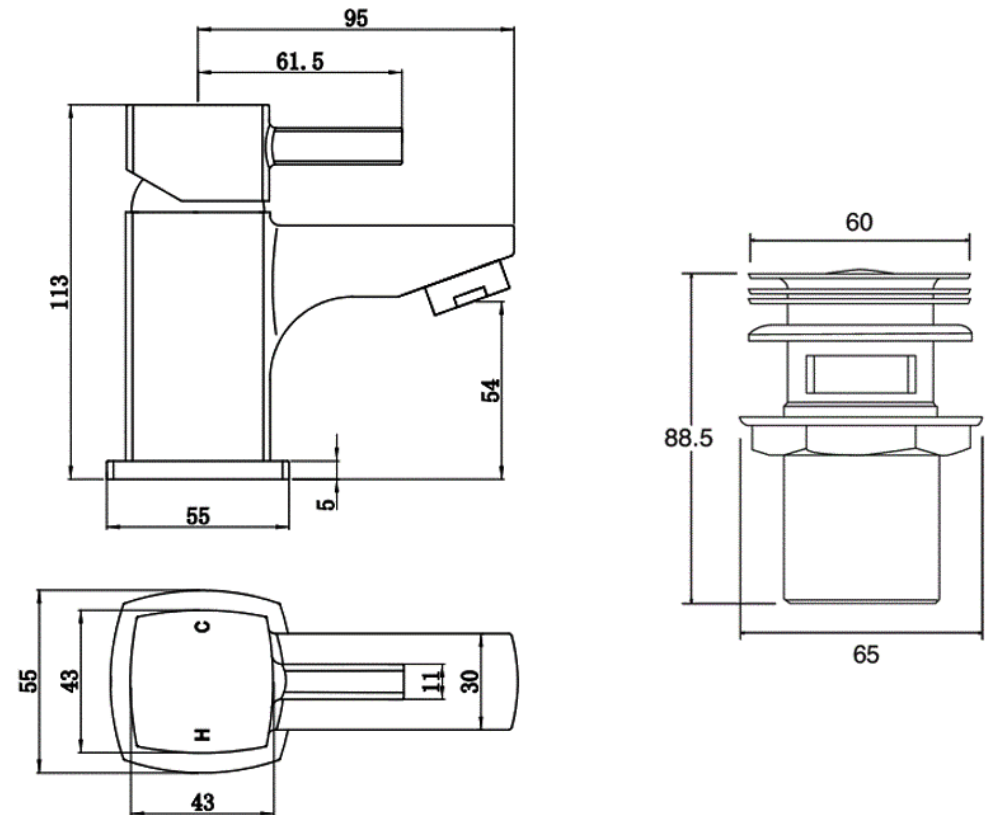
Remove all packaging and check the components for damage before starting installation.

This product **must** not be modified in any way as this will invalidate the guarantee.

It is the responsibility of the installer to ensure a waterproof seal is achieved, after installation all connections must be checked for leaks.

All outlets used primarily for personal hygiene shall deliver water at a safe temperature as per regional regulations.

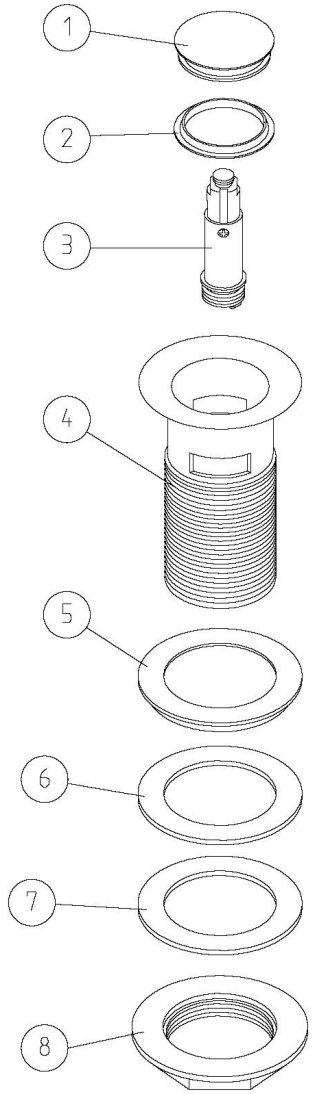
Line Drawing



Product Breakdown

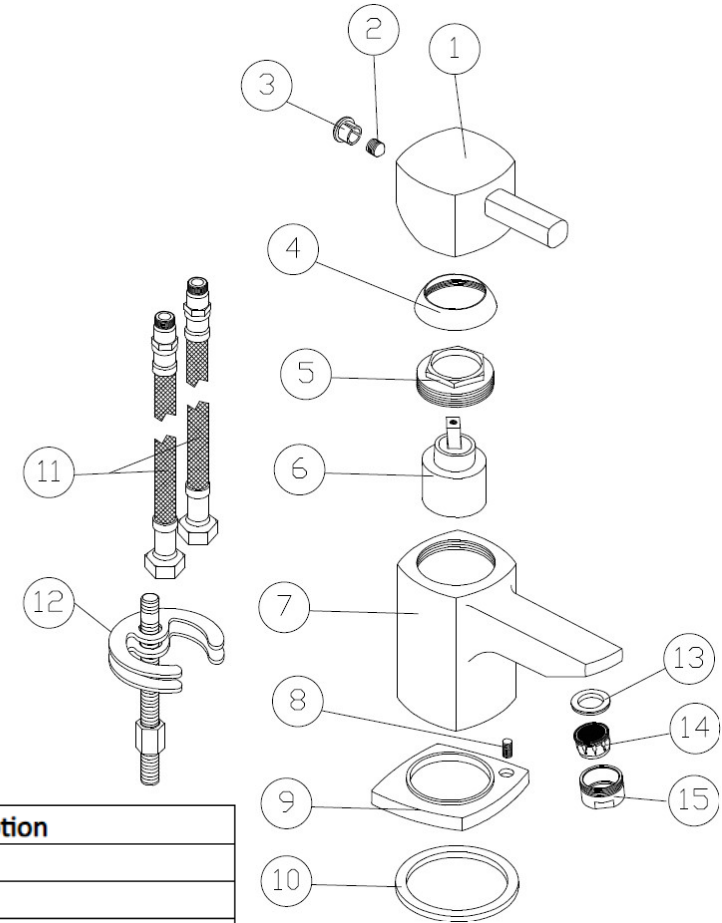
Check All components are present prior to starting installation.

Basin Waste



Item Number	Item Description
1	Cover
2	Plug Washer
3	Click Mechanism
4	Waste Body
5	Flange Rubber Washer
6	Rubber Washer
7	White Plastic Washer
8	Backnut

Basin Mixer



Item Number	Item Description
1	Handle
2	Grub Screw
3	Grub Screw Cap
4	Cartridge Cover
5	Cartridge Locking Nut
6	35mm Ceramic Cartridge
7	Mini Basin Mixer Body
8	Grub Screw
9	Base Plate
10	Base Plate Washer
11	350mm Flexi Tails
12	Fixing Kit
13	Washer
14	Aerator
15	Aerator Housing