

## Warranty Information\*

Proof of purchase will be required.

The guarantee does not cover faults or damage caused by incorrect installation and/or maintenance, ordinary wear and tear, water composition, etc.

\*Please see [www.deva-uk.com](http://www.deva-uk.com) for full terms and conditions of warranty

Please retain installation & maintenance guide for future reference.

## Cleaning

Your product has a high-quality finish and should be treated with care to preserve the visible surfaces. Never use abrasives or abrasive cleaning agents to clean this product. Clean regularly with contamination free warm water and a damp soft cloth. Do not use products containing chlorine bleach or hydrochloric acid as these can damage the product.

We have a policy of continuous improvement and reserve the right to change specifications without notice.

METHVEN UK LIMITED  
METHVEN EXPERIENCE CENTRE  
3/3A STONE CROSS COURT  
YEW TREE WAY  
GOLBORNE  
WARRINGTON  
WA3 3JD  
UNITED KINGDOM

TEL: 0800 195 1602  
FAX: 0844 406 8690  
EMAIL: [sales@uk.methven.com](mailto:sales@uk.methven.com)  
[www.deva-uk.com](http://www.deva-uk.com)  
[www.methven.com](http://www.methven.com)

BVo2CP-V1  
05.08.2022

# Thermostatic Bar Valve with Fast Fix BVo2CP Installation Guide

---

## Technical Specification

### Supply:

Suitable For All Pressure Systems

### Working Pressure:

Min: 0.2 Bar

Max: 5.0 Bar

### Operating Temperature:

Hot: 65°C

Cold: 5°C

### Inlet Connections:

1/2" BSP

### Cartridge/Valve Type:

Thermostatic

### Operation:

Separate Flow and Temperature Controls

### Features:

- 38°C hot stop with override facility
- Durable brass construction
- Easy grip handles
- TMV2 approved
- Includes easy fit fast fix connections



## Contents

Congratulations on your purchase of your new Deva Bar Valve. Our fitting instructions have been created with you in mind to provide you with all the information you require and, if you need any further help, please don't hesitate to contact our customer care team on 0800 195 1602

General Characteristics	3
Operating Specifications	4
Installation	5
Commissioning	8
Calibration	9
In Service Testing	9
Filter Washer Cleaning	11
Warranty Information	12
Cleaning	12

Depending on the results of the above tests, several possibilities exist:

- a) If no significant change (e.g. <1) in mixed water temperatures are recorded between commissioning and 6-8 week testing, or between commissioning and 12-15 weeks testing the next in-service test can be deferred to 24-28 weeks after commissioning.
- b) If small changes (e.g. 1-2) in mixed water temperatures are recorded in only one of these periods, necessitating adjustment of the mixed water temperature, then the next in-service test can be deferred to 24-28 weeks after commissioning.
- c) If small changes (e.g. 1-2) in mixed water temperatures are recorded in both of these periods, necessitating adjustment of the mixed water temperature, then the next in-service test can be carried out at 18-21 weeks after commissioning.
- d) If significant changes (e.g. >2) in mixed water temperatures are recorded in either of these periods, necessitating service work, then the next in-service test should be carried out at 18-21 weeks after commissioning.

The general principle to be observed after the first 2 or 3 in-service tests is that the intervals of future tests should be set to those which previous tests have shown can be achieved with no more than a small change in mixed water temperature.

### **FILTER WASHER CLEANING**

It is advised that this should be carried out by a qualified person

- 1 Isolate both hot and cold mains supplies
- 2 Undo the nuts on both hot and cold inlet unions and remove the filter washers.
- 3 Wash the filter washers thoroughly under running water. Use a suitable brush to remove all debris.
- 4 Refit into hot and cold inlets and tighten nuts
- 5 Turn on hot and cold mains supplies and check for leaks

c) Any isolating valves are fully open

With an acceptable mixed temperature, complete the following procedure:

- a) Record the temperature of the hot and cold water supplies
- b) Record the temperature of the mixed water at the largest draw-off flow rate
- c) Record the temperature of the mixed water at the smaller draw-off flow rate, which shall be measured
- d) Isolate the cold water supply to the mixing valve and monitor the mixed water temperature.
- e) Record the maximum temperature achieved as a result of (d) and the final stabilised temperature
- f) Record the equipment, thermometer etc. used for the measurements

If at step (e) the final mixed water temperature is greater than the values in the table and/or the maximum temperature exceeds the corresponding value from the previous results by more than about 2, the need for service work is indicated.

NOTE: In-service tests should be carried out with a frequency, which identifies a need for service work before an unsafe water temperature can result. In the absence of any other instruction or guidance, the procedure described in Annex F may be used

#### Annex F (informative)

##### General

In the absence of any other instruction or guidance on the means of determining the appropriate frequency of in-service testing, the following procedure may be used:

- a) 6 to 8 weeks commissioning carry out the tests detailed in "in-service testing"
- b) 12 to 15 weeks after commissioning carry out the tests detailed in "in-service testing"

If there is a residual flow during the commissioning or the annual verification (cold water supply isolation test), then this is acceptable providing the temperature of the water seeping from the valve is no more than 2°C above the designated maximum mixed water outlet temperature setting of the valve. Temperature readings should be taken at the normal flow rate after allowing for the system to stabilize.

## GENERAL CHARACTERISTICS

We recommends this product is installed by a licensed plumber in compliance with all relevant 'Water Supply (Water Fittings) Regulations 1999'. If you are unsure as to what the regulations require, you can contact your Local Water Authority or the Institute of Plumbers for further details.

**This product is safe provided it is installed, used and maintained in accordance with these instructions and recommendations.**

**Do not choose a position where the thermostatic bar valve could become frozen.**

**Do not allow the inlet pressure or flow rates to operate outside the operating conditions**

**Do not connect the thermostatic bar valve to a gravity hot supply and a mains cold supply or vice versa.**

**Do not subject the thermostatic bar valve to a water temperature above 85°C during installation, use, maintenance or disinfection.**

**Do not use jointing compounds on any pipe fittings for the installation**

**Do not solder fittings near the unit as heat transfer along the pipework could damage the bar valve.**

**The layout and sizing of pipework must be such that nominally equal inlet supply pressures are achieved and the effects of other draw-offs are minimized.**

**The hot water pipe entry must be made to the left-hand side inlet, marked with a red dot.**

**Suitable isolating valves (complying with Water Regulations and Bylaws) must be fitted on the hot and cold water supplies as close as practicable to the inlets of the thermostatic bar valve. These isolating valves must be accessible to provide an independent means of isolating the water supplies should maintenance or servicing be necessary.**

**Before connecting the thermostatic bar valve, water should be flushed through the system to remove all debris that might otherwise damage the valve.**

## TMV2 OPERATING SPECIFICATIONS

This valve is suitable for All Pressure water heating systems provided it is installed correctly

	Pressure
Maximum Static Pressure - Bar	10 bar
Flow Pressure, Hot & Cold - Bar	0.2 to 5
Hot Supply Temperature - °C	55°C to 65°C
Cold Supply Temperature - °C	< 25°C

**NOTE:** Valves operating outside these conditions cannot be guaranteed by the scheme to operate as Type 2 valves.

Operating pressure on hot and cold line should be kept as balanced as possible in order to assure maximum efficiency.

**The valves designation of use is for Low Pressure BS EN1287:2017 and High Pressure (HP-S) BS EN1111 and the recommended mixed water outlet for showers at point of discharge is 41°C**

If a water supply is fed by gravity then the supply pressure should be verified to ensure the conditions of use are appropriate for the valve.

The check valves with strainers are inserted in the inlet connections in order to prevent **back-flow**.

### RECOMMENDED OUTLET TEMPERATURES

The NSF TMV Scheme recommends the following set maximum mixed water outlet temperatures for use in all premises:

41°C for showers

The mixed water temperature must never exceed 46°C

The maximum mixed water temperature can be 2°C above the recommended maximum set outlet temperatures.

#### Temperature Setting

The mixer has been set in the factory under balanced pressures at 38°C. Where conditions are different from the above the temperature of the mixed water may vary from setting.

You can adjust the calibration of the mixer to suit individual requirements.

#### Note:

46°C is the maximum mixed water temperature from the bath tap. The maximum temperature takes account of the allowable temperature tolerances inherent in thermostatic mixing valves and temperature losses in metal baths.

**It is not a safe bathing temperature for adults or children.**

The British Burns Association recommends 37°C to 37.5°C as a comfortable bathing temperature for children. In premises covered by the Care Standards Act 2000, the maximum mixed water outlet temperature is 43°C.

The thermostatic mixing valve will be installed in such a position that maintenance of the TMV and it's valves and the commissioning and testing of the TMV can be undertaken. The fitting of isolation valves is required as close as is practicable to the water supply inlets of the thermostatic mixing valve.

The fitting of strainers is recommended as close as is practicable to the water supply inlets of the thermostatic mixing valve.

## Calibration

It is a requirement that all TMV2 approved valves shall be verified against the original set temperature results once a year to ensure continued good performance, failure to regularly maintain the Thermostatic mixing valve may lead to poor flow, fluctuations in temperature and in some cases complete failure.

The mixer has been set in the factory under balanced pressures at 38°C. Where conditions are different from the above the temperature of the mixed water may vary from setting. You can adjust the calibration of the mixer to suit individual requirements.

- 1 Turn temperature handle to fully hot.
- 2 Remove the handle cap and the screw and pull the handle from valve
- 3 Turn the spindle on the thermostatic cartridge until the desired temperature is reached. (Always maintain the 10°C difference between supply and mixed).
- 4 Once the temperature is reached, replace the handle so that the stop is in the maximum position, replace screw and handle cap.

**Re-calibration should only be carried out when absolutely necessary.**

## In Service Testing

### Purpose

The purpose of in-service test is to regularly monitor and record the performance of the thermostatic mixing valve. Determination in performance can indicate the need for service work on the valve and/or the water supplies.

### Procedure

Using the same measuring equipment or equipment to the same specification as used in the commissioning of the valve, adjust the temperature of the mixed water in accordance with the manufacturer's instructions and the requirement of the application. Carry out the following sequence:

- a) Record the temperature of the hot and cold water supplies
- b) Record the temperature of the mixed water at the largest draw-off flow rate
- c) Record the temperature of the mixed water at a smaller draw-off rate, which shall be measured.

If the mixed water temperature has changed significantly from the previous test result (e.g. >1) record the change and before re-adjusting the mixed water temperature check:

- a) That any in-line or integral strainer are clean
- b) Any in-line or integral check valves or other anti-back siphon age devices are in good working order

## Commissioning

As the installed supply conditions are likely to be different from those used in factory testing it is appropriate, at commissioning, to carry out some simple checks and tests on the thermostatic bar valve to provide a performance reference point for future verification.

Check that:

1. The designation of the thermostatic bar valve matches the intended application.
2. The supply pressures are within the thermostatic valve operating pressures.
3. The supply temperatures are within the thermostatic valve operating range. If all these conditions are met, proceed to check factory setting.
  1. Start the water flow by rotating the flow control handle.
  2. Make sure the hot and cold supplies are fully open - at normal temperature and pressure and are within the requirements as stated in the operating specifications.
  3. Make sure the temperature control is at maximum temperature setting. This product has a temperature override button, to access temperature above the normal comfortable showering temperature. Press the button and continue to turn the handle.
  4. Allow the shower to run at this maximum temperature setting until the water temperature has stabilised.
  5. A final temperature check should be made and that the mixed water temperature at the terminal fitting must never exceed 46°C.

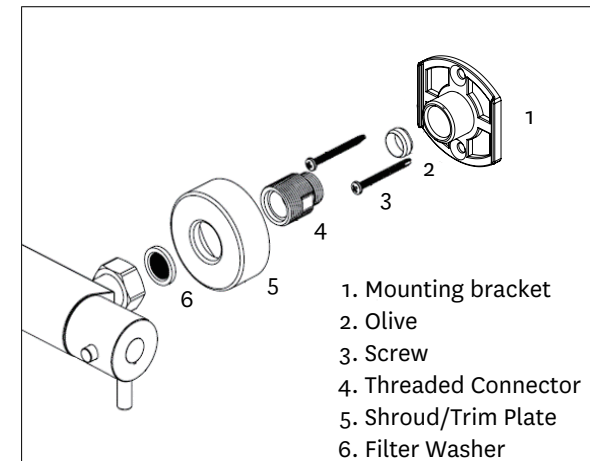
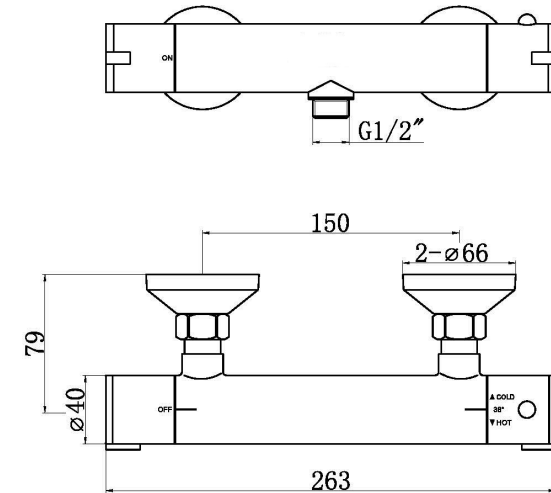
## Installation of the connections and valve

### Important notes before installing your shower valve.

You should:

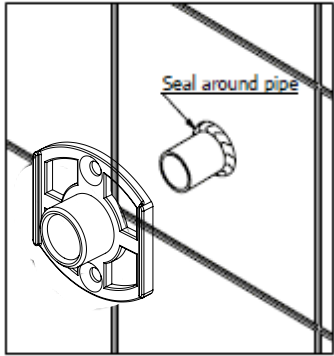
1. Check the contents of the box and all parts are present and correct.
2. Check to ensure the minimum operating conditions can be met.
3. **Have the** correct tools to perform a trouble free installation.
4. Consider the surrounding environment where the installation is to take place and any potential hidden dangers.
5. **Isolate both the hot and cold water supplies**

### Line Drawing



## Installation

- 1 Prepare the hot and cold supply pipes at 150mm centres.
- 2 Ensure the holes for the pipes are not made too big as this will affect drilling of the screw holes for the mounting brackets.
- 3 Ensure that there is approximately 22mm of pipework left exposed proud of the finished tiled wall to establish the correct installation connection.
- 4 Apply an appropriate amount of sealant between the pipe and wall lining to create a watertight seal.



**It is the responsibility of the installer to ensure a waterproof seal is achieved between the product and mounting surface.**

- 5 Place the mounting plate over the pipework
- 6 Place the olive over onto the exposed pipe.
- 7 Take one of the threaded connectors, slide the connector over the pipework and loosely fit the threaded connector into the mounting bracket. This will ensure that the pipework is central to the mounting bracket.
- 8 Using the mounting bracket as a template, mark the positions of the holes to be drilled.
- 9 Remove the threaded connector, slide the mounting bracket and olive off the pipework
- 10 Drill and plug the wall in position as previously marked, Note: Ensure you use the correct type of wall plugs to suit your particular installation conditions.
- 11 Place the mounting bracket back over the pipework
- 12 Place the olive over onto the exposed pipe.
- 13 Take one of the threaded connectors. Ensure the end with the flat edges is facing towards the wall. Slide the connector over the pipework and loosely fit onto the mounting bracket.
- 14 Screw the mounting bracket to the wall
- 15 Using a spanner, located the flat edge on the threaded adapter and tighten onto the mounting bracket.

**To fix the second mounting bracket and ensure the bar valve is positioned squarely on the wall**

- 16 Take the second mounting bracket in your hand and loosely fit the threaded connector . Take this loose assembly and screw this to the bar valve.

**This will be used as a template to ensure that the correct centres are achieved and the thermostatic bar valve is installed squarely.**

- 17 Loosely screw the other bar valve connection to the mounting bracket assembly affixed to the wall previously, ensuring the second exposed pipe slides into the loosely assembled mounting bracket attached to the thermostatic bar valve.
- 18 Taking care not to damage the surface of the bar valve, use a spirit level to line up the bar valve squarely. Ensuring the mounting bracket is against the wall, use the mounting bracket as a template to mark the positions of the holes to be drilled and plugged.
- 19 Remove the shower mixer assembly from the wall
- 20 Unscrew the loosely assembled mounting bracket and threaded connector from the thermostatic bar valve.
- 21 Drill and plug the wall in positions as previously marked.

**Ensure you use the correct type of wall plugs to suit your particular installation conditions.**

- 22 Place the mounting bracket back over the pipe.
- 23 Place the olive onto the exposed pipe.
- 24 Take the remaining threaded connector. Ensure the end with the flat edges is facing towards the wall. Slide it over the pipe and loosely wind the threaded connector onto the mounting bracket.
- 25 Screw the mounting bracket to the wall
- 26 Using a spanner, locate the flat edge on the threaded adapter and tighten onto the mounting bracket.
- 27 To fit the trim plates, screw on to the threaded insert until it reaches the finished wall lining and align accordingly.

**At this stage the pipe should be flushed of any debris. Failure to do so may result in the filter of the bar valve becoming prematurely blocked and reduce its performance.**

- 28 Ensuring seals and filters washers are correctly located in the inlet unions of the bar valve, screw the unions of the bar valve to the easy fix connectors and tighten.
- 29 Turn on the hot and cold water supplies and check for leaks.

## Warranty Information\*

Proof of purchase will be required.

The guarantee does not cover faults or damage caused by incorrect installation and/or maintenance, ordinary wear and tear, water composition, etc.

\*Please see [www.deva-uk.com](http://www.deva-uk.com) for full terms and conditions of warranty

Please retain installation & maintenance guide for future reference.

## Cleaning

Your product has a high-quality finish and should be treated with care to preserve the visible surfaces. Never use abrasives or abrasive cleaning agents to clean this product. Clean regularly with contamination free warm water and a damp soft cloth. Do not use products containing chlorine bleach or hydrochloric acid as these can damage the product.

We have a policy of continuous improvement and reserve the right to change specifications without notice.

METHVEN UK LIMITED  
METHVEN EXPERIENCE CENTRE  
3/3A STONE CROSS COURT  
YEW TREE WAY  
GOLBORNE  
WARRINGTON  
WA3 3JD  
UNITED KINGDOM

INST-KITS13,  
X-KITS13  
19/08/2022

TEL: 0800 195 1602  
FAX: 0844 406 8690  
EMAIL: [sales@uk.methven.com](mailto:sales@uk.methven.com)  
[www.deva-uk.com](http://www.deva-uk.com)  
[www.methven.com](http://www.methven.com)

## Single Mode Shower Kit

Product Code: KITS13

Installation Guide

### Technical Specifications: Supply:

Suitable for all pressure systems

### Working Pressure:

0.3bar - 5.0 bar

### Features:

- 650mm rail
- Riser rail features adjustable bracket - Ideal for retrofit
- Adjustable slider for handset positioning, with easy turn lever
- Double interlocked 1.5m hose
- Single mode, rub clean shower handset



Please keep these instructions for future reference and request of replacement parts.



Deva™ by METHVEN

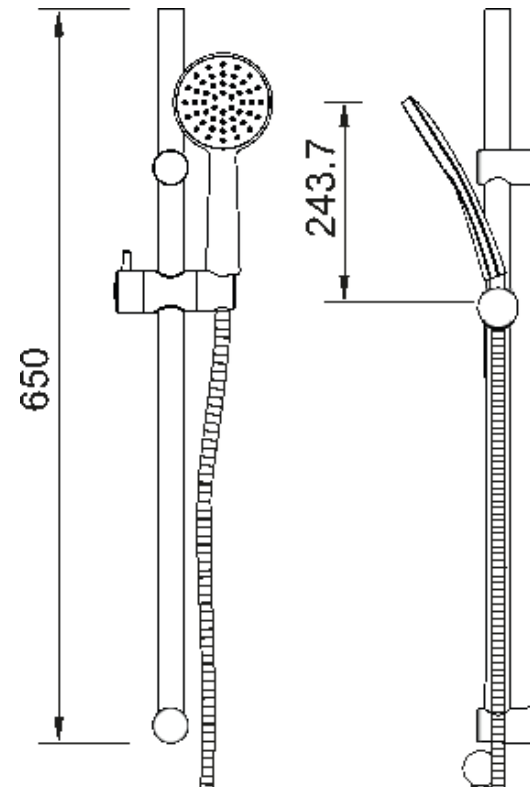
## Installation:

1. Select the location for the kit, ensuring no wiring or pipework in the wall can be damaged, also that when the slider bracket is positioned at the top of the rail, the hose is not over extended.

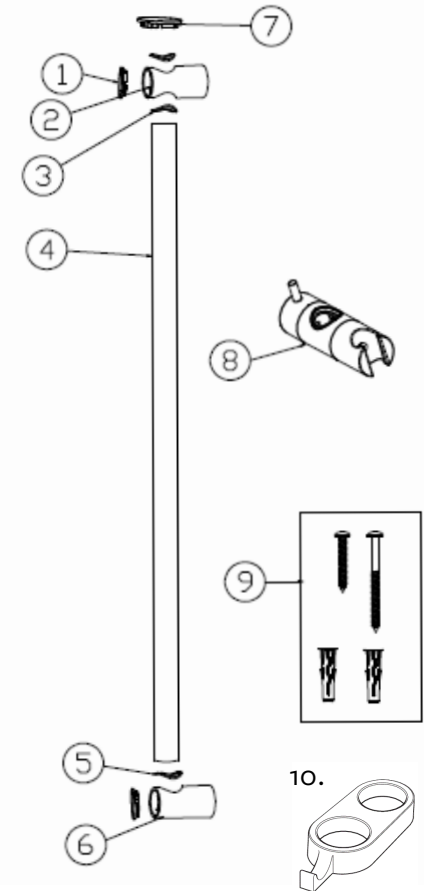
**Note: The location should also ensure that during use, the water flow is directed toward a suitable location, so as not to cause water damage.**

2. Remove the cover plates from the wall brackets.
3. Hold the bottom wall bracket against the wall and mark the hole positions.
4. Drill holes in marked position and insert wall plugs.
5. Reposition the bottom wall bracket and using the screws, secure to the wall.
6. Place the slider onto the rail, ensuring the wider opening of the handset holder is located upwards.
7. Position the top wall bracket into the desired position.
8. Hold the top wall bracket against the wall and mark the hole positions.
9. Remove the top wall bracket and drill holes in marked positions and insert the wall plugs.
10. Reposition the top wall bracket and secure in place with the screws.
11. Slide the rail through the top wall bracket, the slider and hose retainer until it meets the bottom wall bracket.
12. Replace the cover plates on the wall brackets and insert the rail cap to the top of the rail.
13. Feed the hose through the other side of the hose retainer and screw the handset onto the end of the hose.
14. Direct the handset in a safe location, turn on the shower and check for leaks.
15. Position the handset into the slider. The gap for the handset is wider at the top to hold the handset in place. Once in place, twist to position at desired angle and raise or lower the slider to desired position.

## Line Drawing (mm)



## Exploded Diagram



1. Cover plates
2. Top wall bracket
3. Top wall bracket insert
4. Rail
5. Bottom wall bracket insert
6. Bottom wall bracket
7. Rail cap
8. Slider
9. Fixing kit (screws and wall plugs)
10. Hose retainer