

AFFORDABLE HOUSING PRODUCT GUIDE



A range of quality bathroom and kitchen taps supported by first class customer service and comprehensive warranties

Why Choose us?

METHVEN
EST 1886



Methven – we make water amazing.

We believe that how a shower performs is just as important as how it looks. That's why we blend ingenious innovation with beautiful human design.

A pioneer in bathroom plumbing, we are renowned globally for breakthrough shower and tap design, product development, distinctive aesthetics with a focus on performance without compromise. Our dedication to water conservation and quality products has been recognised with a host of global awards for design and innovation.



Deva has been supplying showers and taps to the UK market for over 30 years and offers a wide range of products at the right price.

This brochure includes all the vital information you need when specifying our products and the easy to use new-look icons allow you to quickly identify each products benefits. For more information visit our websites or contact us direct.





Complete The Look

Combine the Satinjet® Avoca
Thermostatic Bath Shower Mixer
with the Avoca Cold Start Basin
Mixer to create a family friendly,
water saving bathroom

Meet the Methven Specifier Team



James Gibbard

Head of Sales

☎ 07702 126 997

✉ james.gibbard@uk.methven.com



James Roberts

Regional Specification and Social
Housing Manager - North

☎ 07968 531 612

✉ james.roberts@uk.methven.com



Sam Macdonald

Regional Specification and Social
Housing Manager - South

☎ 07715 055 502

✉ sam.macdonald@uk.methven.com



Caroline Kerr

Area Sales Manager - Scotland

☎ 07968 531 605

✉ caroline.kerr@uk.methven.com



Dennis Romo

Sales Manager - Ireland

☎ 07808 100 640

✉ dennis.romo@uk.methven.com

A commitment to nature

As a company born in the South Island of New Zealand, nature has always provided our inspiration. Though we never take it for granted, especially when it comes to water.

Pure, fresh water is a necessity of life yet increasingly scarce. That's why at Methven we make taking care of water a primary focus in every product we develop.

A shower typically accounts for around 30% of household water use. So, our innovative shower technologies have been designed to deliver a luxurious experience whilst preserving water and reducing CO2 emissions.

When you're as passionate about water as we are, making the most of it comes as second nature.



Making magic with water since 1886

Our love of water began the day George Methven began producing brass and iron hardware in New Zealand, back in 1886. Ever since, we've been captivated by its power to transform: to change our moods, lift our spirits, to make us feel refreshed and renewed.

It's a passion that has inspired generations of Methven engineers and designers in a quest to create the ultimate experience of water.

Today, we offer a range of exceptional water experiences that all share one vision. The ability to create a treat for the senses.

This is what sets Methven apart. Because when you experience Methven, you truly experience water.

Methven UK is proud to be a Carbon Neutral Company



As part of our commitment to offsetting the carbon output of our operations in order to become carbon neutral, we have achieved THG Eco Carbon Neutral status for the second year running. The process of achieving this involved analysing and accurately quantifying direct carbon output from our operations, as well as indirect emissions associated with the purchase of energy.

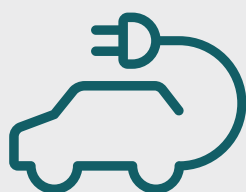
In line with requirements of the certification, we have offset our Scope 1 and Scope 2 emissions working with THG Eco to support the installation of wind turbines in India, while 101 trees have been planted in Methven's name through the THG 'more:trees' programme.

We are always looking at building a greater understanding of the environmental impact of our work in order to address and reduce it and working with THG Eco gave us a credible and easy to understand insight into the carbon emissions produced by our operations, while also allowing us to offset this through supporting their network of projects.

THG Eco works with various organisations across multiple industries, to advise and support on ways to offset and reduce Greenhouse Gas Emissions (GHG) and carbon output across Scopes 1, 2 and 3, with the aim to become Net Zero in line with the 2050 guidelines, determined by the UK Government under the Paris Agreement.



Other Initiatives



Hybrid Fleet

We have committed to switching to a hybrid-only fleet, by 2025, 90% of our fleet vehicles will be hybrid reducing our CO2 emissions.



Energy Monitoring

We monitor our energy usage on a monthly basis at our two sites – the Distribution Hub and Experience Centre and identify opportunities for improvement.



Sustainable Partnerships

We have partnered with the HUT Group to support us in achieving our Carbon Neutral status.

Waste management & recycling

For the last two years we have been a zero-to-landfill company. We work closely with specialist waste management partners to ensure that all of our waste is recycled or reused.

Recycling

We produce around 242 tonnes of waste each year and we have several initiatives to reduce, reuse and recycle our waste where possible.

In 2023



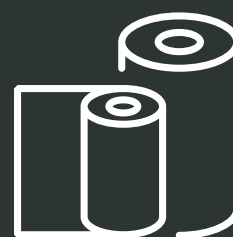
Cardboard Waste

13 tonnes of cardboard waste were recycled from our warehouse operations



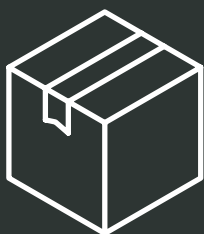
Packaging

All product packaging was fully recyclable and 70-80% made from recycled materials.



Pallet Wrap

Fully recyclable pallet wrap used – pre-stretched as well as being lighter and thinner means it uses 50% less plastic than standard wrap.



Transit Packaging

80% of our transit packaging was made from recycled materials.



Pallet Management

Broken or damaged pallets were identified and recycled by our waste management partner.



E-Waste

All redundant and outdated e-waste was securely recycled by one of our sustainable partners.

We have reduced our plastic waste from 11.7 tonnes down to 2.8 tonnes in 2 years!

Water & energy savings for homeowners

We are innovators and specialise in water saving technologies which deliver an uncompromised performance.

We are proud to hold 3 out of 6 worldwide patents for showering technologies.

METHVEN Satinjet®



Satinjet® uses twin-jet technology to create optimum water droplet size and pressure

METHVEN Aurajet™



Hidden nozzles generate individual jets of water that collide against precisely angled surfaces

Pre-fitted flow regulators



We offer a range of solutions that can limit the flow to as little as 1.7 litres per minute, helping users to reduce water consumption.

Cold Start taps



The boiler remains disengaged until purposely instructed, preventing unnecessary energy use to reduce the cost of household bills.

Unified Water Label



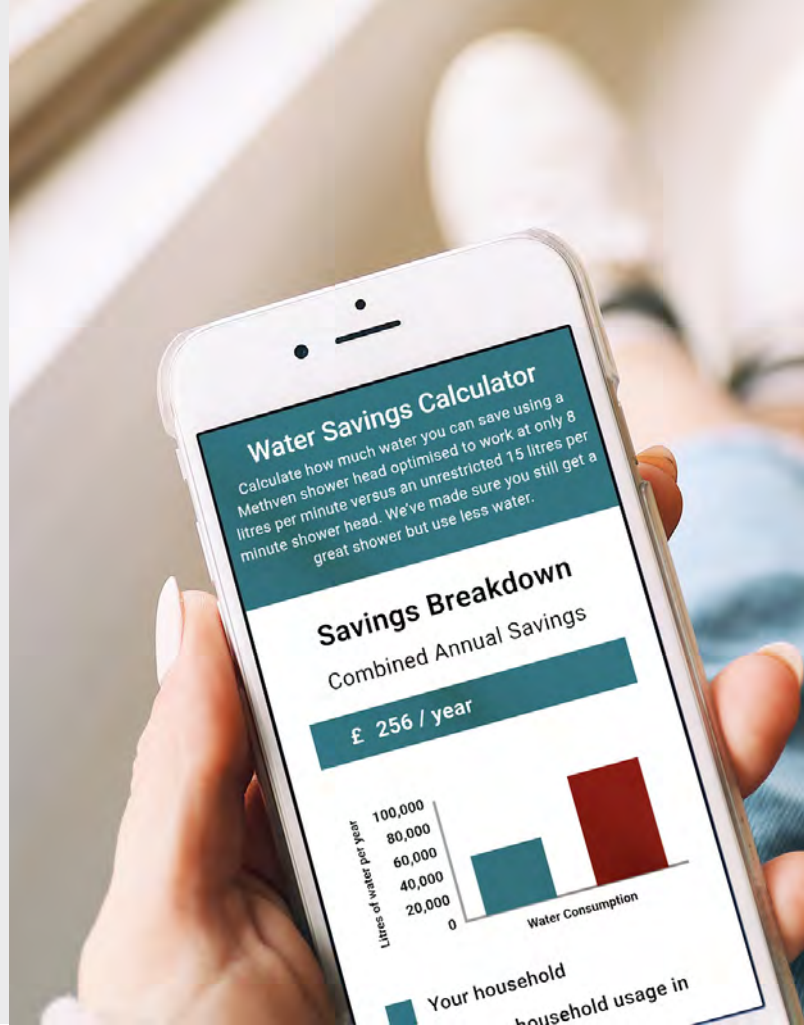
Methven supports the Unified Water Label Scheme which guarantees a clear, concise and easy to understand message about water and energy consumption for showers and tapware.




Water savings calculator

Here at Methven, we believe in making the smart choice when it comes to water-saving products. We can help homeowners and residents save hundreds of pounds a year by switching to Methven showers and tapware.

By simply switching to an Aurajet® Aio or Satinjet® shower head you could save up to **46%*** of water and energy used in your shower.

Scan to see how much you can save



Saving scenarios	Shower time (mins)	Showers per week	Users	Est max water saving* (Ltrs)	Est max energy saving** (kwh)
Active Single 	10	10	1	33,210	1,359
Retired Couple 	5	7	2	23,184	951
Young Family 	12.5	7	4	115,920	4,757





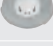

*compared to a 15 ltr/min shower head used for 48 weeks/year. **assumes 60% of water used is heated by a gas combination boiler @ 85% efficiency increasing inlet temperature from 10°C to 60°C to achieve a 40°C outlet temperature. ***based on average household of 2.4 people, reducing flow rate from 15 to 8 LPM, shower time = 6m 36s, 11 months/year, Nov'23 energy prices

Water saving flow regulators


Our flow regulators are easy to fit and will save the residents money on their water and heating bills year after year.



Shower hose flow regulators

Code	Description	
HSR 2	Flow regulator for shower hose - 2 L/min	
HSR 3	Flow regulator for shower hose - 3 L/min	
HSR 4	Flow regulator for shower hose - 4 L/min	
HSR 6	Flow regulator for shower hose - 6 L/min	
HSR 8	Flow regulator for shower hose - 8 L/min	
HSR 9	Flow regulator for shower hose - 9 L/min	



Shower head flow regulators

Code	Description	
FRHS-8	Flow regulator for shower handset - 8 L/min	

Basin & sink mixers flow regulators

Code	Description	
FR101-3	Flow regulator for Basin Pillar Taps - 3 L/min	
FR101-4	Flow regulator for Basin Pillar Taps - 4 L/min	
FR101-6	Flow regulator for Basin Pillar Taps - 6 L/min	
FRITM18-1	Flow regulator for Basin and Sink Mixers - 1 L/min	
FR113-4	Flow regulator for Basin and Sink Mixers - 4 L/min	
FR113-5	Flow regulator for Basin and Sink Mixers - 5 L/min	

Bath shower mixer flow regulators

Code	Description	
FR106-12	Flow regulator for Bath Shower Mixers above 1.0 Bar	
FR106-7	Flow regulator for Bath Shower Mixers above 1.0 Bar	

Customer first

From national and regional housing associations to city councils, we have worked with and supported affordable and social housing providers of every kind.

We understand the needs of procurement teams we support and as a trusted specification partner to them we offer sound, expert advice which ticks the boxes of function and style at the right price.

Whether you are looking for showers or tapware products for a new build or affordable housing project, or you need easy-to-fit, durable replacements as part of your maintenance work, we can support you to select the best products for your housing stock.



Whether it is for order updates, product information or technical support, our UK based Customer Care team are on hand to support you.

Freephone: 0800 195 1602

Email: sales@uk.methven.com



Confidence in us

The confidence we have in our products mean we are delighted to offer a comprehensive set of warranties for all of our products in our Methven and Deva brands.



METHVEN

Methven Brand Warranty (subject to the terms and conditions)

Product	Parts	Labour
Aurajet® Shower Heads & Handsets	Lifetime Replacement*	
Satinjet® & Airstream Shower Heads & Handsets	Lifetime Replacement*	
Tapware**	20 Years	2 Years
Thermostatic Valves	5 Years	2 Years
Shower Accessories	1 Year	
Replacement Components & Parts	1 Year	



Deva by METHVEN

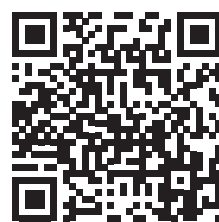
Deva by Methven Brand Warranty (subject to the terms and conditions)

Product	Parts	Labour
Tapware**	12 Years	2 Years
Shower Valves	5 Years	2 Years
Shower Accessories	1 Year	
Electrical Products (including sensor taps)	2 Years	2 Years
Replacement Components and Parts	1 Year	
Finish		
Outer Coloured Finishes (excluding Chrome)	5 Years	2 Years

* For the lifetime of the original purchaser ** All other finishes 5 Years Parts, 2 Years Labour. Any product that has not been fitted in a private dwelling located in the United Kingdom or the Republic of Ireland will be subject to our Commercial Warranty of 12 months parts and labour, as set out in Condition 8 of Methven's Terms and Conditions of Sale. For full terms and conditions see www.methven.com

Easy fit shower rail

- Save time by using existing holes
- No tools required
- Simply twist and lock brackets into place
- Quick and simple installation
- Available with a choice of Methven technology handsets



SCAN ME

HOW TO
INSTALL THE
METHVEN
EASY FIT RAIL



Part G compliant

Part G contains guidance on water safety, water efficiency and hygiene. Since 2010, Part G Water Calculations are a legal requirement to prove that a new build, extension or conversion is water efficient. This means that the home must not use more than 125 litres of potable water per person per day. From 2025 this is changing to 110 litres per person per day.



Left: TBV008
Right: TBV010

Family safe

Thermostatic products are an integral part of the Methven and Deva by Methven ranges.

We use third party thermostatic valve accreditation partners to independently test the suitability of product against current legislation. Approval at TMV2 standard means the product complies with BS EN 1111/1287 and indicates suitability for use in the domestic home whilst approval at TMV3 meets NHS D 08 and indicates suitability for commercial installations such as care homes and hospitals.



Essential taps & mixers

- Vitality ranges – choice of lever or round handles
- Lever basin and bath taps feature quarter turn ceramic disc handles for smooth operation
- Easily identifiable hot and cold water selection
- Complete with brass back nuts for durability
- WRAS approved



Family safe bathing

- Certified for ultimate safety
- Thermostatic valves with 38°C temperature stop (with override)
- Available with patented Satinjet® technology in the shower head for ultimate water efficiency
- Range of easy to operate lever and paddle handles
- Option for easy fit shower rail with adjustable brackets – ideal for retrofit
- Fit a bath shower mixer rather than an electric shower – no need for a Part P plumber or the installation of separate bath taps

Inclusively designed bathroom taps & mixers

- Modern & contemporary design
- WRAS and BS standards for complete peace of mind
- Easy to operate
- Basin mixers include press top waste



Your Requirements



Repair & maintenance

Repairs and maintenance require significant investment from your annual budget to ensure properties remain safe, comfortable and efficient for the residents who call them home. To help you carry out responsive works, we have ensured that our products are simple to install. This means that repairs and replacements can be carried out with less disruption to your tenants.

Planned works

With authorities deriving an annual scheduled program of 'planned works', it is important that Methven and Deva by Methven can provide a comprehensive range of products that are suitable for all types of properties. The commitment to plan and perform renovations to your housing stock relies on a partnership approach. Working with us means you have reassurance of quality products that meet all compliance and legislative requirements. Methven has developed products that offer ease of ongoing maintenance so that your programme of planned works ensures that buildings stay in good repair and condition.



New build

New builds can be challenging for social housing providers, when budgets are modest yet expectations are high. We offer a range of approved bathroom and kitchen products which are ideal for new build projects. All our products are simple and safe to use making them perfect for your tenants, young and old.



Avoca Collection

Inclusively designed with ease of use and functionality in mind, The Avoca collection also includes innovative showering technology to use less water.

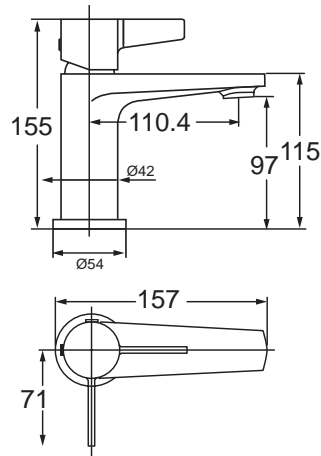
Methven Taps

Avoca



METHVEN
EST 1886

Avoca Cold Start Basin Mixer



- Save on energy bills with cold start technology
- Default start position of cold means no unnecessary engagement of the hot water system
- Directional aerator prevents splashback
- Includes easy clean domed waste
- Fitted with a 4lpm flow regulator



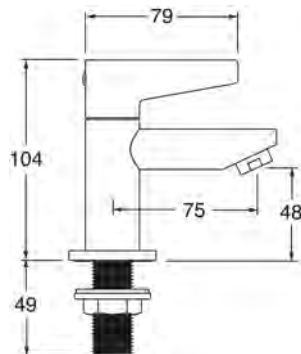
INLET CONNECTIONS:
½" BSP

WORKING PRESSURE:
0.5 - 5.0 bar

● AVBCP Chrome

Ex.VAT **£135.00** Inc.VAT **£162.00**

Avoca Basin Taps



- Easy to use lever handles
- Fitted with a 4lpm flow regulator



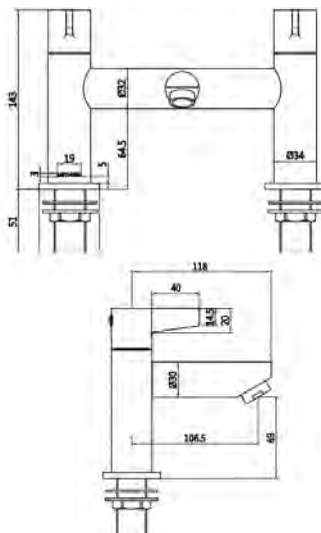
INLET CONNECTIONS:
½" BSP

WORKING PRESSURE:
0.3 - 5.0 bar

● AVBTCP Chrome

Ex.VAT **£105.00** Inc.VAT **£126.00**

Avoca Bath Filler



- Easy to use lever handles



INLET CONNECTIONS:
¾" BSP

WORKING PRESSURE:
0.1 - 5.0 bar

● AVBFCP Chrome

Ex.VAT **£195.00** Inc.VAT **£234.00**

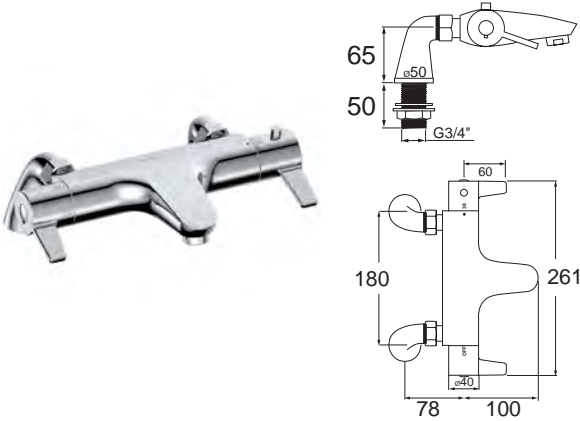
Methven Taps/Shower Avoca



METHVEN
EST 1886

Avoca Thermostatic Bath Filler

- Thermostatic control with 38°C temperature hot stop (with override)
- Easy to use lever handles
- Brass backnuts for secure installation



INLET CONNECTIONS:
3/4" BSP

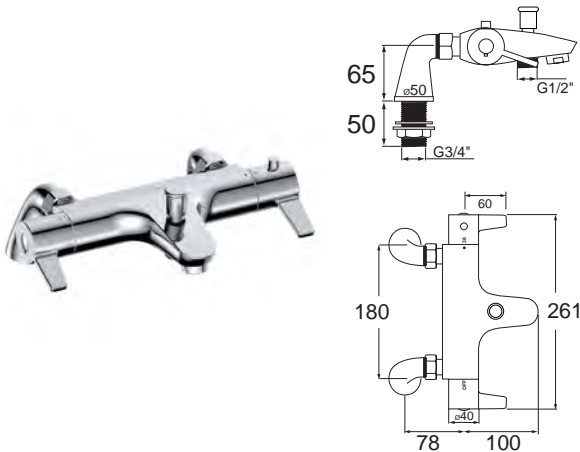
WORKING PRESSURE:
0.5 - 5.0 bar

● AVTBF Chrome

Ex.VAT **£255.00** Inc.VAT **£306.00**

Avoca Thermostatic Bath Shower Mixer

- Thermostatic control with 38°C temperature hot stop (with override)
- Easy to use lever handles
- Safety hot stop function prevents accidental scalding



INLET CONNECTIONS:
3/4" BSP

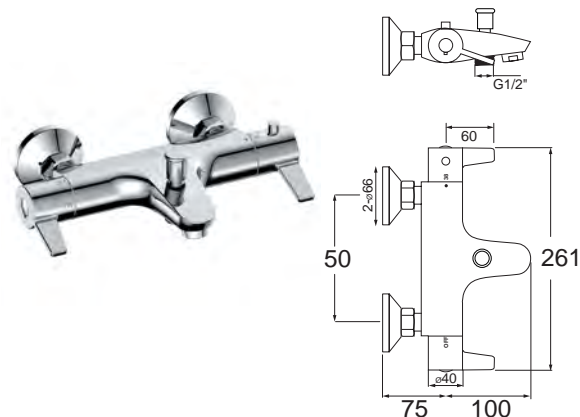
WORKING PRESSURE:
0.5 - 5.0 bar

● AVTBSMNK Chrome

Ex.VAT **£305.23** Inc.VAT **£366.28**

Avoca Thermostatic Wall Mounted Bath Shower Mixer

- Thermostatic control with 38°C temperature hot stop (with override)
- Easy to use lever handles
- Safety hot stop function prevents accidental scalding
- Includes wall mounting brackets and shrouds



INLET CONNECTIONS:
3/4" BSP

WORKING PRESSURE:
0.5 - 5.0 bar

● AVTBSMWMB0 Chrome

Ex.VAT **£286.91** Inc.VAT **£344.29**

Methven Taps/Shower

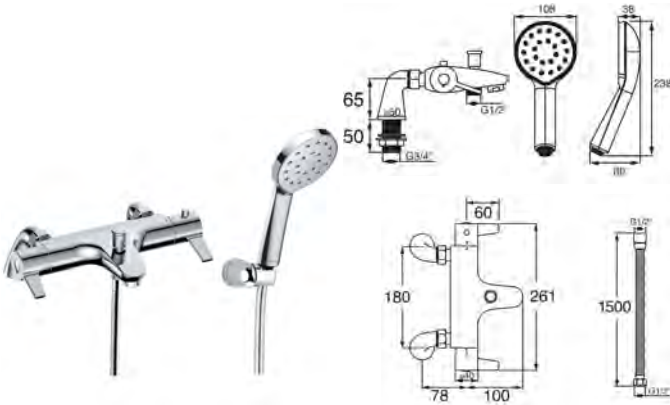
Avoca



METHVEN
EST 1886

Satinjet® Avoca Thermostatic Bath Shower Mixer

- Thermostatic control with 38°C temperature hot stop (with override)
- Complete with Kiri MK2 Satinjet handset, wall bracket & 1.5m metal hose
- Patented Satinjet showering technology is optimised at 8 litres per minute
- Water efficient without compromising showering performance
- Safety hot stop function prevents accidental scalding



INLET CONNECTIONS:
3/4" BSP

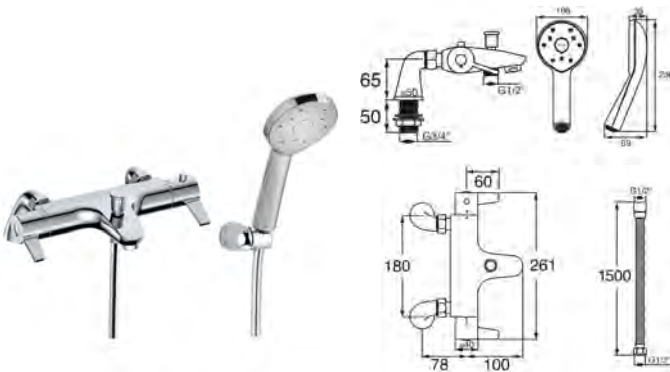
WORKING PRESSURE:
0.5 - 5.0 bar

● AVTBSM Chrome

Ex.VAT £345.78 Inc.VAT £414.94

Satinjet® Avoca Thermostatic Low Flow Bath Shower Mixer

- Thermostatic control with 38°C temperature hot stop (with override)
- Complete with Kiri MK2 low flow Satinjet handset, wall bracket & 1.5m metal hose
- Patented Satinjet showering technology is optimised at 5.5 litres per minute
- Water efficient without compromising showering performance
- Safety hot stop function prevents accidental scalding



INLET CONNECTIONS:
3/4" BSP

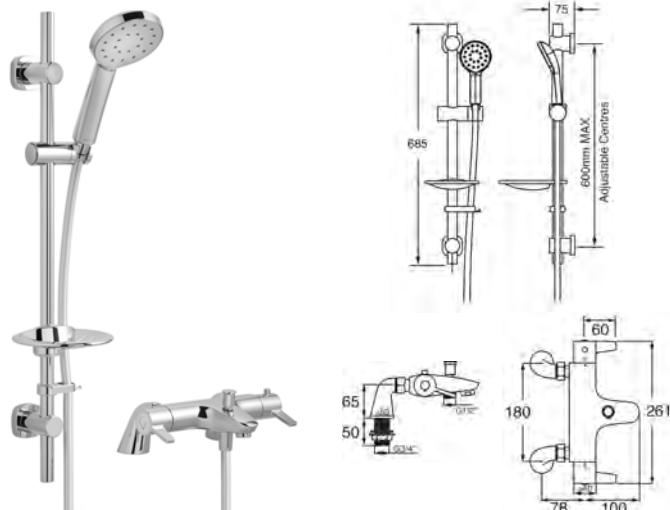
WORKING PRESSURE:
1.0 - 5.0 bar

● AVTBSMFL Chrome

Ex.VAT £345.78 Inc.VAT £414.94

Satinjet® Avoca Thermostatic Bath Shower Mixer

- Water efficient without compromising showering performance
- Complete with Satinjet Kiri handset & easy fit rail kit
- Patented Satinjet showering technology is optimised at 8 litres per minute
- Thermostatic control with 38°C temperature hot stop (with override)
- Easy to use lever handles
- Lifetime warranty on handset



INLET CONNECTIONS:
3/4" BSP

WORKING PRESSURE:
0.5 - 5.0 bar

● AVTBSMF Chrome

Ex.VAT £385.80 Inc.VAT £462.96

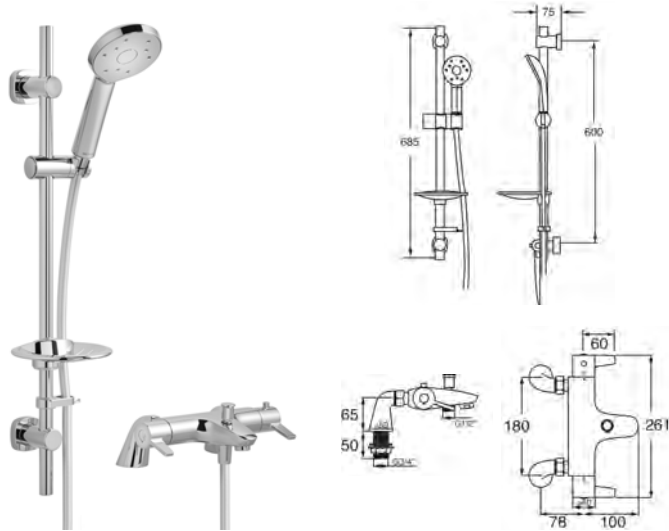
Methven Showers

Avoca



METHVEN
EST 1886

Satinjet® Avoca Thermostatic Low Flow Bath Shower Mixer



- Water efficient without compromising showering performance
- Complete with Satinjet Kiri handset & easy fit rail kit
- Patented Satinjet showering technology is optimised at 5.5 litres per minute
- Thermostatic control with 38°C temperature hot stop (with override)
- Easy to use lever handles
- Lifetime warranty on handset

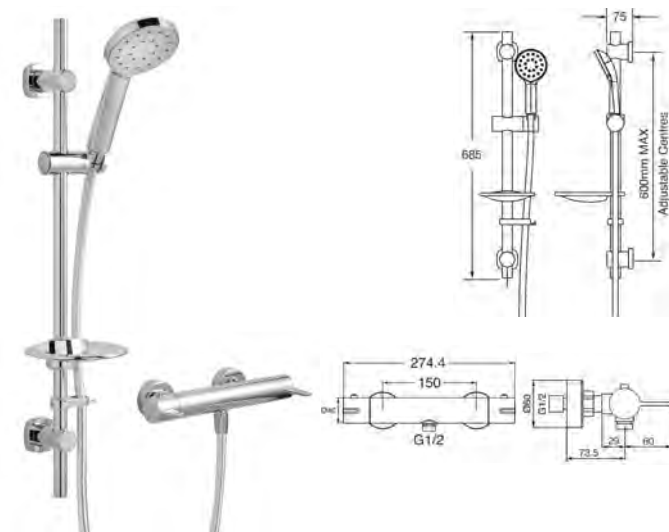


INLET CONNECTIONS:
3/4" BSP

WORKING PRESSURE:
1.0 - 5.0 bar

● **AVTBSMEFLF** Chrome Ex.VAT **£385.80** Inc.VAT **£462.96**

Satinjet® Avoca Cool Touch Bar Shower With Easy Fit Kit



- Complete with Satinjet Kiri handset & kit optimised at 8 litres per minute
- Water efficient without compromising showering performance
- Thermostatic control with 38°C temperature hot stop (with override)
- Valve is safe and cool to touch making it ideal for families
- Includes easy fit connections
- Easy to use lever handles



VALVE:
Thermostatic

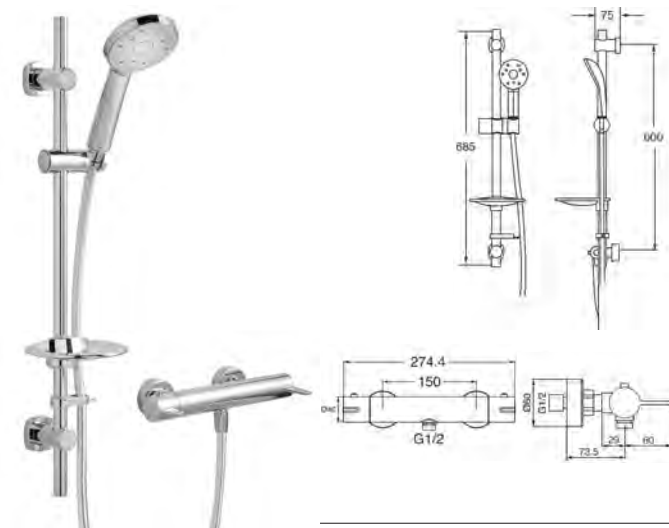
INLET CONNECTIONS:
15mm Compression

OPERATION:
Separate flow and temperature controls

WORKING PRESSURE:
0.3 - 5.0 bar

● **AVCTS** Chrome Ex.VAT **£300.45** Inc.VAT **£360.54**

Satinjet® Avoca Cool Touch Low Flow Bar Shower With Easy Fit Kit



- Complete with Satinjet Kiri handset & kit optimised at 5.5 litres per minute
- Water efficient without compromising showering performance
- Thermostatic control with 38°C temperature hot stop (with override)
- Valve is safe and cool to touch making it ideal for families
- Includes easy fit connections
- Easy to use lever handles



VALVE:
Thermostatic

INLET CONNECTIONS:
15mm Compression

OPERATION:
Separate flow and temperature controls

WORKING PRESSURE:
1.0 - 5.0 bar

● **AVCTSFLF** Chrome Ex.VAT **£300.45** Inc.VAT **£360.54**

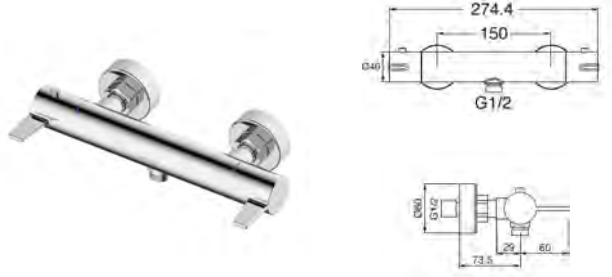
Methven Showers Repair & Maintenance



METHVEN
EST 1886

Avoca Cool Touch Bar Shower

- Thermostatic control with 38°C temperature hot stop (with override)
- Valve is safe and cool to touch making it ideal for families
- Includes easy fit connections
- Easy to use lever handles



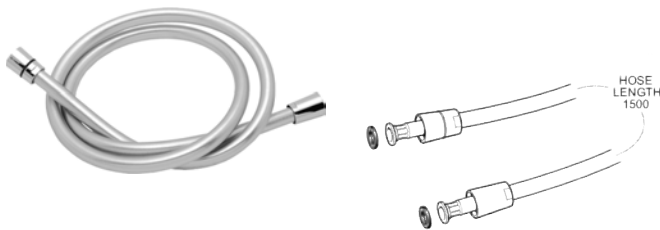
INLET CONNECTIONS:
15mm Compression

WORKING PRESSURE:
0.2 - 5.0 bar

● **AVCTBV** Chrome Ex.VAT **£151.25** Inc.VAT **£181.50**

Smooth Shower Hose

- Easy clean
- Anti-twist

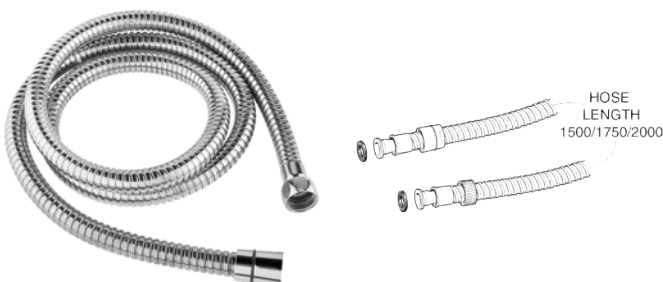


INLET CONNECTIONS:
½" BSP

● **HOS1.5PVS07** Chrome (1.5m) Ex.VAT **£33.99** Inc.VAT **£40.79**
● **HOSE2.0** Chrome (2m) Ex.VAT **£39.52** Inc.VAT **£47.42**

Double Interlocked Metal Shower Hose

- Double interlocked construction
- Anti-twist



INLET CONNECTIONS:
½" BSP

● **HOS1.5CPS01** Chrome (1.5m) Ex.VAT **£15.82** Inc.VAT **£18.98**
● **HOS1.75CPS02** Chrome (1.75m) Ex.VAT **£23.80** Inc.VAT **£28.56**
● **HOSE2.0CPS03** Chrome (2m) Ex.VAT **£30.04** Inc.VAT **£36.05**

Methven Taps

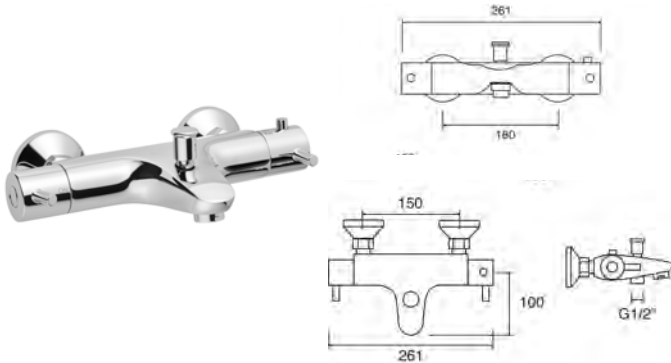
Thermostatic



METHVEN
EST 1886

Thermostatic Wall Mounted Bath Shower Mixer

- Thermostatic valve with 38°C temperature stop (with override)
- Easy to use lever handles
- Includes mounting plates



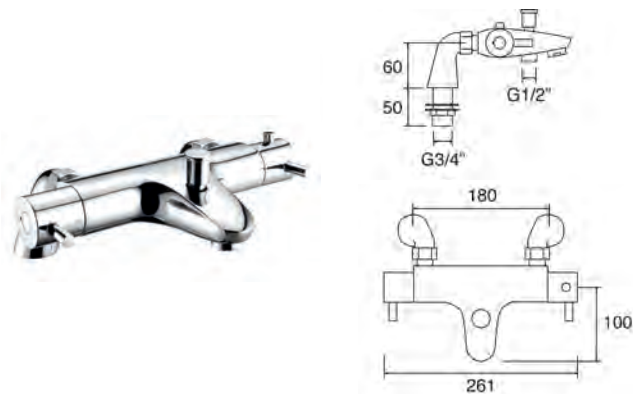
INLET CONNECTIONS:
3/4" BSP

WORKING PRESSURE:
0.5 - 5.0 bar

● **TLVBSMWMO** Chrome Ex.VAT **£286.91** Inc.VAT **£344.29**

Thermostatic Bath Shower Mixer

- Thermostatic valve with 38°C temperature stop (with override)
- Easy to use lever handles
- Brass backnuts for secure installation



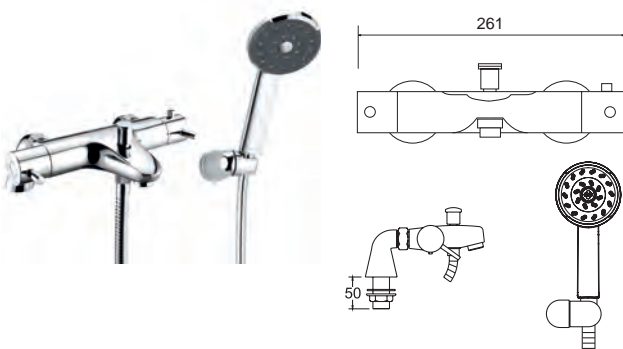
INLET CONNECTIONS:
3/4" BSP

WORKING PRESSURE:
0.5 - 5.0 bar

● **TLVBSMNK** Chrome Ex.VAT **£305.23** Inc.VAT **£366.28**

Satinjet® Thermostatic Bath Shower Mixer

- Complete with Satinjet Kiri handset & wall bracket
- Water efficient without compromising showering performance
- Patented Satinjet showering technology is optimised at 8 litres per minute
- Lifetime warranty on the handset
- Thermostatic valve with 38°C temperature stop (with override)
- Safety hot stop function prevents accidental scalding



INLET CONNECTIONS:
3/4" BSP

WORKING PRESSURE:
0.5 - 5.0 bar

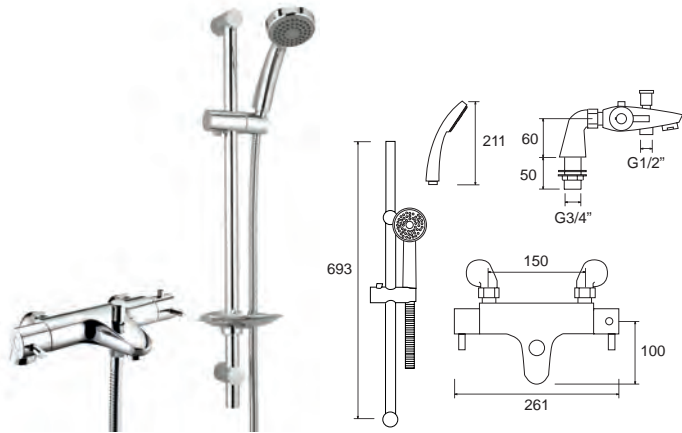
● **TLVBSM** Chrome & Graphite Ex.VAT **£376.03** Inc.VAT **£451.24**

Methven Taps Thermostatic



METHVEN
EST 1886

Thermostatic Bath Shower Mixer



- Complete with single mode handset
- Thermostatic valve with 38°C temperature stop (with override)
- Adjustable riser rail - ideal for retrofit
- Easy to use lever handles



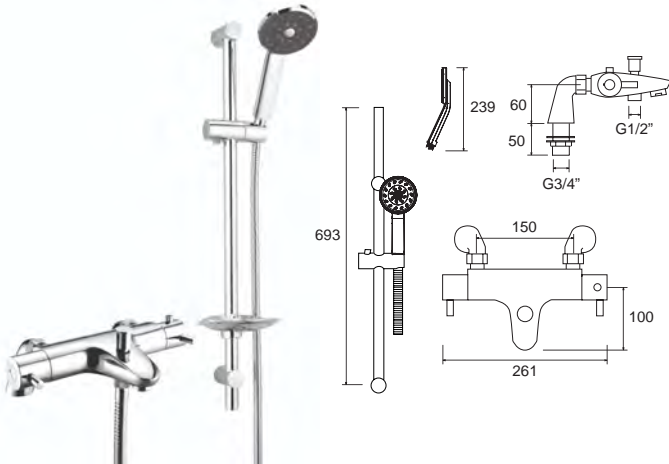
INLET CONNECTIONS:
3/4" BSP

WORKING PRESSURE:
0.5 - 5.0 bar

● **TLVBSM1B** Chrome

Ex.VAT **£427.32** Inc.VAT **£512.78**

Satinjet® Thermostatic Bath Shower Mixer



- Complete with Satinjet Kiri handset & wall bracket
- Water efficient without compromising showering performance
- Patented Satinjet showering technology is optimised at 8 litres per minute
- Lifetime warranty on the handset
- Thermostatic valve with 38°C temperature stop (with override)
- Adjustable riser rail - ideal for retrofit



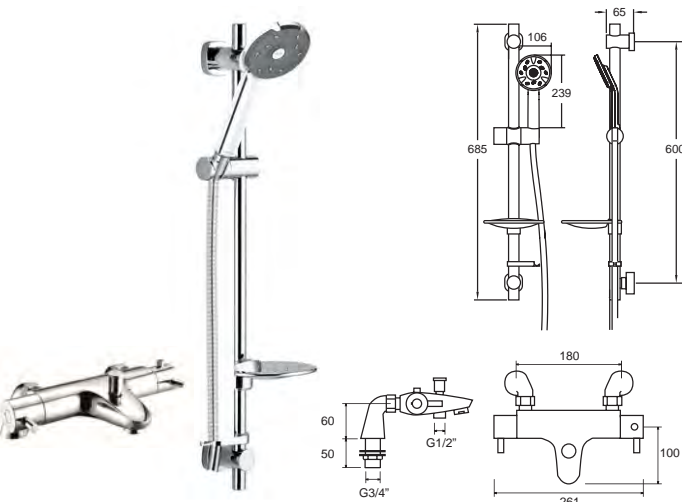
INLET CONNECTIONS:
3/4" BSP

WORKING PRESSURE:
0.5 - 5.0 bar

● **TLVBSM2B** Chrome & Graphite

Ex.VAT **£443.19** Inc.VAT **£531.83**

Satinjet® Thermostatic Low Flow Bath Shower Mixer



- Complete with Kiri Low Flow Satinjet handset & kit
- Water efficient without compromising showering performance
- Patented Satinjet showering technology is optimised at 5.5 litres per minute
- Thermostatic valve with 38°C temperature stop (with override)
- Easy to fit shower rail - simply twist and lock brackets into place
- Lifetime warranty on handset



INLET CONNECTIONS:
3/4" BSP

WORKING PRESSURE:
1.0 - 5.0 bar

● **TLVFLF2** Chrome & Graphite

Ex.VAT **£448.45** Inc.VAT **£538.14**

Deva Bathroom Taps

Dynamic



Dynamic Thermostatic Bath Shower Mixer



- 1/4 turn ceramic disc handles ensure a smooth operation
- Thermostatic valve with 38°C temperature stop (with override)
- Comes complete with single mode shower handset and wall bracket
- Double interlocked 1.5m hose



INLET CONNECTIONS:

3/4" BSP

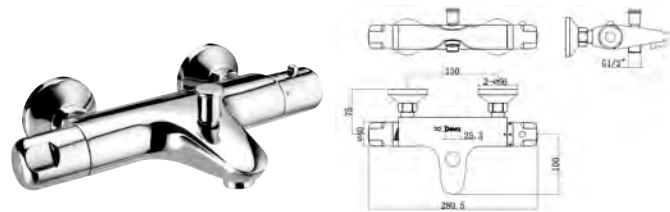
WORKING PRESSURE:

0.3 - 5.0 bar

● **DYN 106** Chrome

Ex.VAT **£331.93** Inc.VAT **£398.32**

Dynamic Wall Mounted Thermostatic Bath Shower Mixer



- 1/4 turn ceramic disc handles ensure a smooth operation
- Thermostatic valve with 38°C temperature stop (with override)
- Brass backnuts for secure installation



INLET CONNECTIONS:

3/4" BSP

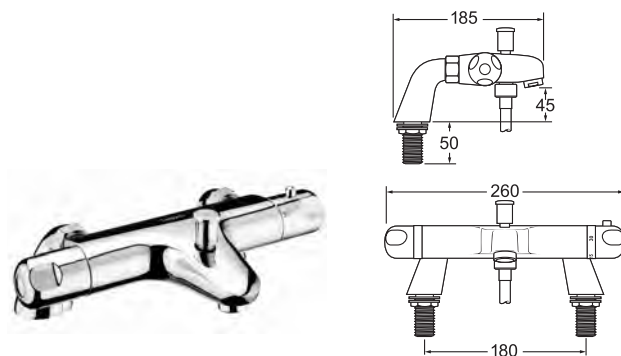
WORKING PRESSURE:

0.3 - 5.0 bar

● **DYN106 B.O.** Chrome

Ex.VAT **£221.49** Inc.VAT **£265.79**

Thermostatic Bath Shower Mixer



- Thermostatic valve with 38°C temperature stop (with override)
- Brass backnuts for secure installation



INLET CONNECTIONS:

3/4" BSP

WORKING PRESSURE:

0.3 - 5.0 bar

● **DYN106NK** Chrome

Ex.VAT **£262.03** Inc.VAT **£314.44**

Insignia Collection

Introducing the Insignia Collection, featuring a stylish peg lever design for effortless use. With its sleek round body, these taps are the perfect complement to any modern bathroom, combining both aesthetics and functionality seamlessly.

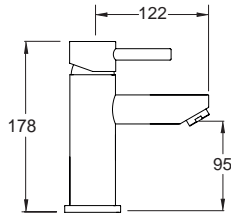


Deva Bathroom Taps

Insignia



Insignia Basin Mixer & Press Top Waste



- Ceramic cartridge for smooth operation and longer life
- Tilt and turn temperature and flow control
- Comes complete with press top waste
- Products which are easy to use by all the family



INLET CONNECTIONS:

½" BSP

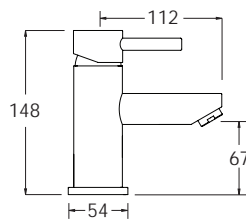
WORKING PRESSURE:

0.1 - 5.0 bar

● **INS113** Chrome

Ex.VAT **£132.76** Inc.VAT **£159.31**

Insignia Basin Mixer 4lpm & Press Top Waste



- Ceramic cartridge for smooth operation and longer life
- Tilt and turn temperature and flow control
- Fitted with a 4L/Min flow regulator
- Comes complete with press top waste
- Products which are easy to use by all the family



INLET CONNECTIONS:

½" BSP

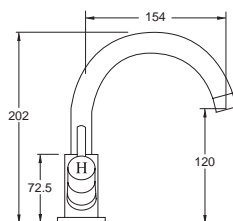
WORKING PRESSURE:

0.5 - 5.0 bar

● **INS2313** Chrome

Ex.VAT **£106.21** Inc.VAT **£127.45**

Insignia Basin Mixer & Press Top Waste



- 1/4 turn ceramic disc handles ensure a smooth operation
- Complete with press top waste
- Products which are easy to use by all the family



INLET CONNECTIONS:

½" BSP

WORKING PRESSURE:

0.1 - 5.0 bar

● **INS120** Chrome

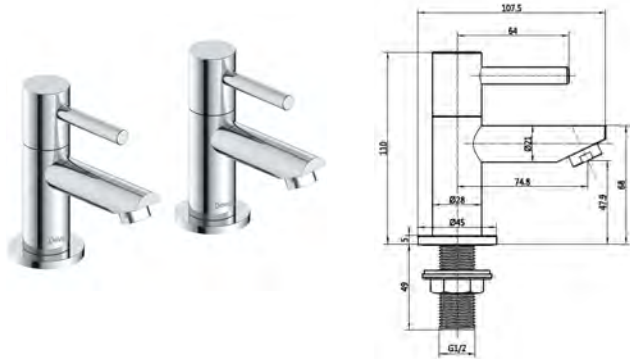
Ex.VAT **£132.76** Inc.VAT **£159.31**

Deva Bathroom Taps

Insignia



Insignia Basin Taps



- Suitable for high & low pressure systems
- 1/4 turn ceramic handles ensure a smooth operation
- Hot & cold temperature indicator
- Single flow taps
- Pre-fitted flow straightener
- Achieve 4 litres per minute with INS101-4



INLET CONNECTIONS:

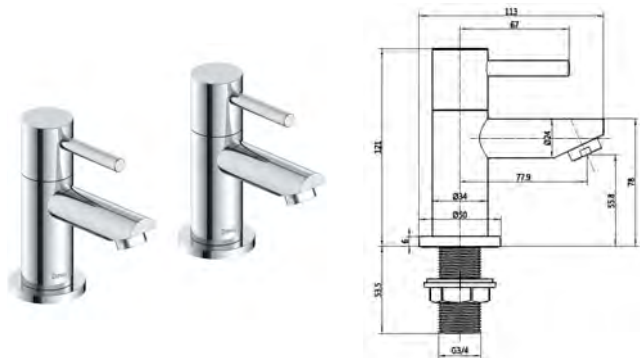
1/2" BSP

WORKING PRESSURE:

0.1 - 5.0 bar

● INS101	Chrome	Ex.VAT	£99.57	Inc.VAT	£119.48
● INS101-4	Chrome	Ex.VAT	£99.57	Inc.VAT	£119.48

Insignia Bath Taps



- Suitable for high & low pressure systems
- 1/4 turn ceramic handles ensure a smooth operation
- H & C Temperature Indicator
- Single flow taps
- Pre-fitted flow straightener



INLET CONNECTIONS:

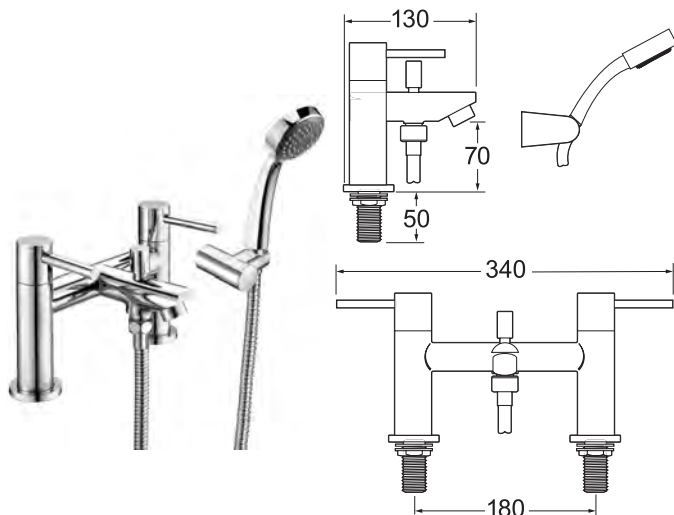
3/4" BSP

WORKING PRESSURE:

0.1 - 5.0 bar

● INS102	Chrome	Ex.VAT	£116.19	Inc.VAT	£139.43
----------	--------	--------	---------	---------	---------

Insignia Bath Shower Mixer



- Comes complete with single mode shower kit and wall bracket
- 1/4 turn ceramic disc handles ensure a smooth operation and longer life
- Accessible long lever handles



INLET CONNECTIONS:

3/4" BSP

WORKING PRESSURE:

0.1 - 5.0 bar

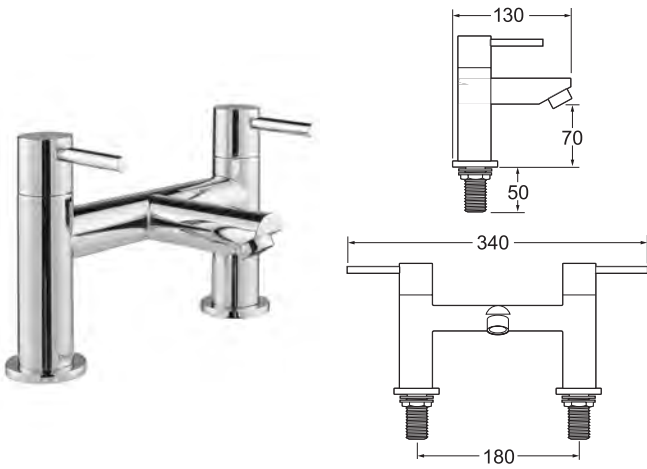
● INS106	Chrome	Ex.VAT	£207.85	Inc.VAT	£249.42
----------	--------	--------	---------	---------	---------

Deva Bathroom Taps Insignia



Insignia Bath Filler

- 1/4 turn ceramic disc handles ensure a smooth operation
- Accessible long lever handles



INLET CONNECTIONS:
3/4" BSP

WORKING PRESSURE:
0.1 - 5.0 bar

● **INS108** Chrome

Ex.VAT **£182.55** Inc.VAT **£219.06**



A black showerhead and faucet set is shown against a white marble herringbone tile wall. The showerhead is at the top, and the faucet is at the bottom. The tiles are arranged in a herringbone pattern and have a white marble pattern with gold-colored grout. The showerhead and faucet are both in a matte black finish. The showerhead has a circular face with many small holes. The faucet has a central spout and two side handles. The brand name 'Daya' is visible on both the showerhead and the faucet. A black shower hose connects the showerhead to the faucet. In the bottom right corner, there is a dark blue soap dispenser and a white loofah. A white towel is visible in the bottom left corner.

Ethos Collection

The Ethos collection features a contemporary design with soft round edges. Available in smart chrome or matte black finish, it will suit any traditional or modern bathroom.

Deva Bathroom Taps

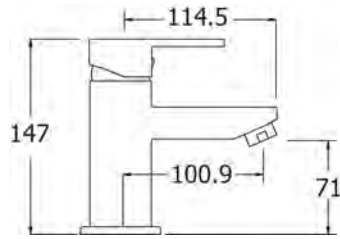
Ethos



5 year warranty on non-chrome finishes



Ethos Basin Mixer & Press Top Waste



- Ceramic cartridge for smooth operation
- Tilt and turn temperature and flow control
- Comes complete with press top waste
- Products which are easy to use by all the family

INLET CONNECTIONS:

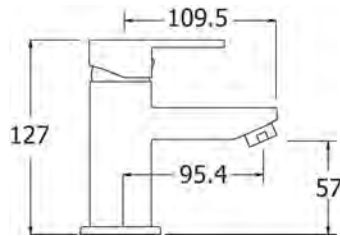
½" BSP

WORKING PRESSURE:

0.1 - 5.0 bar

● ETH113	Chrome	Ex.VAT £107.34	Inc.VAT £128.81
● ETH113BK	Matte Black	Ex.VAT £123.44	Inc.VAT £148.13

Ethos Mini Basin Mixer



- Ceramic cartridge for smooth operation and longer life
- Tilt and turn temperature and flow control
- Products which are easy to use by all the family
- Matte black mixer includes press top waste

INLET CONNECTIONS:

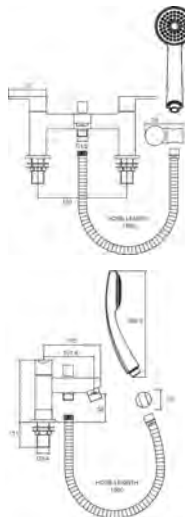
½" BSP

WORKING PRESSURE:

0.1 - 5.0 bar

● ETH313	Chrome	Ex.VAT £78.59	Inc.VAT £94.31
● ETH313BK	Matte Black	Ex.VAT £90.38	Inc.VAT £108.46

Ethos Bath Shower Mixer



- Comes complete with single mode handset and wall bracket
- 1/4 turn ceramic handles ensure a smooth operation
- Products which are easy to use by all the family

INLET CONNECTIONS:

¾" BSP

WORKING PRESSURE:

0.3 - 5.0 bar

● ETH106	Chrome	Ex.VAT £193.23	Inc.VAT £231.88
● ETH106BK	Matte Black	Ex.VAT £222.21	Inc.VAT £266.65

Deva Bathroom Taps

Ethos



5 year warranty on non-chrome finishes



Ethos Bath Filler

- 1/4 turn ceramic handles ensure a smooth operation
- Products which are easy to use by all the family



INLET CONNECTIONS:

3/4" BSP

WORKING PRESSURE:

0.3 - 5.0 bar

- | | | | |
|------------|-------------|-----------------------|------------------------|
| ● ETH108 | Chrome | Ex.VAT £150.30 | Inc.VAT £180.36 |
| ● ETH108BK | Matte Black | Ex.VAT £172.85 | Inc.VAT £207.42 |



Vitality Collection

The Vitality taps and mixers offer practical, modern designs at value for money price points. These high quality fittings are suitable for all plumbing systems and are backed by a 12 year warranty and fully WRAS approved.



Deva Bathroom Taps

Vitality Lever



Vitality Lever Basin Mixer & Press Top Waste



- 1/4 turn ceramic disc handles ensure a smooth operation
- Complete with press top waste
- Easy maintenance
- Easy identifiable hot and cold water selection
- Ideal for any application requiring simple lever operation
- Suitable for high & low pressure systems
- Brass backnuts



INLET CONNECTIONS:

1/2" BSP

WORKING PRESSURE:

0.1 - 5.0 bar

● VL113 Chrome

Ex.VAT £95.00 Inc.VAT £114.00

Vitality Lever Basin Mixer & Press Top Waste



- Suitable for high & low pressure systems
- 40mm ceramic cartridge
- Red & blue temperature indicator
- Single flow mono
- Pre-fitted flow straightener



INLET CONNECTIONS:

1/2" BSP

WORKING PRESSURE:

0.1 - 5.0 bar

● VL120 Chrome

Ex.VAT £95.00 Inc.VAT £114.00

Vitality Lever Basin Taps



- 1/4 turn ceramic disc handles ensure a smooth operation
- Brass backnuts
- Easy maintenance
- Easy identifiable hot and cold water selection
- Ideal for any application requiring simple lever operation
- Suitable for high & low pressure systems



INLET CONNECTIONS:

1/2" BSP

WORKING PRESSURE:

0.1 - 5.0 bar

● VL101 Chrome

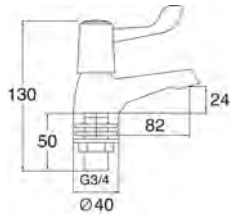
Ex.VAT £47.42 Inc.VAT £56.90

Deva Bathroom Taps

Vitality Lever



Vitality Lever Bath Taps



- 1/4 turn ceramic disc handles ensure a smooth operation
- Brass backnuts
- Easy maintenance
- Easy identifiable hot and cold water selection
- Ideal for any application requiring simple lever operation
- Suitable for high & low pressure systems



INLET CONNECTIONS:

3/4" BSP

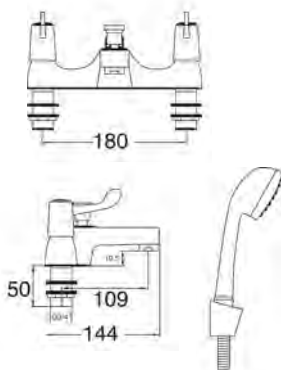
WORKING PRESSURE:

0.2 - 5.0 bar

● VL102 Chrome

Ex.VAT £50.38 Inc.VAT £60.46

Vitality Lever Bath Shower Mixer



- 1/4 turn ceramic disc handles ensure a smooth operation
- Comes complete with single mode handset, 1.5m shower hose and wall bracket
- Brass backnuts
- Easy maintenance
- Easy identifiable hot and cold water selection
- Ideal for any application requiring simple lever operation



INLET CONNECTIONS:

3/4" BSP

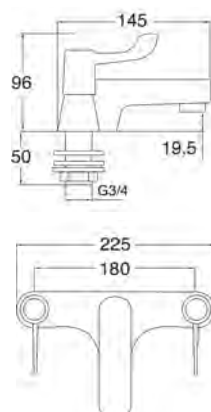
WORKING PRESSURE:

0.1 - 5.0 bar

● VL106 Chrome

Ex.VAT £142.00 Inc.VAT £170.40

Vitality Lever Bath Filler



- 1/4 turn ceramic disc handles ensure a smooth operation
- Brass backnuts
- Easy maintenance
- Easy identifiable hot and cold water selection
- Ideal for any application requiring simple lever operation
- Suitable for high & low pressure systems



INLET CONNECTIONS:

3/4" BSP

WORKING PRESSURE:

0.1 - 5.0 bar

● VL108 Chrome

Ex.VAT £115.00 Inc.VAT £138.00

Deva Bathroom Taps

Vitality Round



Vitality Round Basin Mixer & Press Top Waste



- Full turn operation
- Complete with press top waste
- Easy maintenance
- Easy identifiable hot and cold water selection
- Suitable for high & low pressure systems



INLET CONNECTIONS:

½" BSP

WORKING PRESSURE:

0.1 - 5.0 bar

● **VR113** Chrome

Ex.VAT **£70.00** Inc.VAT **£84.00**

Vitality Round Basin Taps



- Full turn operation
- Brass backnuts
- Easy maintenance
- Easy identifiable hot and cold water selection
- Suitable for high & low pressure systems



INLET CONNECTIONS:

½" BSP

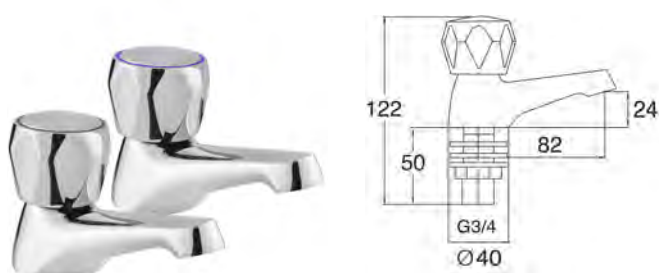
WORKING PRESSURE:

0.1 - 5.0 bar

● **VR101** Chrome

Ex.VAT **£30.04** Inc.VAT **£36.05**

Vitality Round Bath Taps



- Full turn operation
- Brass backnuts
- Easy maintenance
- Easy identifiable hot and cold water selection
- Suitable for high & low pressure systems



INLET CONNECTIONS:

¾" BSP

WORKING PRESSURE:

0.1 - 5.0 bar

● **VR102** Chrome

Ex.VAT **£32.42** Inc.VAT **£38.90**

Deva Bathroom Taps

Vitality Round



Vitality Round Bath Shower Mixer



- Full turn operation
- Comes complete with single mode handset, 1.5m shower hose and wall bracket
- Brass backnuts
- Easy maintenance
- Easy identifiable hot and cold water selection
- Suitable for high & low pressure systems



INLET CONNECTIONS:

3/4" BSP

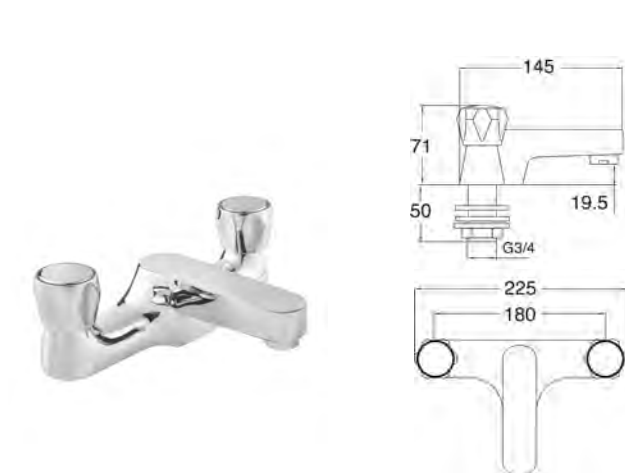
WORKING PRESSURE:

0.1 - 5.0 bar

● **VR106** Chrome

Ex.VAT **£102.00** Inc.VAT **£122.40**

Vitality Round Bath Filler



- Full turn operation
- Brass backnuts
- Easy maintenance
- Easy identifiable hot and cold water selection
- Suitable for high & low pressure systems



INLET CONNECTIONS:

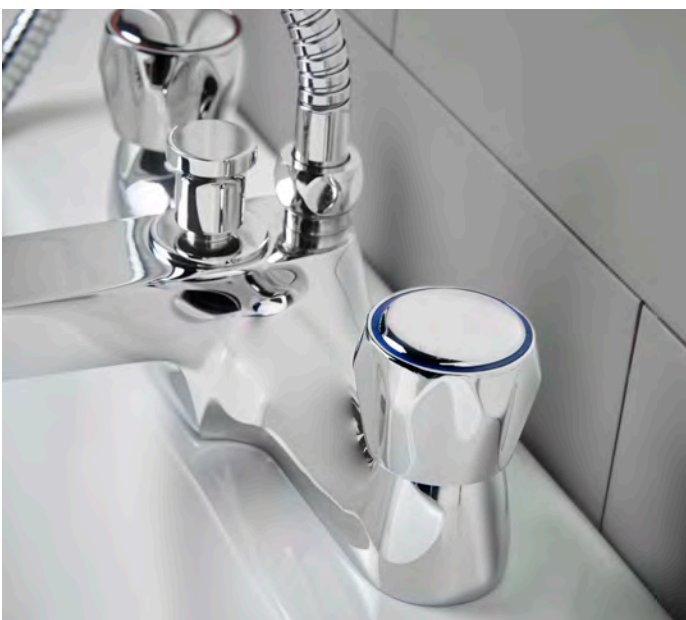
3/4" BSP

WORKING PRESSURE:

0.1 - 5.0 bar

● **VR108** Chrome

Ex.VAT **£84.00** Inc.VAT **£100.80**



Kitchen Taps

Available in a choice of finishes, and backed with our 12 year warranty, our range of kitchen taps delivers both function and style in one so you don't have to compromise.



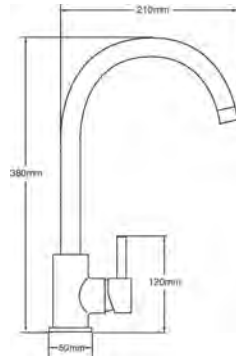
Deva Kitchen Taps



5 year warranty on non-chrome finishes



Indi Sink mixer



- Ceramic cartridge for smooth operation
- Tilt and turn temperature and flow control
- Swivel spout
- IND104-6 Fitted with a 6L/Min flow regulator



INLET CONNECTIONS:

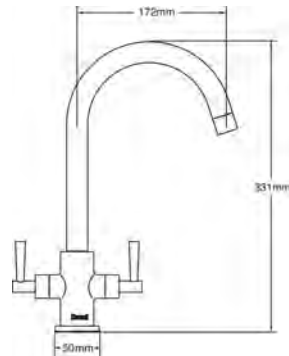
½" BSP

WORKING PRESSURE:

0.2 - 5.0 bar

● IND104	Chrome	Ex.VAT £198.19	Inc.VAT £237.83
● IND104-6	Chrome	Ex.VAT £208.72	Inc.VAT £250.46
● IND104BC	Brushed Chrome	Ex.VAT £232.61	Inc.VAT £279.13
● IND104BK	Matte Black	Ex.VAT £232.61	Inc.VAT £279.13

Nelson Sink Mixer



- 1/4 turn ceramic disc handles ensure a smooth operation
- Separate flow and temperature controls
- Swivel spout



INLET CONNECTIONS:

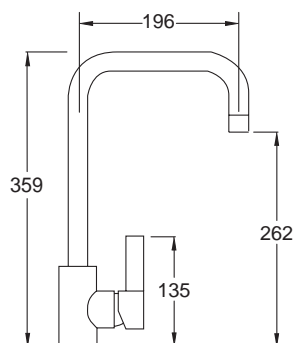
½" BSP

WORKING PRESSURE:

0.1 - 5.0 bar

● NEL104	Chrome	Ex.VAT £154.58	Inc.VAT £185.50
● NEL104BC	Brushed Chrome	Ex.VAT £181.44	Inc.VAT £217.73
● NEL104BK	Matte Black	Ex.VAT £181.44	Inc.VAT £217.73

Ashworth Sink Mixer



- Ceramic cartridge for smooth operation and longer life
- Tilt and turn temperature and flow control
- Swivel spout
- Fitted with 6L/Min flow regulator



INLET CONNECTIONS:

½" BSP

WORKING PRESSURE:

0.5 - 5.0 bar



● ASH104	Chrome	Ex.VAT £189.50	Inc.VAT £227.40
● ASH104BK	Matte Black	Ex.VAT £236.88	Inc.VAT £284.26

Deva Kitchen Taps



5 year warranty on non-chrome finishes



Ethos Sink Mixer



- Ceramic cartridge for smooth operation
- Tilt and turn temperature and flow control
- Swivel spout
- Fitted with 6L/Min flow regulator



INLET CONNECTIONS:

1/2" BSP

WORKING PRESSURE:

0.2 - 5.0 bar

● ETH104	Chrome	Ex.VAT £173.41	Inc.VAT £208.09
● ETH104BK	Matte Black	Ex.VAT £198.00	Inc.VAT £237.60

Adore Sink Mixer



- Ceramic cartridge for smooth operation and longer life
- Tilt and turn temperature and flow control
- Swivel spout
- Products which are easy to use by all the family



INLET CONNECTIONS:

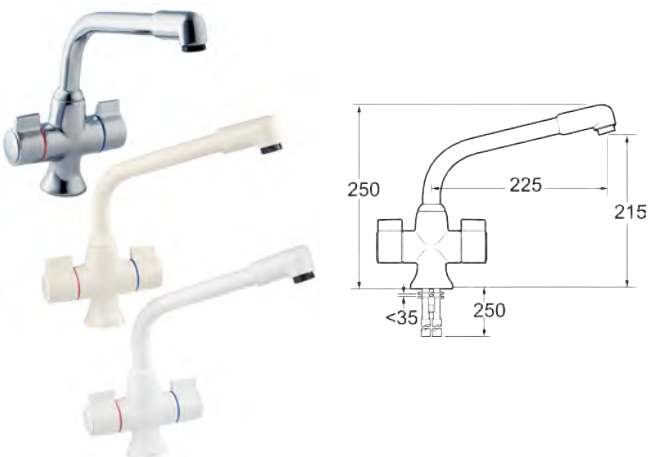
15mm Copper

WORKING PRESSURE:

0.1 - 5.0 bar

● ADORE171	Chrome	Ex.VAT £129.58	Inc.VAT £155.50
------------	--------	-----------------------	------------------------

Sauris Mono Sink Mixer



- Ceramic cartridge for smooth operation
- Swivel spout
- Dual flow ensuring consistent temperature and pressure



INLET CONNECTIONS:

15mm Copper

WORKING PRESSURE:

0.1 - 5.0 bar

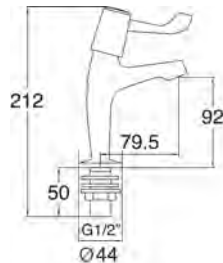
● SMS172	Chrome	Ex.VAT £141.46	Inc.VAT £169.75
● SMS172/004	Beige	Ex.VAT £165.97	Inc.VAT £199.16
○ SMS172/005	White	Ex.VAT £165.97	Inc.VAT £199.16

Deva Kitchen Taps

Vitality Lever



Vitality Lever Sink Taps



- 1/4 turn ceramic disc handles ensure a smooth operation
- Brass backnuts
- Easy maintenance
- Easy identifiable hot and cold water selection
- Ideal for any application requiring simple lever operation
- Suitable for high & low pressure systems



INLET CONNECTIONS:

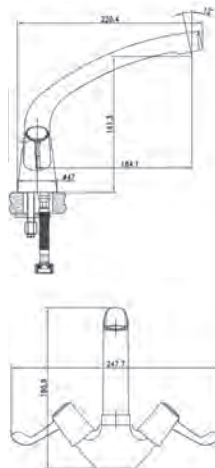
1/2" BSP

WORKING PRESSURE:

0.1 - 5.0 bar

● **VL103** Chrome Ex.VAT **£52.16** Inc.VAT **£62.59**

Vitality Lever Sink Mixer



- 1/4 turn ceramic disc handles ensure a smooth operation
- Swivel spout
- Dual flow
- Complete with flexi tails
- Easy maintenance
- Easy identifiable hot and cold water selection



INLET CONNECTIONS:

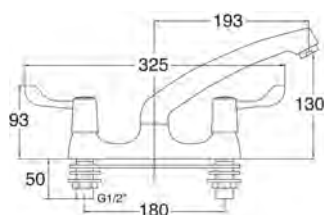
1/2" BSP

WORKING PRESSURE:

0.1 - 5.0 bar

● **VL104** Chrome Ex.VAT **£131.19** Inc.VAT **£157.43**

Vitality Lever Deck Mounted Sink Mixer



- 1/4 turn ceramic disc handles ensure a smooth operation
- Swivel spout
- Dual flow
- Brass backnuts
- Easy maintenance
- Easy identifiable hot and cold water selection



INLET CONNECTIONS:

1/2" BSP

WORKING PRESSURE:

0.1 - 5.0 bar

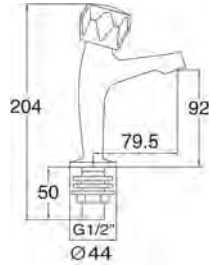
● **VL105** Chrome Ex.VAT **£98.00** Inc.VAT **£117.60**

Deva Kitchen Taps

Vitality Round



Vitality Round Sink Taps



- Full turn operation
- Brass backnuts
- Easy maintenance
- Easy identifiable hot and cold water selection
- Suitable for high & low pressure systems



INLET CONNECTIONS:

½" BSP

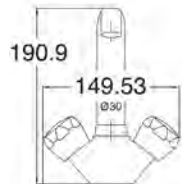
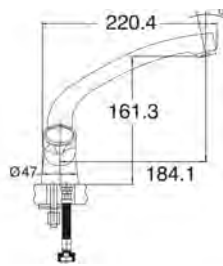
WORKING PRESSURE:

0.1 - 5.0 bar

● **VR103** Chrome

Ex.VAT **£38.73** Inc.VAT **£46.48**

Vitality Round Sink Mixer



- Full turn operation
- Swivel spout
- Dual flow
- Complete with flexi tails
- Easy maintenance
- Easy identifiable hot and cold water selection



INLET CONNECTIONS:

½" BSP

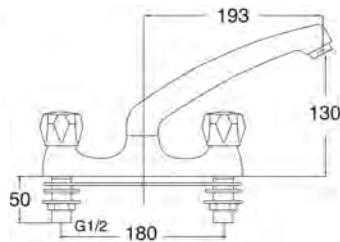
WORKING PRESSURE:

0.1 - 5.0 bar

● **VR104** Chrome

Ex.VAT **£87.72** Inc.VAT **£105.26**

Vitality Round Deck Mounted Sink Mixer



- Full turn operation
- Swivel spout
- Dual flow
- Brass backnuts
- Easy maintenance
- Easy identifiable hot and cold water selection



INLET CONNECTIONS:

½" BSP

WORKING PRESSURE:

0.1 - 5.0 bar

● **VR105** Chrome

Ex.VAT **£75.08** Inc.VAT **£90.10**

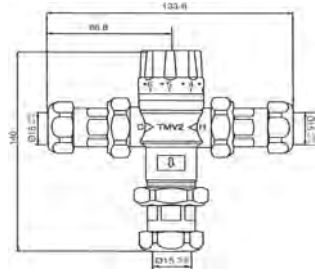
Bathroom Accessories

Blending Valves



Thermostatic 15mm Blending Valve

- Prevents scalding by accurately controlling the water temperature
- Approved at high and low pressure designations
- For single outlet



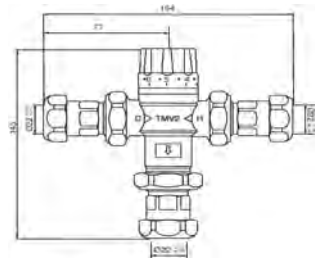
INLET CONNECTIONS:
15mm Compression

WORKING PRESSURE:
0.2 - 5.0 bar

● **TBV008** Chrome Ex.VAT **£60.00** Inc.VAT **£72.00**

Thermostatic 22mm Blending Valve

- Prevents scalding by accurately controlling the water temperature
- Approved at high and low pressure designations
- For single outlet



INLET CONNECTIONS:
15mm Compression

WORKING PRESSURE:
0.2 - 5.0 bar

● **TBV010** Chrome Ex.VAT **£70.00** Inc.VAT **£84.00**



Creating amazing water experiences is what we do every day at Methven and have done since 1886.

Today, we are world renowned for beautifully designed, award-winning
showers, taps and valves.

This collection of products is designed for use in affordable housing
where water efficiency, decarbonisation and safety are paramount.

METHVEN
EST 1886


Deva by METHVEN



METHVEN UK LIMITED
Methven Experience Centre
3-3A Stone Cross Court
Yew Tree Way, Golborne
Warrington
WA3 3JD

UK Freephone: 0800 195 1602
Tel: +44 (0)1942 680 177
Fax: +44 (0)8444 068690
Email: sales@uk.methven.com
Web: www.methven.com
www.deva-uk.com

 facebook.com/MethvenUK
 facebook.com/DevaByMethven
 twitter.com/MethvenUK
 twitter.com/uk_deva
 Instagram.com/methven_uk
 Instagram.com/deva_by_methven