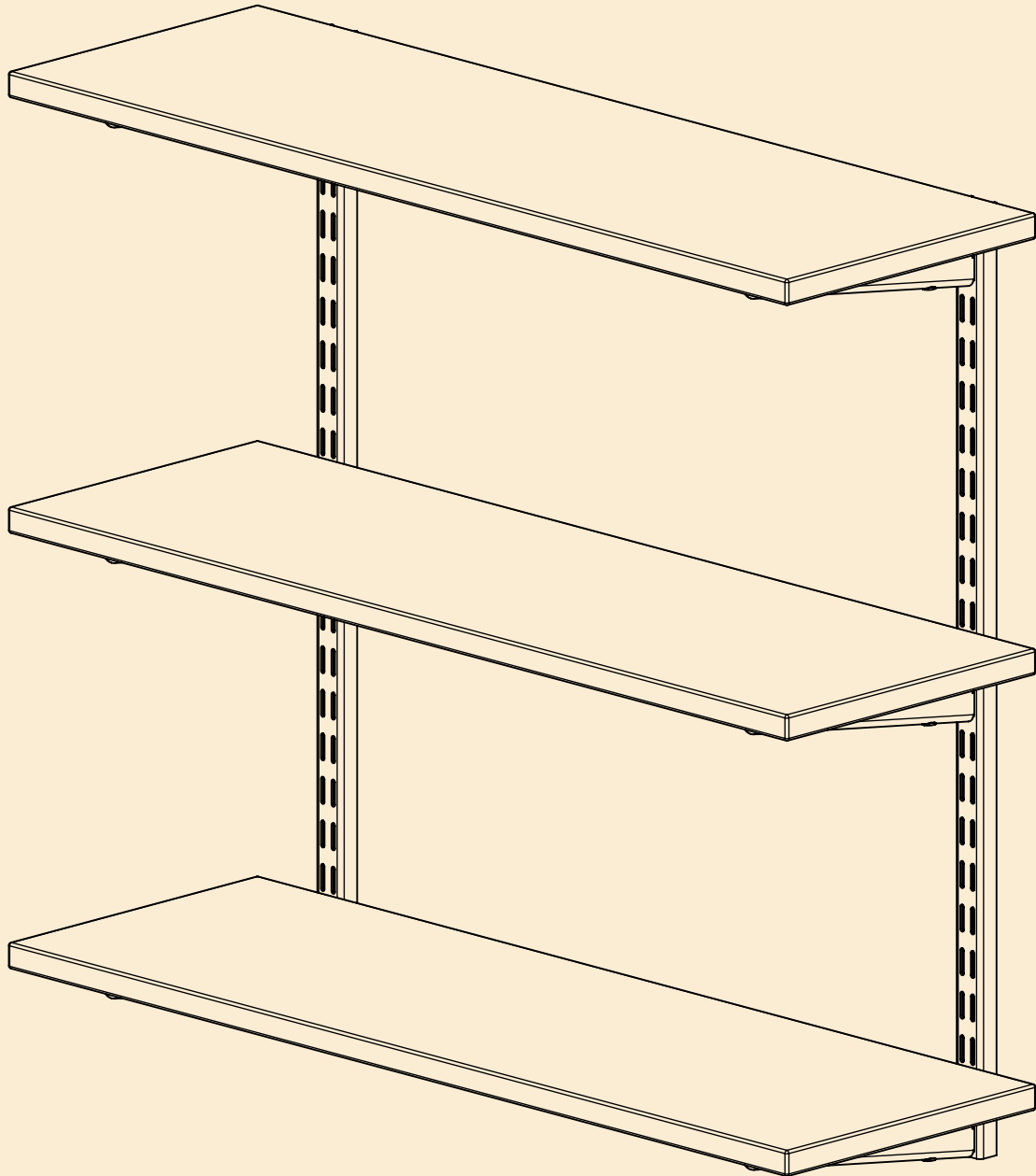
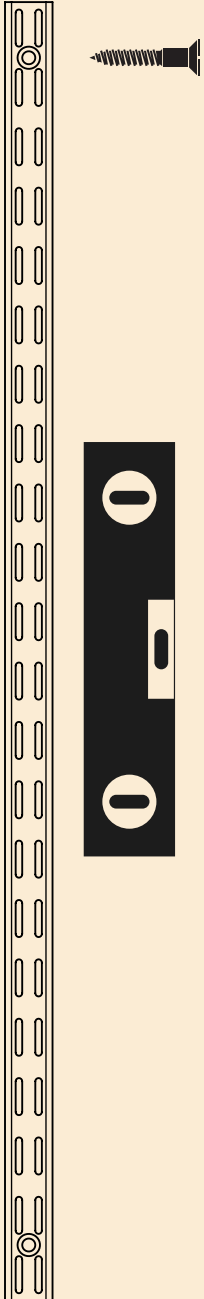


Sparring Shelf System



TONITON

Assembly instruction



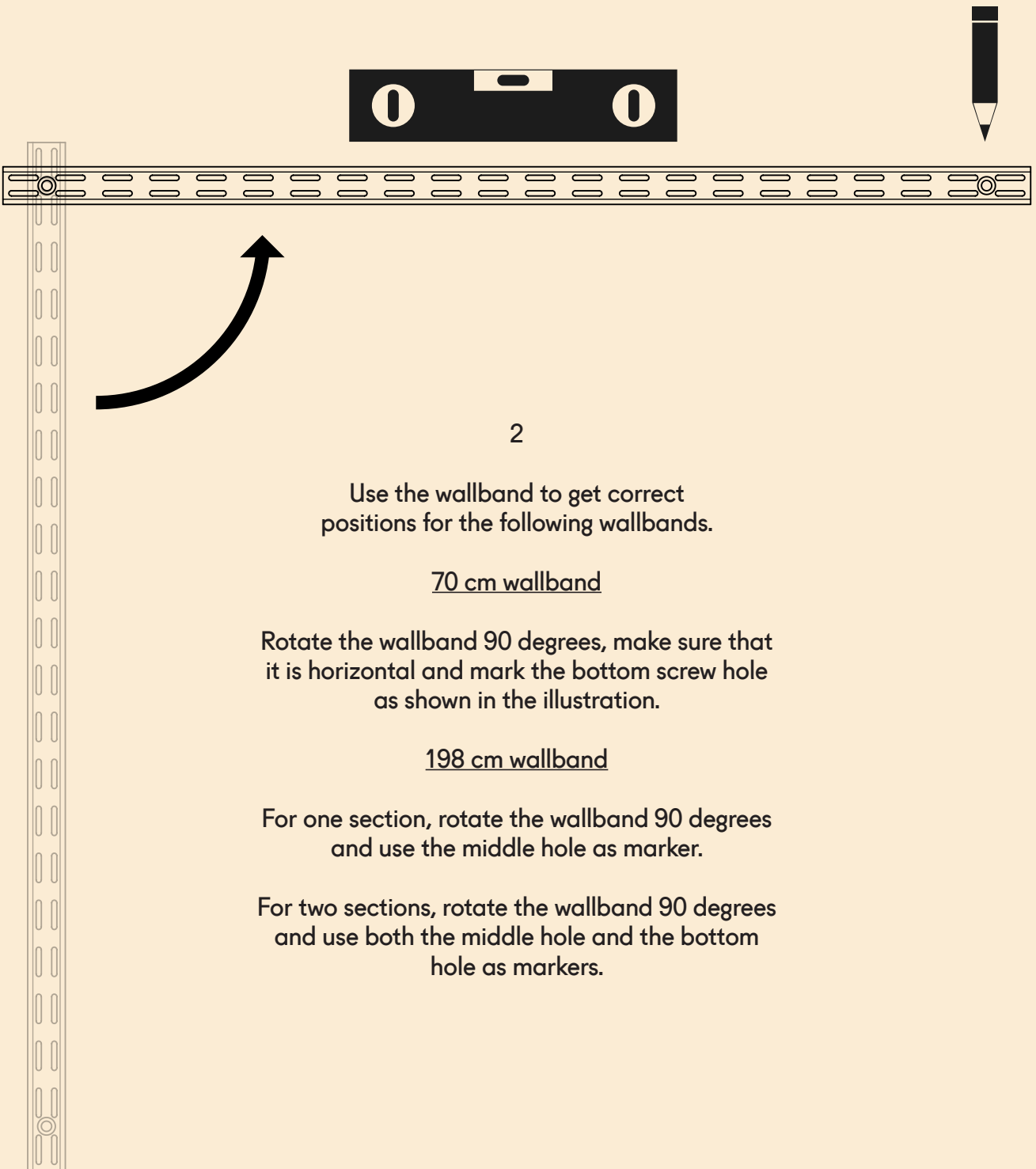
1

Position the first wallband.

Use a spirit-level to make sure that the wallband is straight.

Attach the upper hole with a screw (not too tight).

Assembly instruction



Use the wallband to get correct positions for the following wallbands.

70 cm wallband

Rotate the wallband 90 degrees, make sure that it is horizontal and mark the bottom screw hole as shown in the illustration.

198 cm wallband

For one section, rotate the wallband 90 degrees and use the middle hole as marker.

For two sections, rotate the wallband 90 degrees and use both the middle hole and the bottom hole as markers.

Assembly instruction



3

Attach the second wallband where
the mark is set for the upper hole
(not too tight.)



Assembly instruction

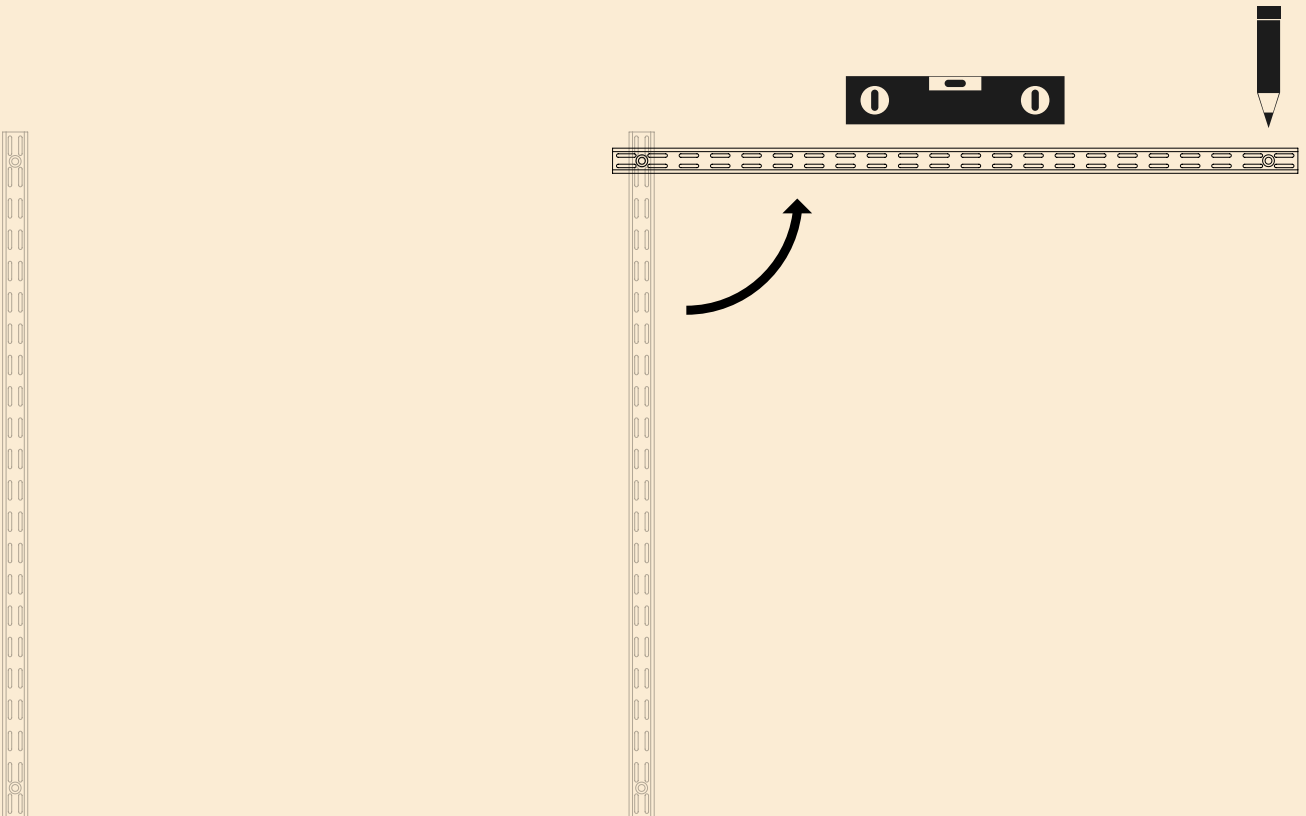
For two sections

70 cm wallband

Use the second wallband to mark the placement of the third wallband as shown in the illustration.

198 cm wallband

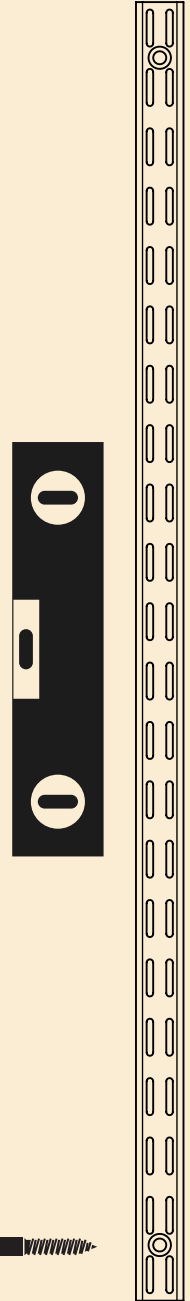
Use the first wallband to mark the placement of both the second and the third wallband by using both the middle hole and the bottom hole as markers.



Assembly instruction

4

Use the spirit level to make sure that the wallbands are straight. Then attach the wallband to the wall using adequate screws. Don't forget to fasten the upper screws.

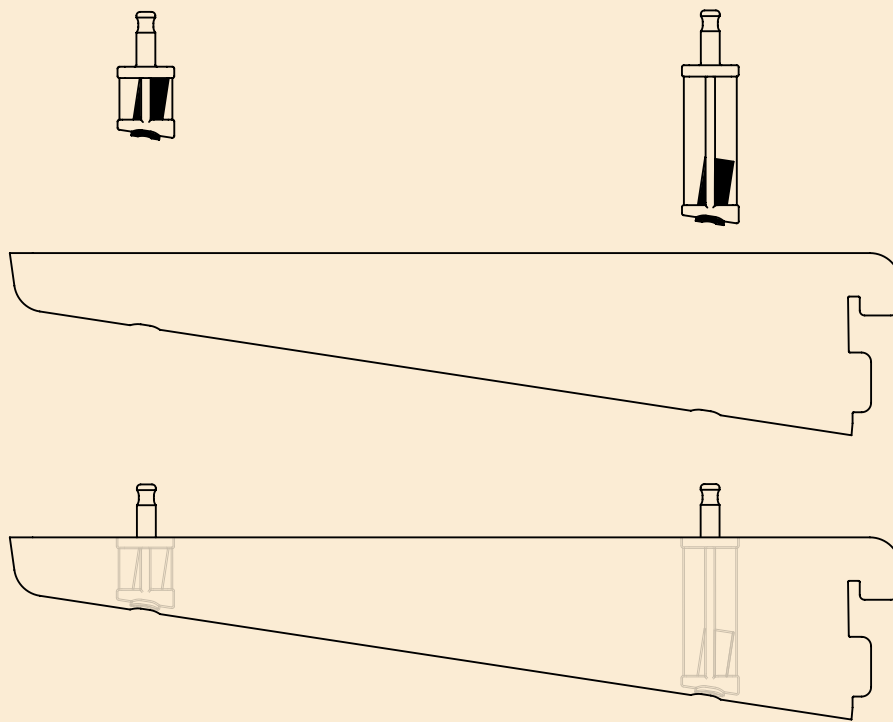


Assembly instruction

5

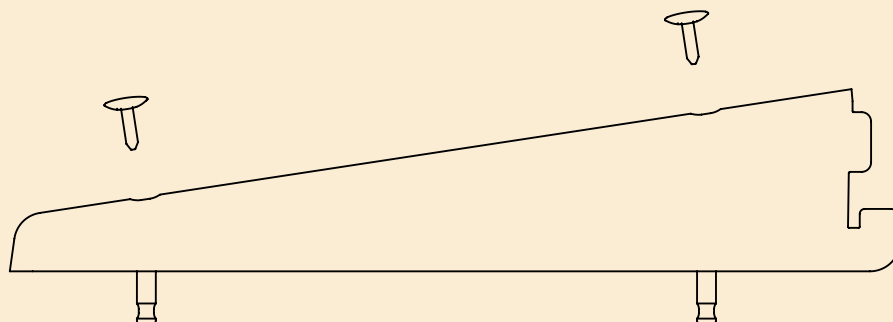
Place two pins into each bracket.
The shorter pin at the front and the longer pin at the back.

(Note that the parts marked in black shall
lean towards the back of the bracket.)



6

Then turn the bracket upside down, place it towards a firm support and attach the nails into the pins one at a time.

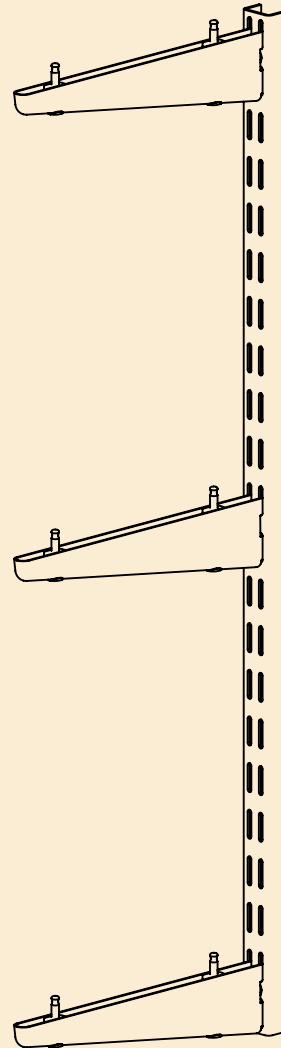
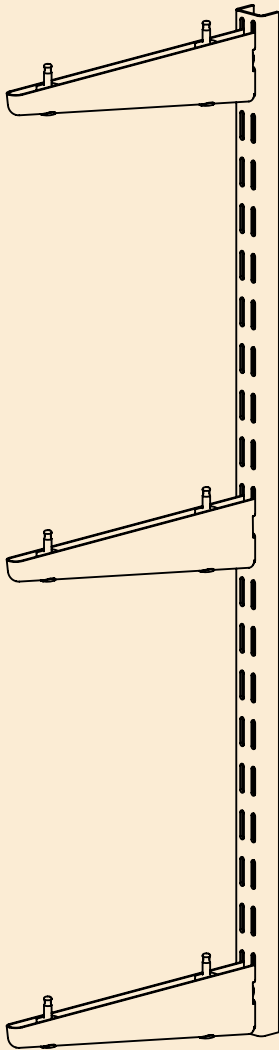


Assembly instruction

7

Attach the brackets to the wallbands.
Make sure that they are placed in the corresponding slots.

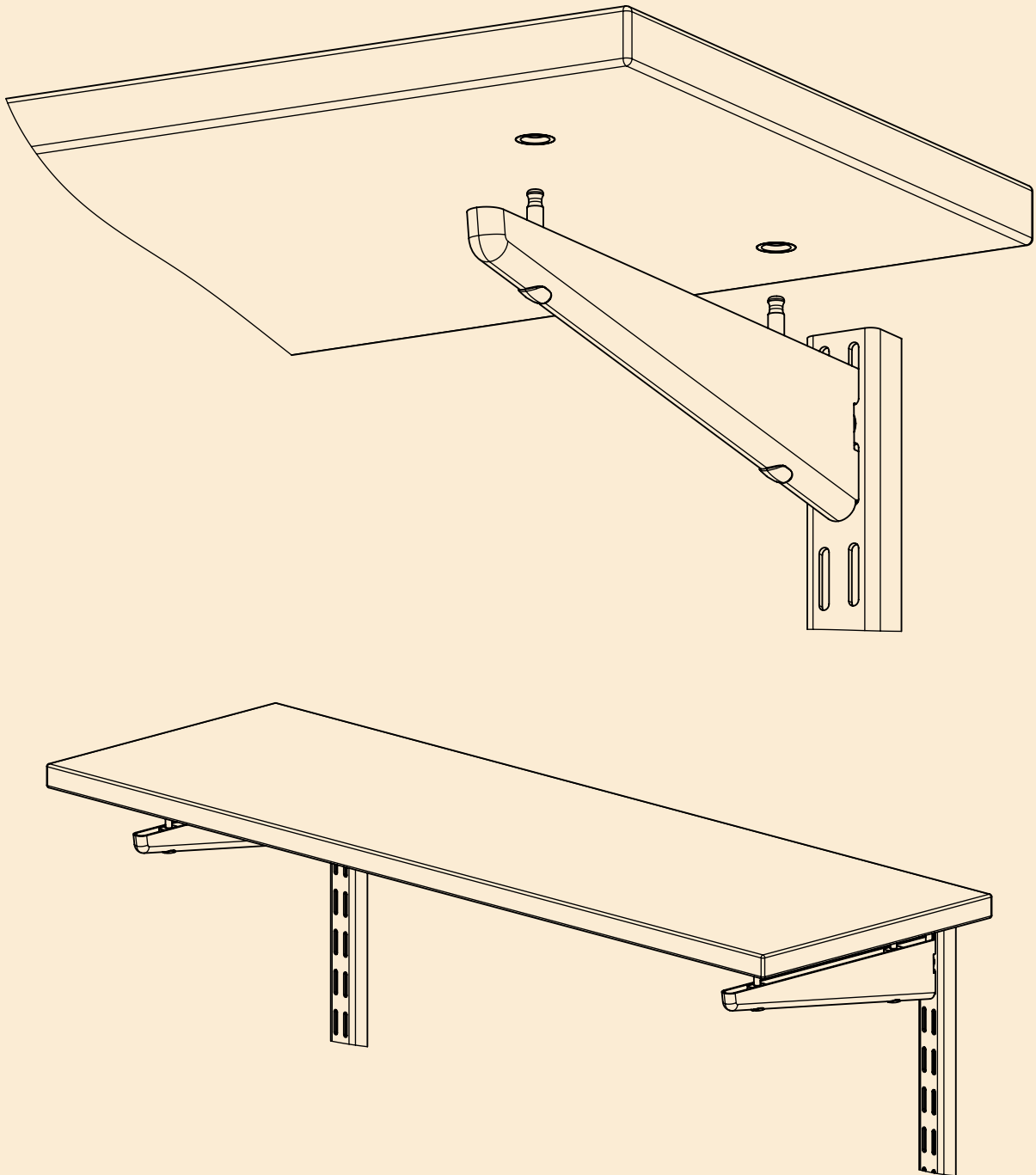
(A tip is to place the brackets in front of
the screw holes in the wallband.)



Assembly instruction

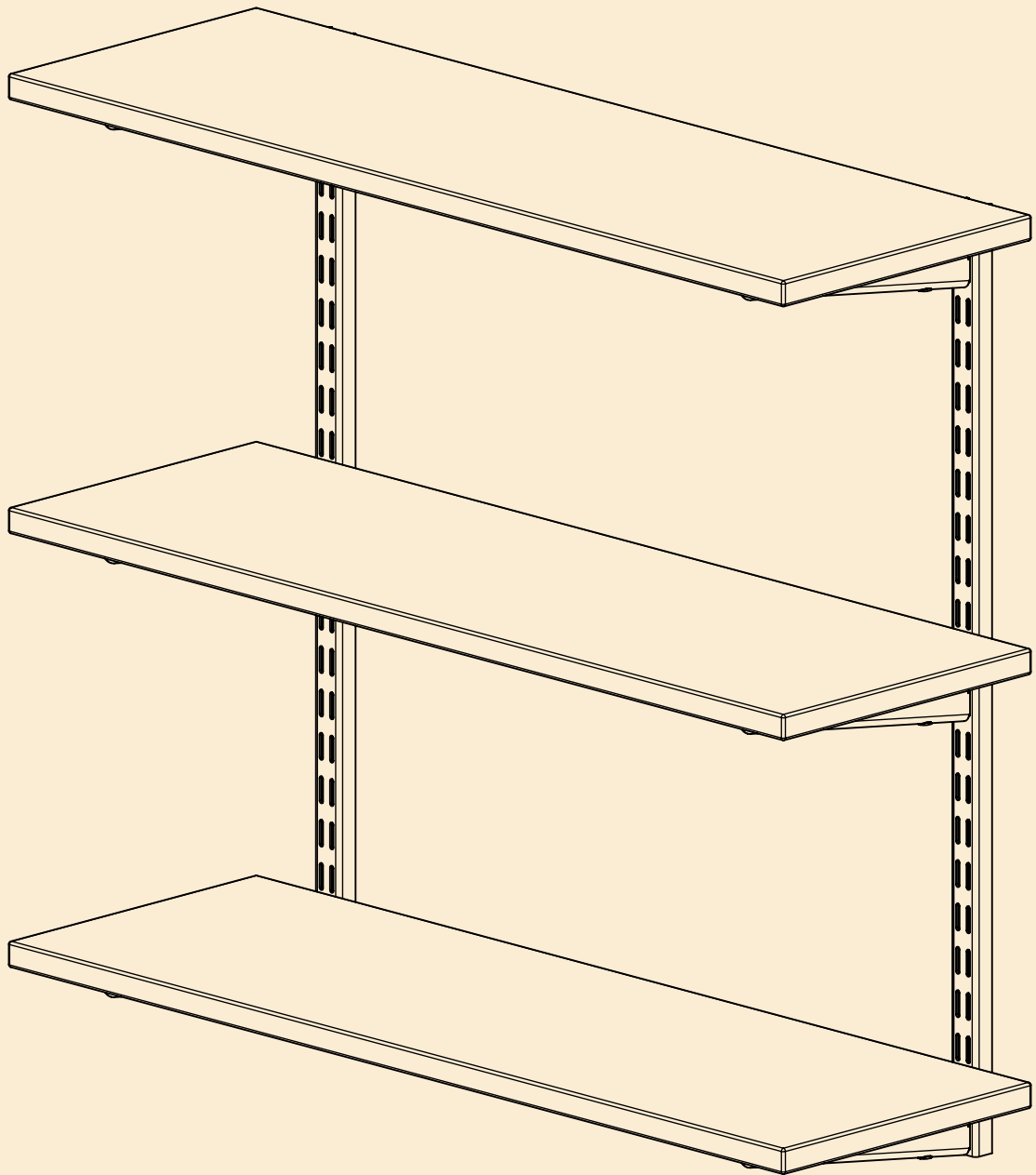
8

Click the shelves onto the bracket pins.



Assembly instruction

Done!



Care and Maintenance

CLEANING WALLBANDS AND BRACKETS

Wipe with a clean cloth wrung in water or in a solution of water and a neutral detergent. Remove soap residue immediately using a clean, dry cloth.

Avoid using scouring cream or scouring pads, as they may scratch the surface.

Do not use solvents as they may have an adverse effect on the coating.

Never use acetic acid or citric acid.

In the event of lime deposits on the surface use a clean, damp cloth wrung in lukewarm water with one part vinegar to nine parts water and avoid scrubbing as this may scratch the surface.

CLEANING THE SHELVES

Wipe with a soft cloth. Use a pH-neutral cleaner, such as an ounce of dish soap in a gallon of warm water.

Dust frequently.