



DREAM FACTORY

Heat Embossing Products

<https://www.dreamfactorytools.com>

MACHINE DIMENSIONS

FOOT PRINT

Width (300m) = **11.8"**

Depth (285m) = **11.25"**

Height (245m) = **10"**

PLATE

Platform (210m) = **4.75"**

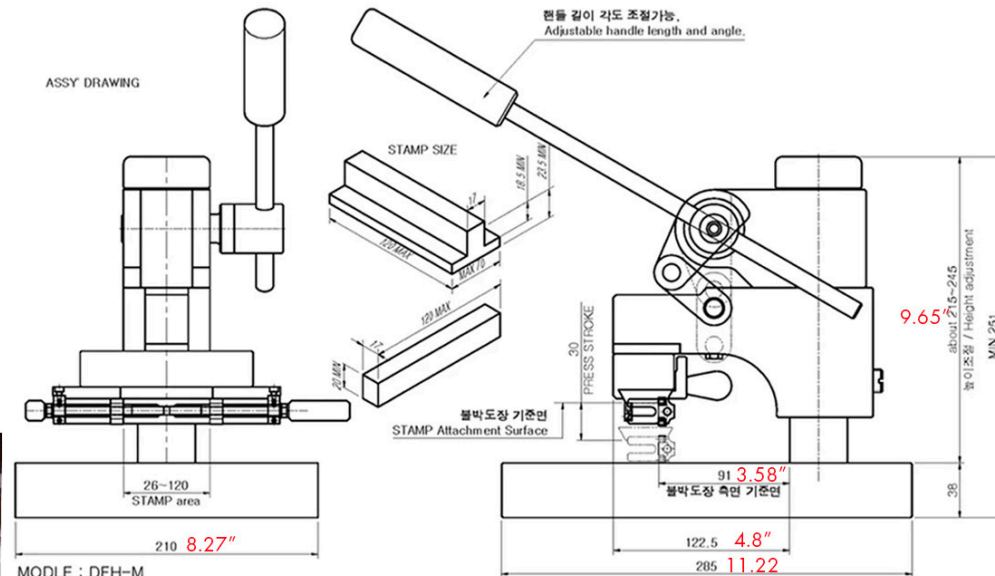
Stamp Width (210m) = **4.75"**

MAX STAMP (120mx70m)

4.7" Wide x 2.75" Deep



DREAM FACTORY HOT STAMPING MACHINE



MODE : DFH-M
Size : 300*260*250mm **11.8 * 10.2 * 9.84**
Weight : 13.5 kg
Heater : 400w
Components : Hot stamping machine, Centering holder, Gage bar
Materials : SUJ2, Duralumin(A6061), SUS304

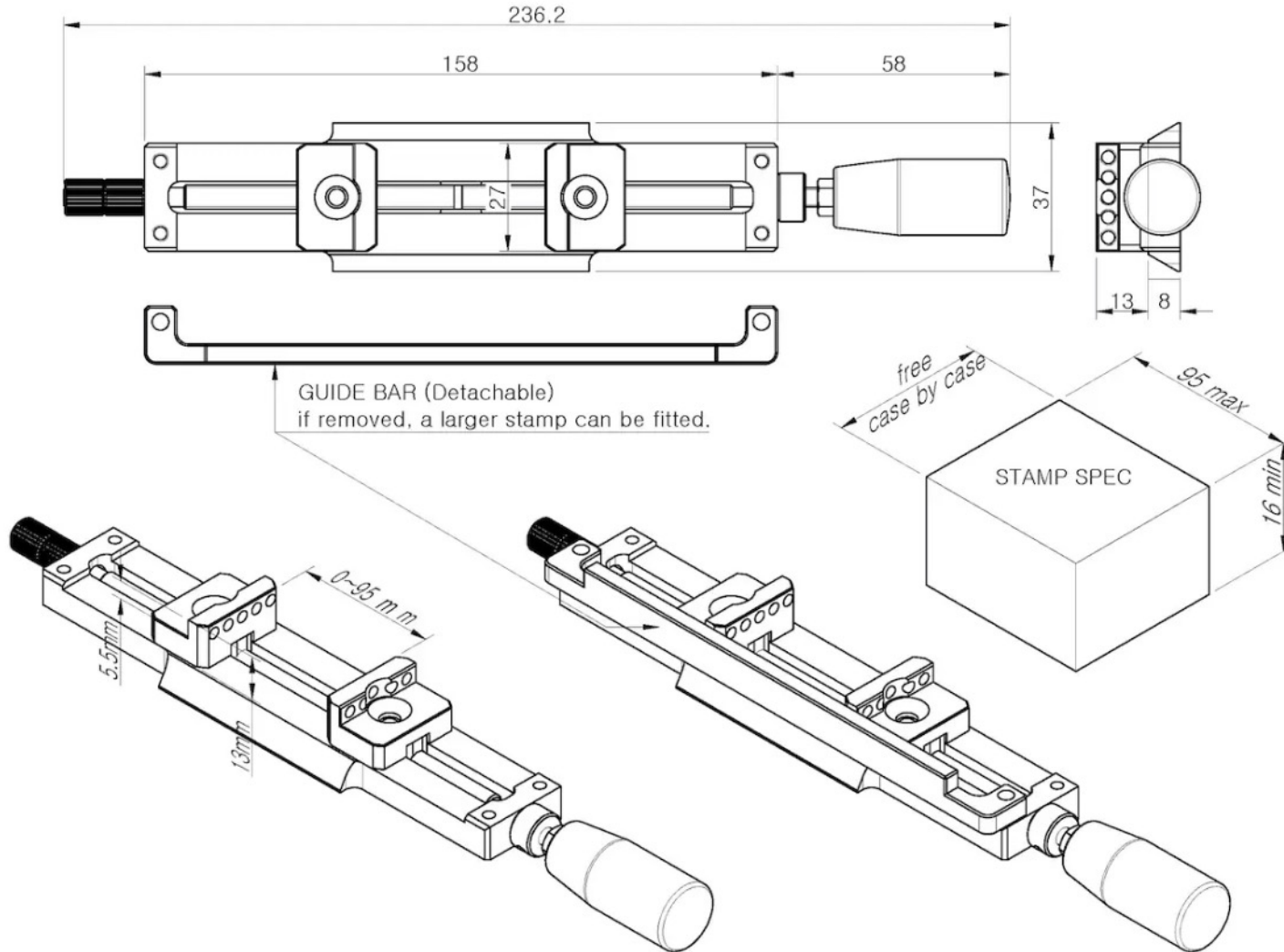
WEIGHT = 30 lbs

ACCESSORIES

**SIMPLE
ARTFUL
STUFF**

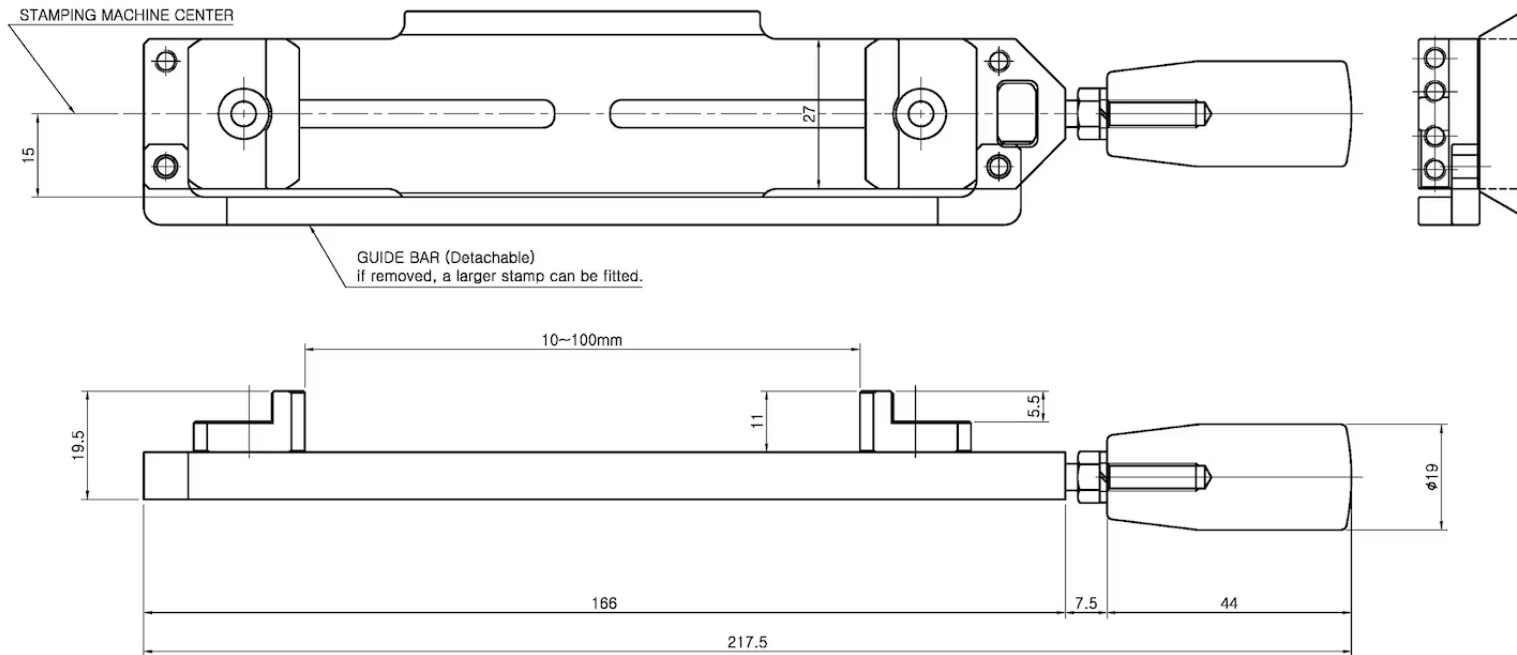


STAMP HOLDER SPEC



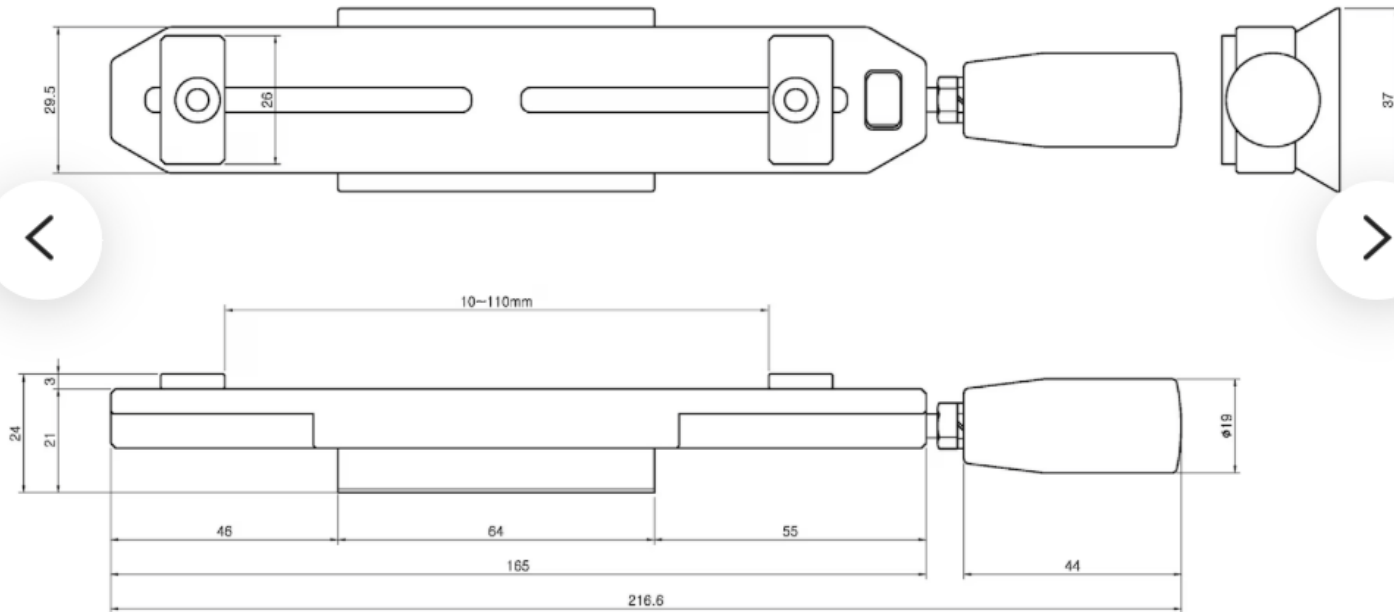
Stamp Holder Spec - Standard

STAMP HOLDER SPEC (STANDARD JAW VER')



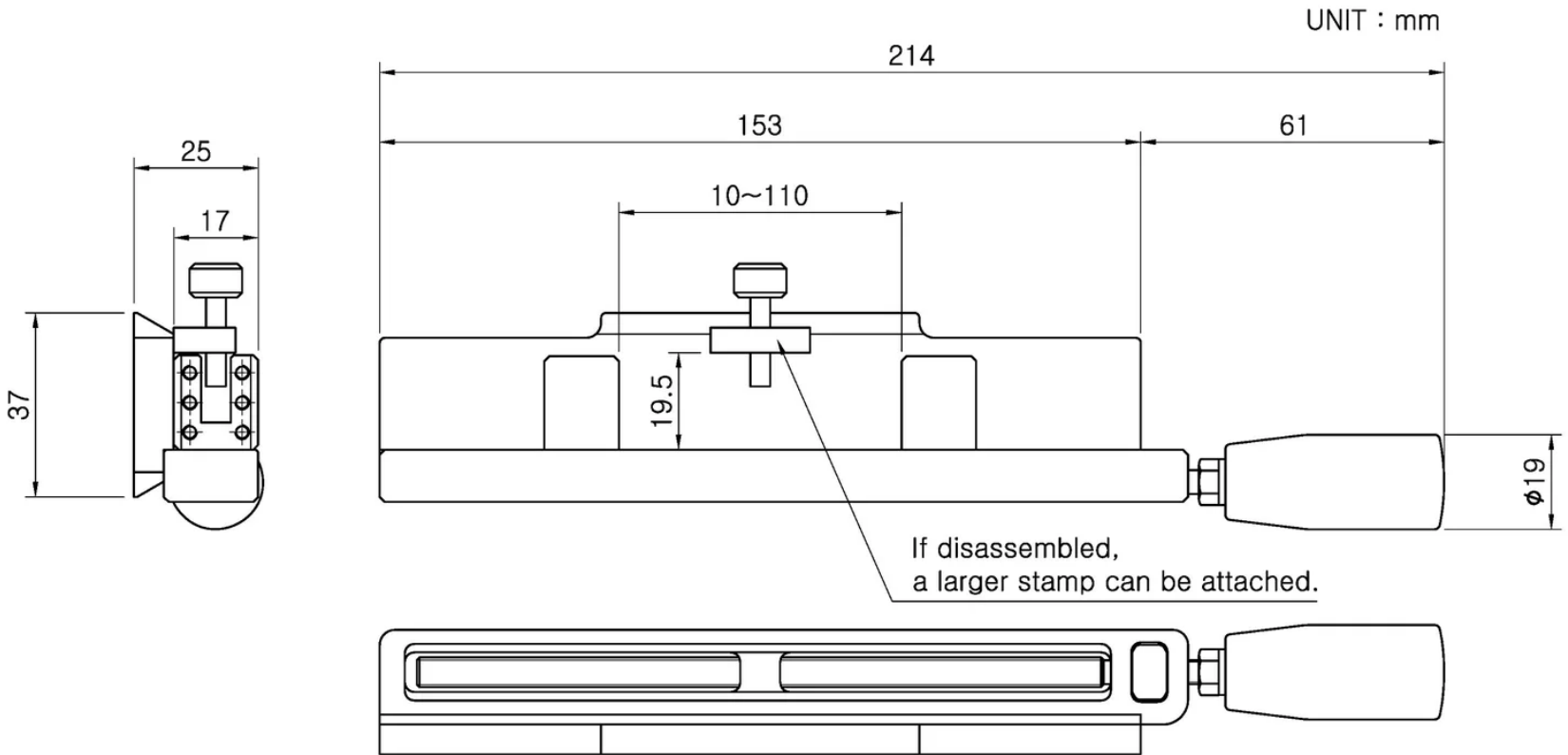
Stamp Holder Spec – Low Jaw

STAMP HOLDER SPEC (LOWER JAW VER')

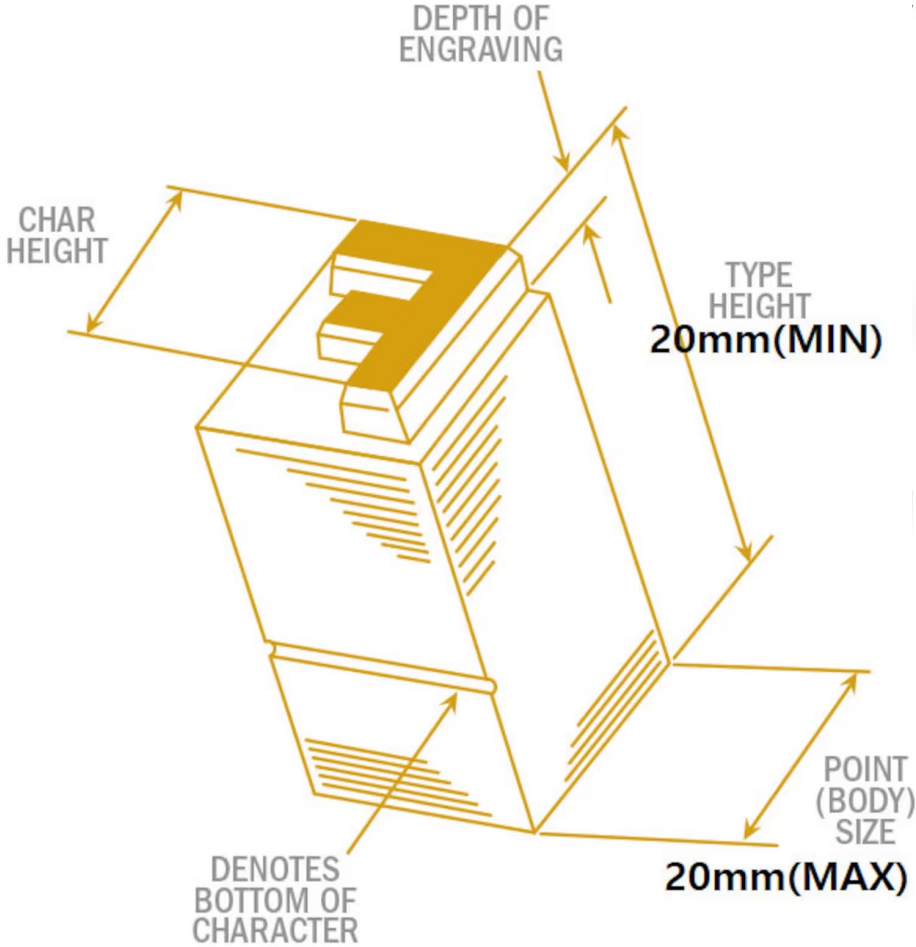


Font Holder Spec

FONT HOLDER SPEC



Type/Stamp Specs



stamp dimension

Dimensions other than those marked depend on font style and height.

