

OPTION #1

SINGLE CHAISE

MODEL: F7445

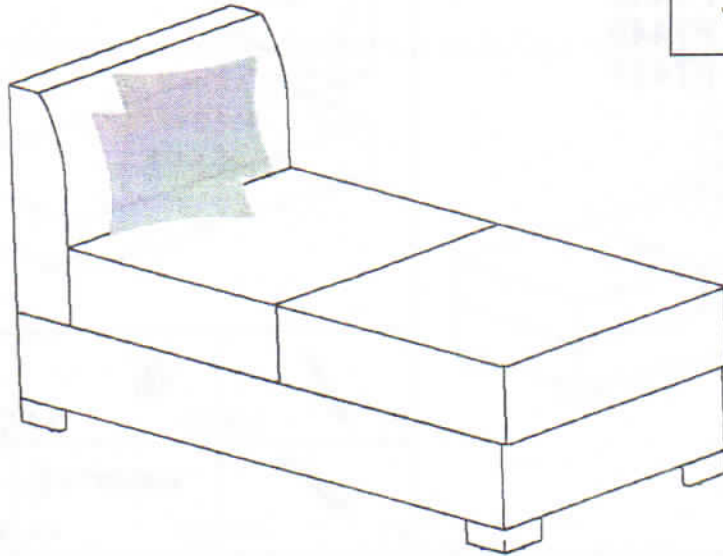
F7448

F7451

NOTICE

BEFORE ASSEMBLY

1. DECIDE AND CHOOSE THE WAY YOU WOULD LIKE TO SETUP.
2. TURN TO THE ASSIGNED PAGES LISTED BELOW FOR FUTHER DETAILS.

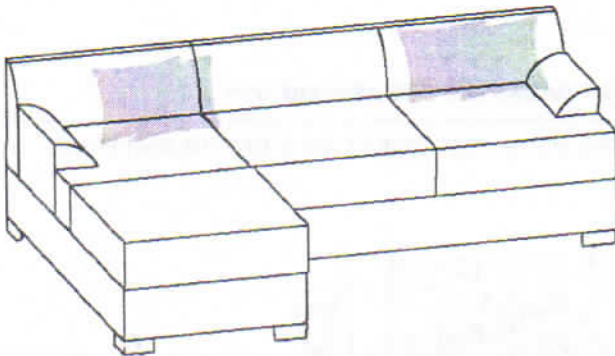


P2

OPTION #2 SECTIONAL

CHAISE ON THE LEFT

MODEL: F7445 + F7446
F7448 + F7449
F7451 + F7452

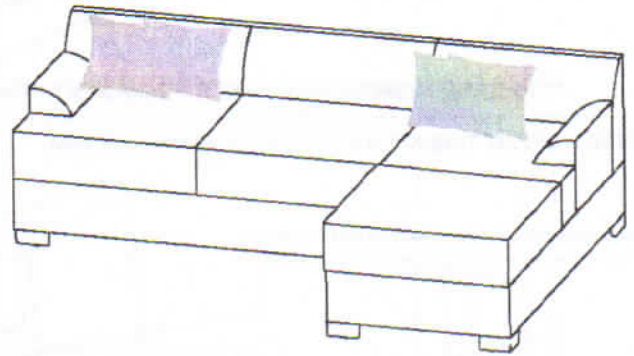


P3 / 4

OPTION #3 SECTIONAL

CHAISE ON THE RIGHT

MODEL: F7445 + F7446
F7448 + F7449
F7451 + F7452

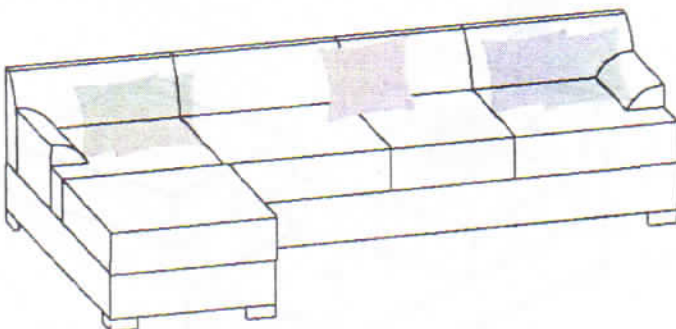


P5 / 6

OPTION #4 SECTIONAL

CHAISE ON THE LEFT

MODEL: F7445 + F7447
F7448 + F7450
F7451 + F7453

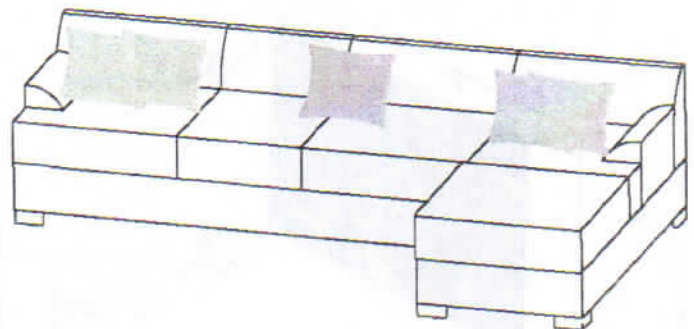


P7 / 8

OPTION #5 SECTIONAL

CHAISE ON THE RIGHT

MODEL: F7445 + F7447
F7448 + F7450
F7451 + F7453

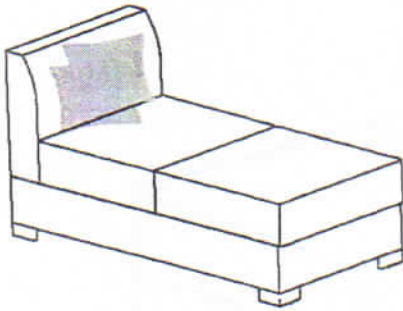


P9 / 10

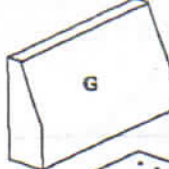
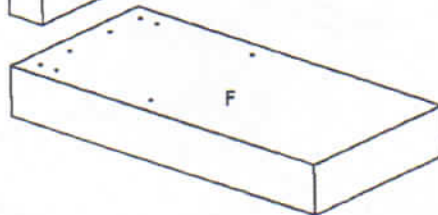
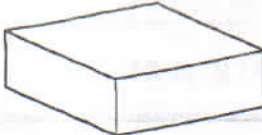

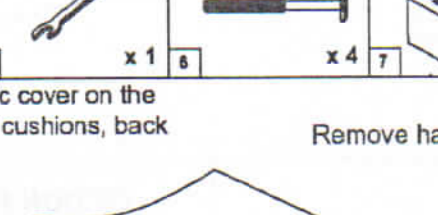
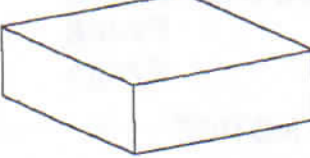









P1

OPTION #1
SINGLE CHAISE

MODEL: F7445
F7448
F7451

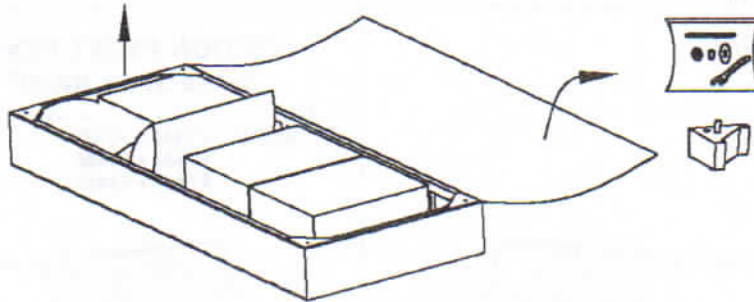


PARTS LIST

				 x 1	
				 x 1	
1	 x 2	2	 x 2	3	 x 6
4	 x 6	5	 x 1	6	 x 4
7	 x 4	8	 Optional x 2	9	 x 1

Open up the Velcro of Non-Woven Fabric cover on the bottom of the seat frame to remove seat cushions, back cushions and pillow

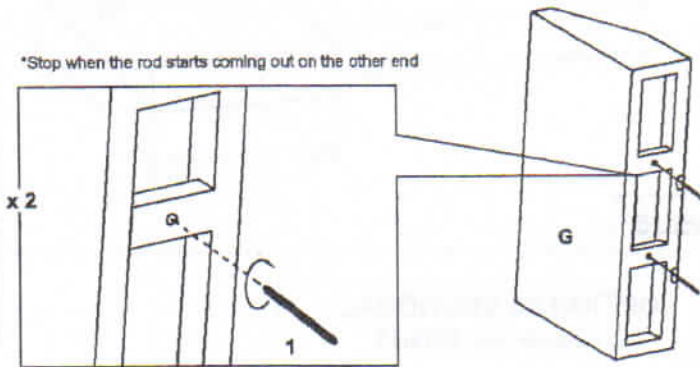
Remove hardware / legs from inside the seat frame.



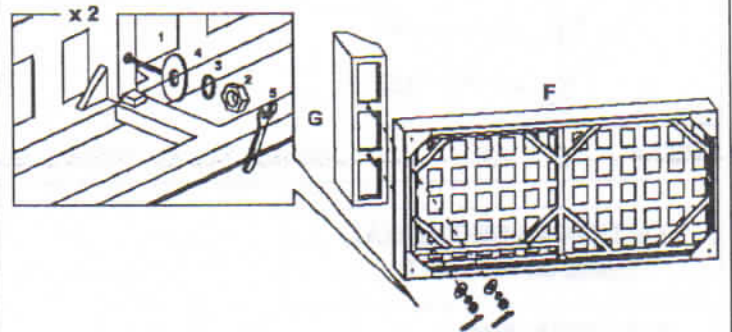
*****PLEASE REMOVE ALL PARTS FROM SEAT FRAMES AND SEAT BACKS BEFORE ASSEMBLY*****

STEP 1- INSERT THREADED RODS INTO SEAT BACKS & ARM

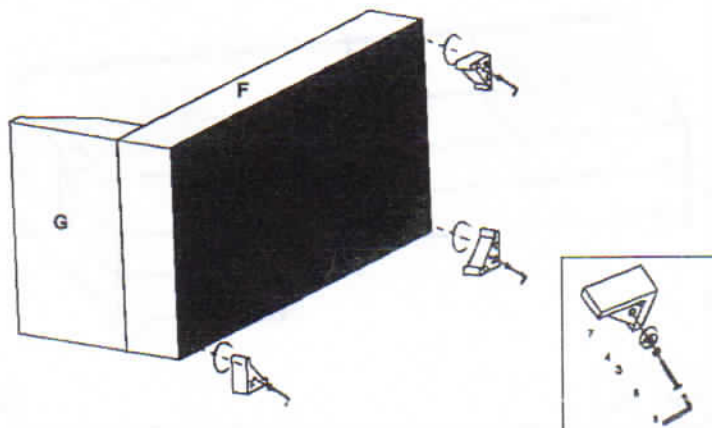
*Stop when the rod starts coming out on the other end



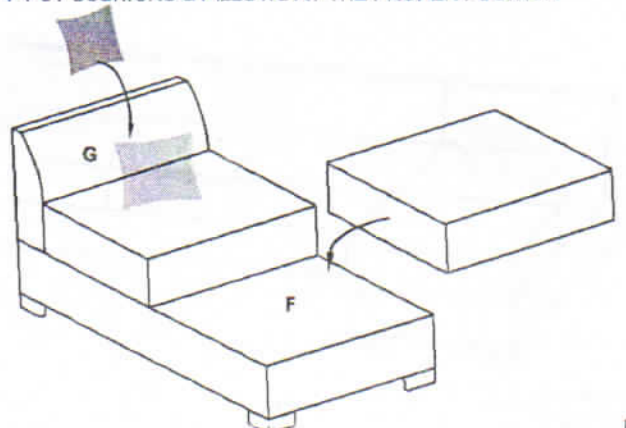
STEP 2- MOUNT SEAT BACKS & ARMS INTO THE SEAT FRAME



STEP 3- PUT BACK THE FABRIC COVER AND INSERT LEGS



STEP 4- PUT CUSHIONS & PILLOWS AT THE PROPER POSITION



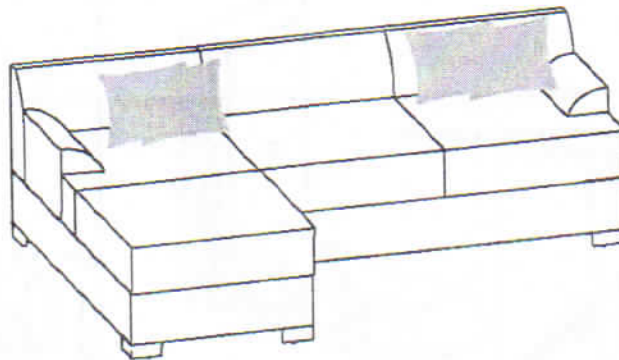
OPTION #2 - SECTIONAL

CHAISE ON THE LEFT

MODEL: F7445 + F7446
F7448 + F7449
F7451 + F7452

NOTICE BEFORE ASSEMBLY

Parts and hardware for loveseat are found in loveseat package

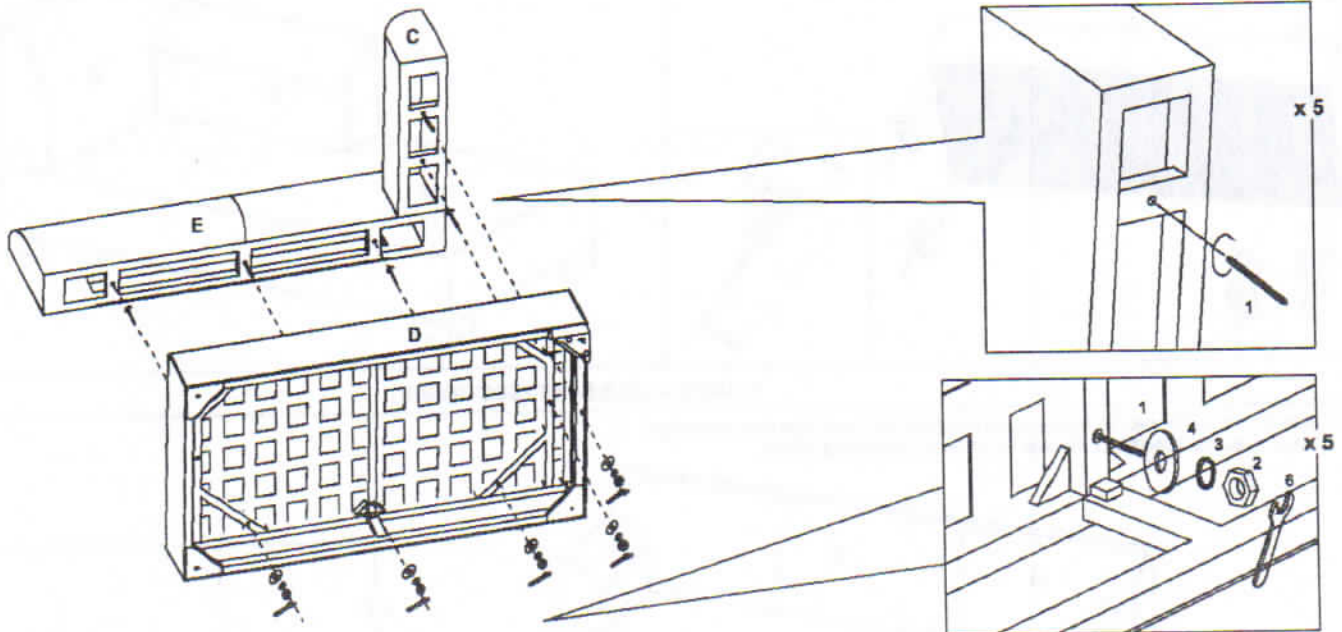


US PATENT # 7,922,253; 8,322,792 & 8,322,793

ONE-ARM LOVESEAT FRAME

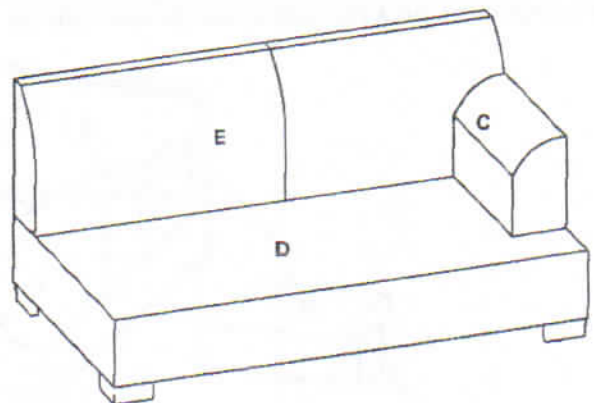
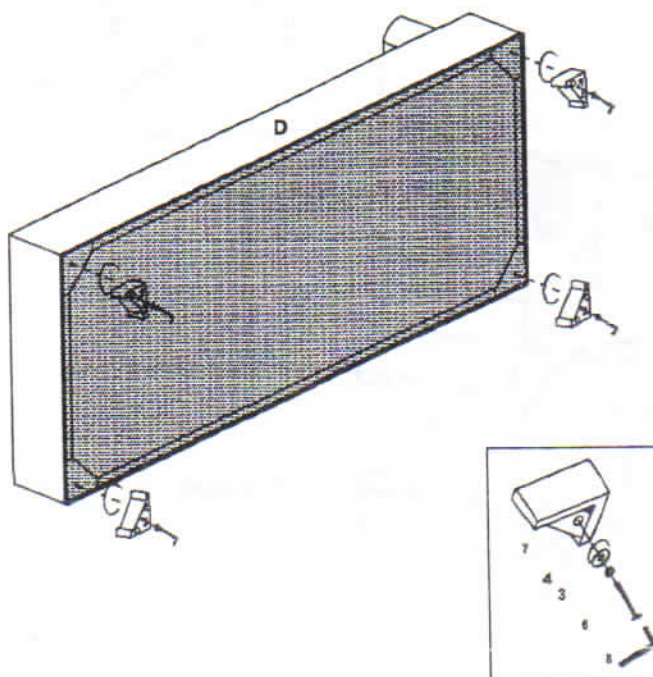
STEP 2- MOUNT SEAT BACKS & ARMS INTO THE SEAT FRAME

*Stop when the rod starts coming out on the other end



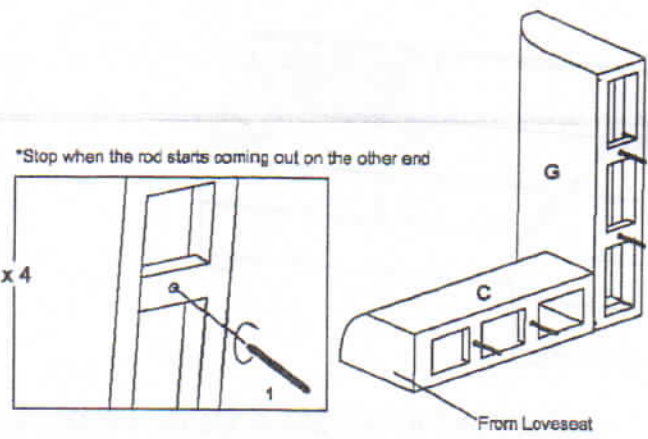
STEP 3- PUT BACK THE FABRIC COVER AND INSERT LEGS

STEP 4- ONE-ARM LOVESEAT FRAME IS COMPLETE

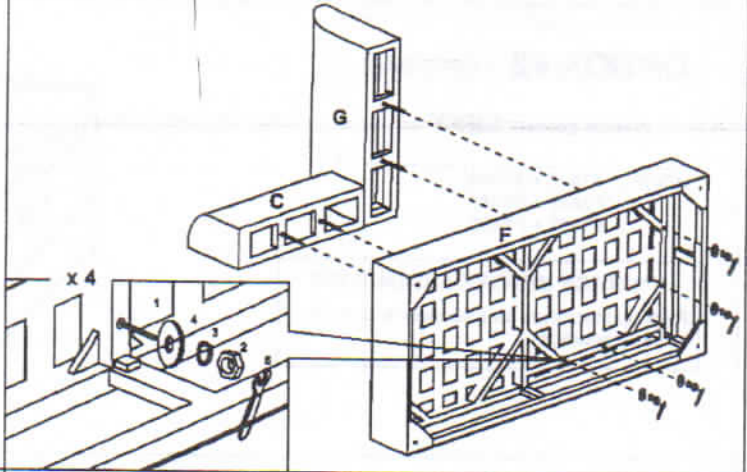


ONE-ARM CHAISE FRAME

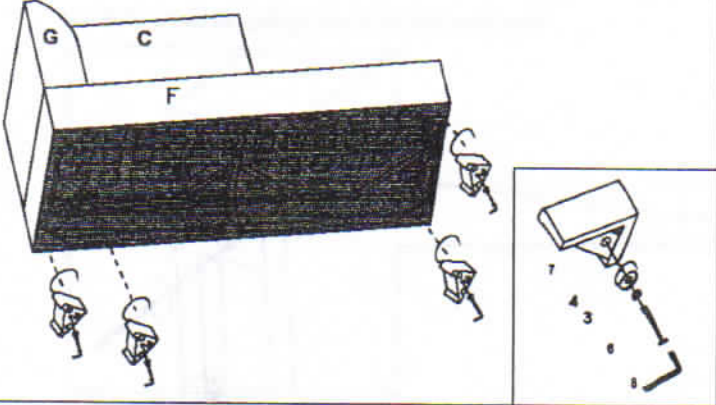
STEP 5- INSERT THREADED RODS INTO SEAT BACK PANEL & ARM



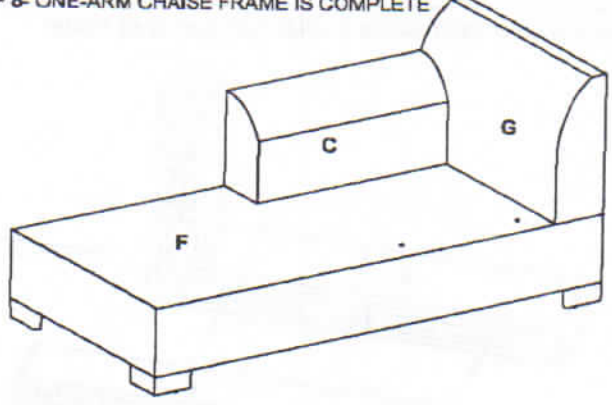
STEP 6- MOUNT SEAT BACKS & ARMS INTO THE SEAT FRAME



STEP 7- PUT BACK THE FABRIC COVER AND INSERT LEGS

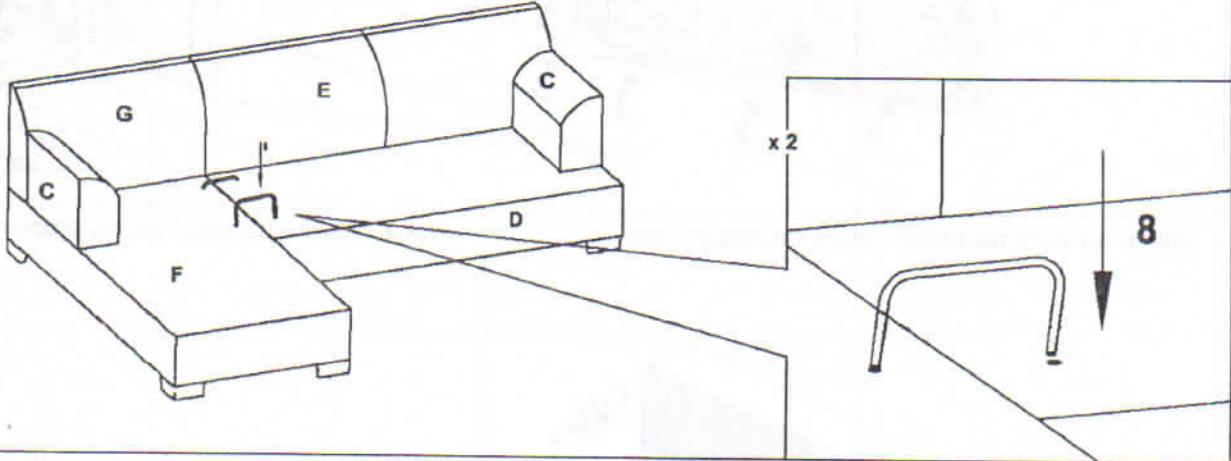


STEP 8- ONE-ARM CHAISE FRAME IS COMPLETE

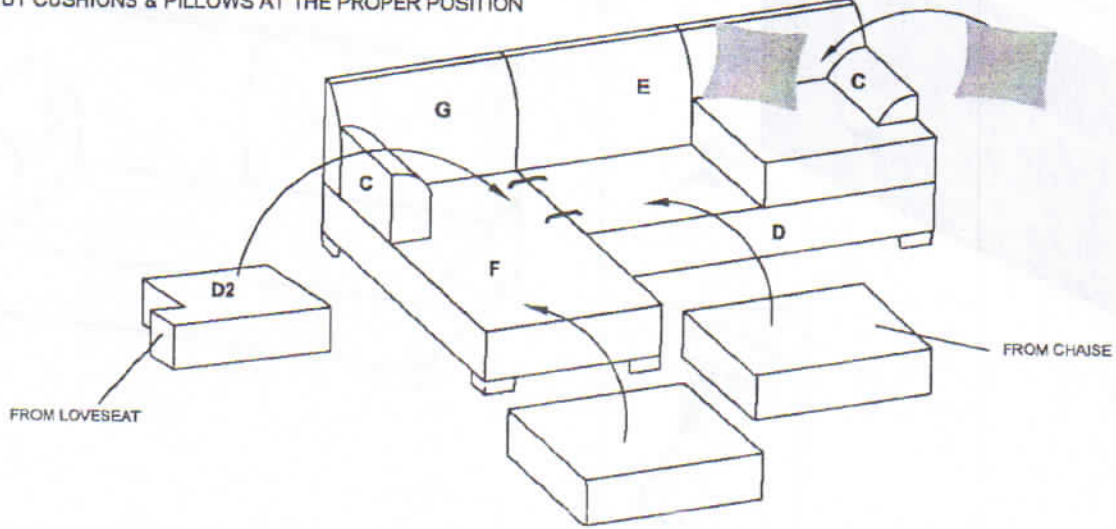


CHAISE + LOVESEAT (SECTIONAL)

STEP 9- INSERT THE OPTIONAL "n" SHAPE HANGER INTO THE ONE-ARM CHAISE FRAME AND ONE-ARM LOVESEAT FRAME TO ATTACH THEM TOGETHER



STEP 10- PUT CUSHIONS & PILLOWS AT THE PROPER POSITION



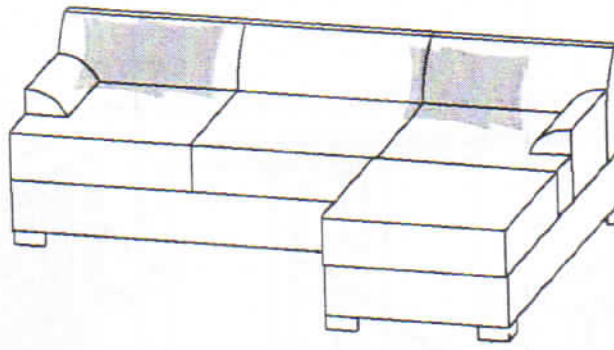
OPTION #2 - SECTIONAL

CHAISE ON THE RIGHT

MODEL: F7445 + F7446
F7448 + F7449
F7451 + F7452

NOTICE BEFORE ASSEMBLY

Parts and hardware for loveseat are found in loveseat package

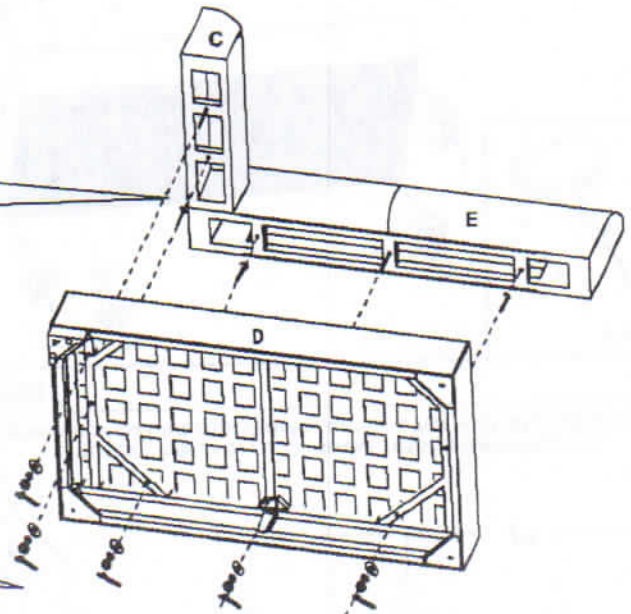
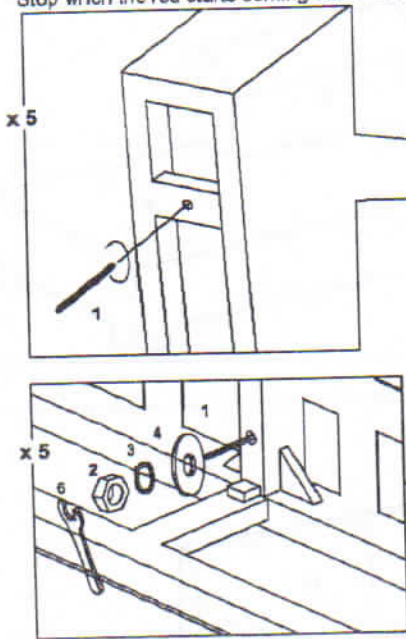


US PATENT # 7,922,253; 8,322,792 & 8,322,793

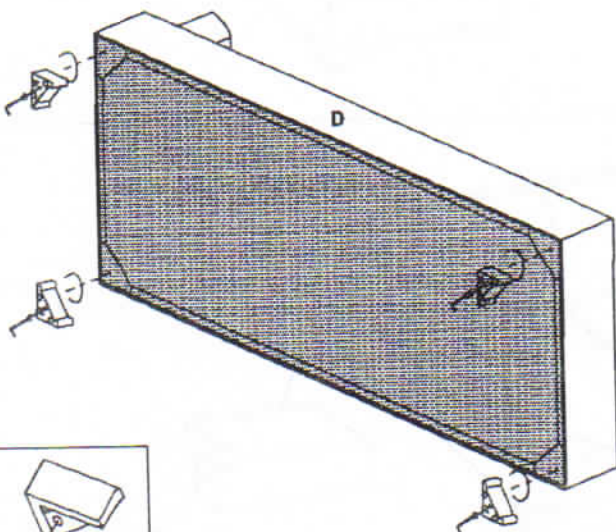
ONE-ARM LOVESEAT FRAME

STEP 2- MOUNT SEAT BACKS & ARMS INTO THE SEAT FRAME

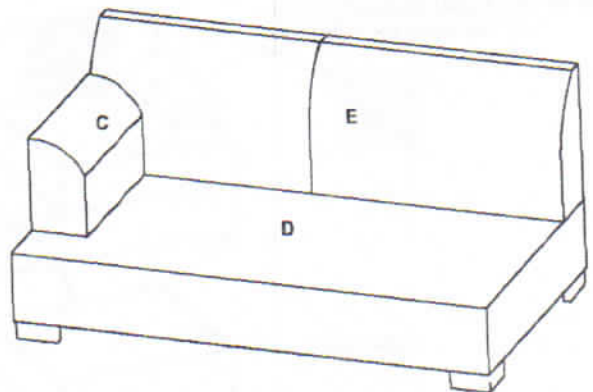
*Stop when the rod starts coming out on the other end



STEP 3- PUT BACK THE FABRIC COVER AND INSERT LEGS

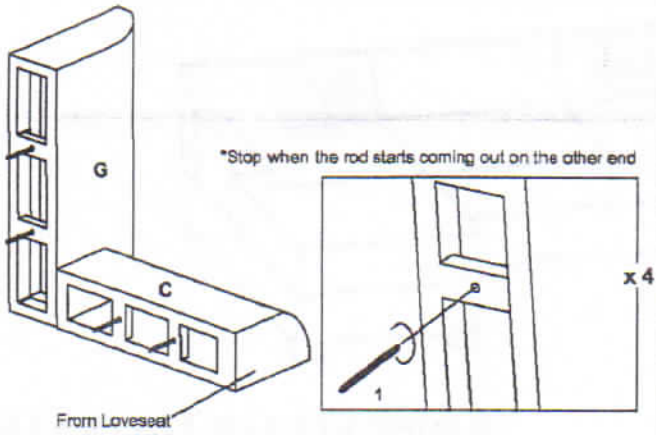


STEP 4- ONE-ARM LOVESEAT FRAME IS COMPLETE

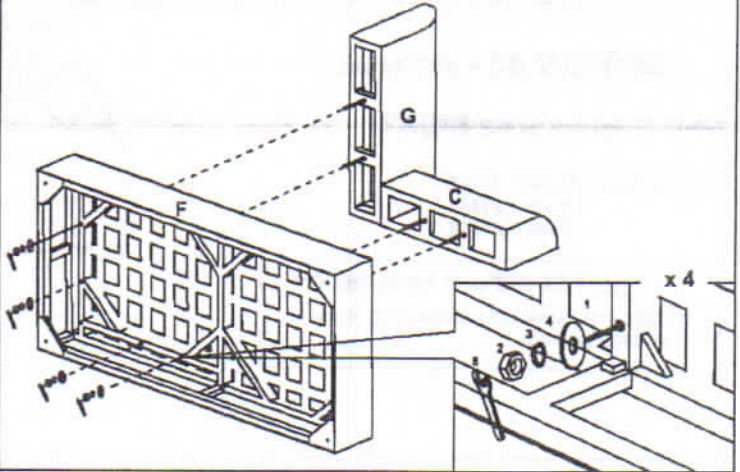


ONE-ARM CHAISE FRAME

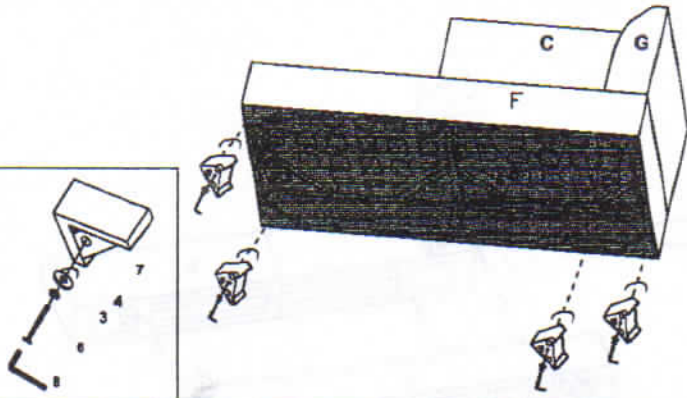
STEP 5- INSERT THREADED RODS INTO SEAT BACK PANEL & ARM



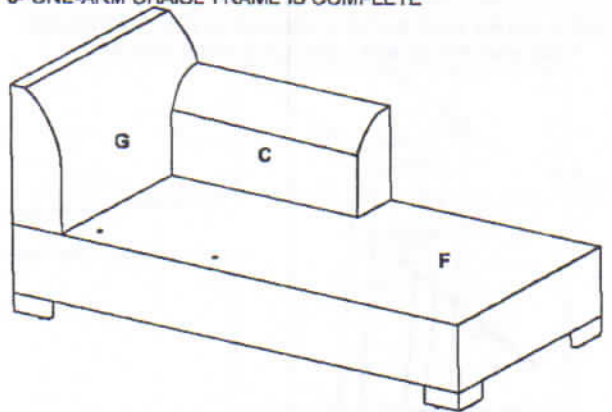
STEP 6- MOUNT SEAT BACKS & ARMS INTO THE SEAT FRAME



STEP 7- PUT BACK THE FABRIC COVER AND INSERT LEGS

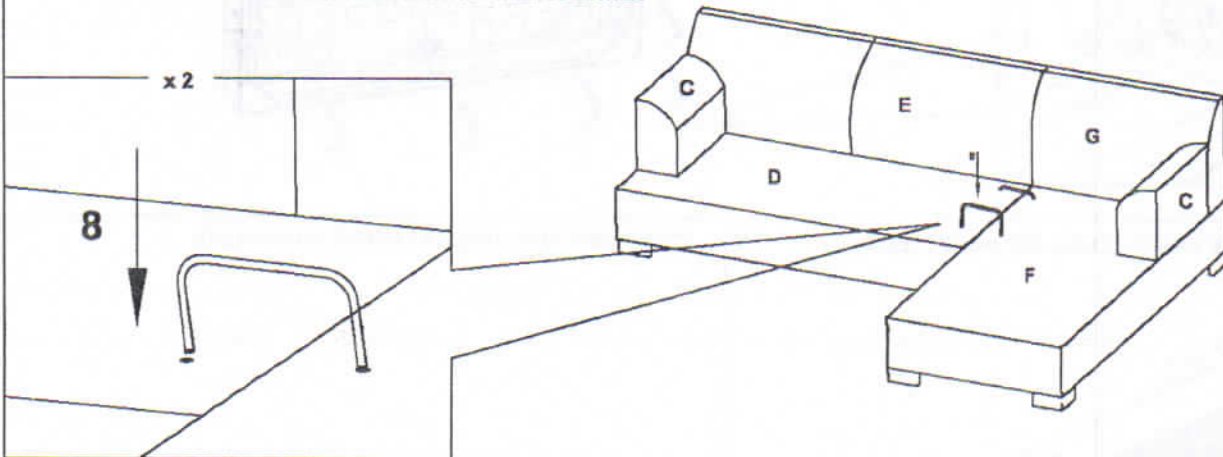


STEP 8- ONE-ARM CHAISE FRAME IS COMPLETE

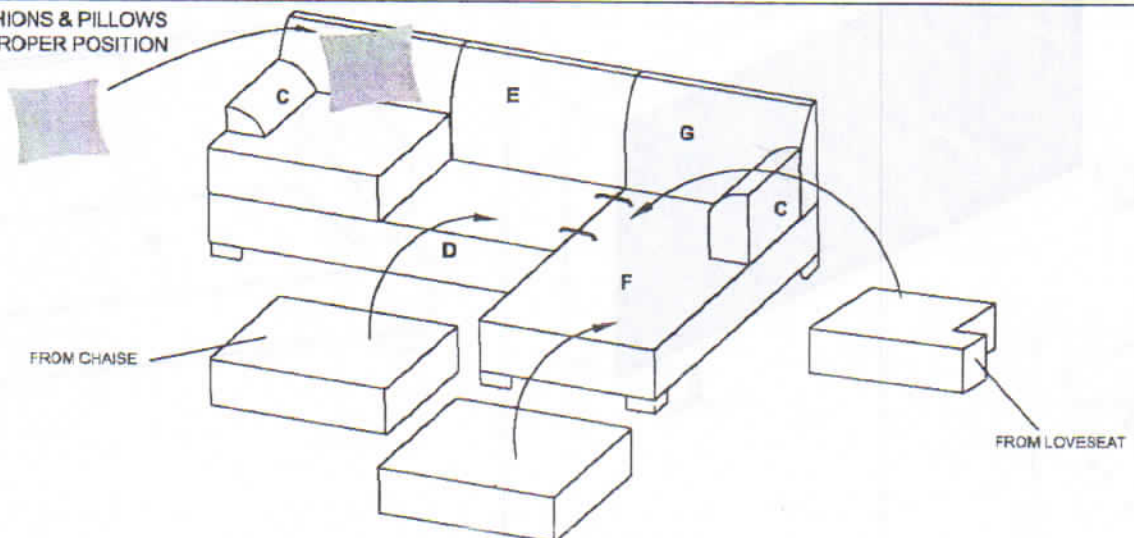


CHAISE + LOVESEAT (SECTIONAL)

STEP 9- INSERT THE OPTIONAL "n" SHAPE HANGER INTO THE ONE-ARM CHAISE FRAME AND ONE-ARM LOVESEAT FRAME TO ATTACH THEM TOGETHER



STEP 10- PUT CUSHIONS & PILLOWS AT THE PROPER POSITION



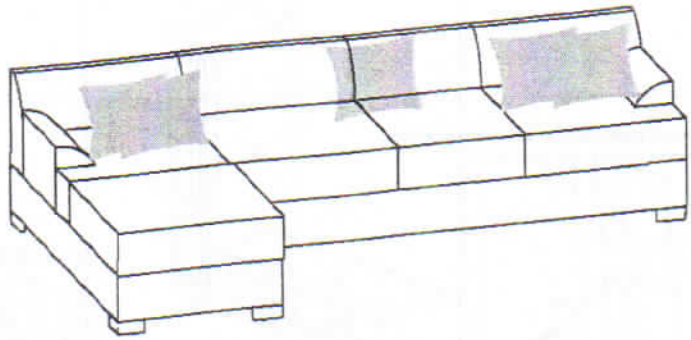
OPTION #4 - SECTIONAL

CHAISE ON THE LEFT

MODEL: F7445 + F7447
F7448 + F7450
F7451 + F7453

NOTICE BEFORE ASSEMBLY

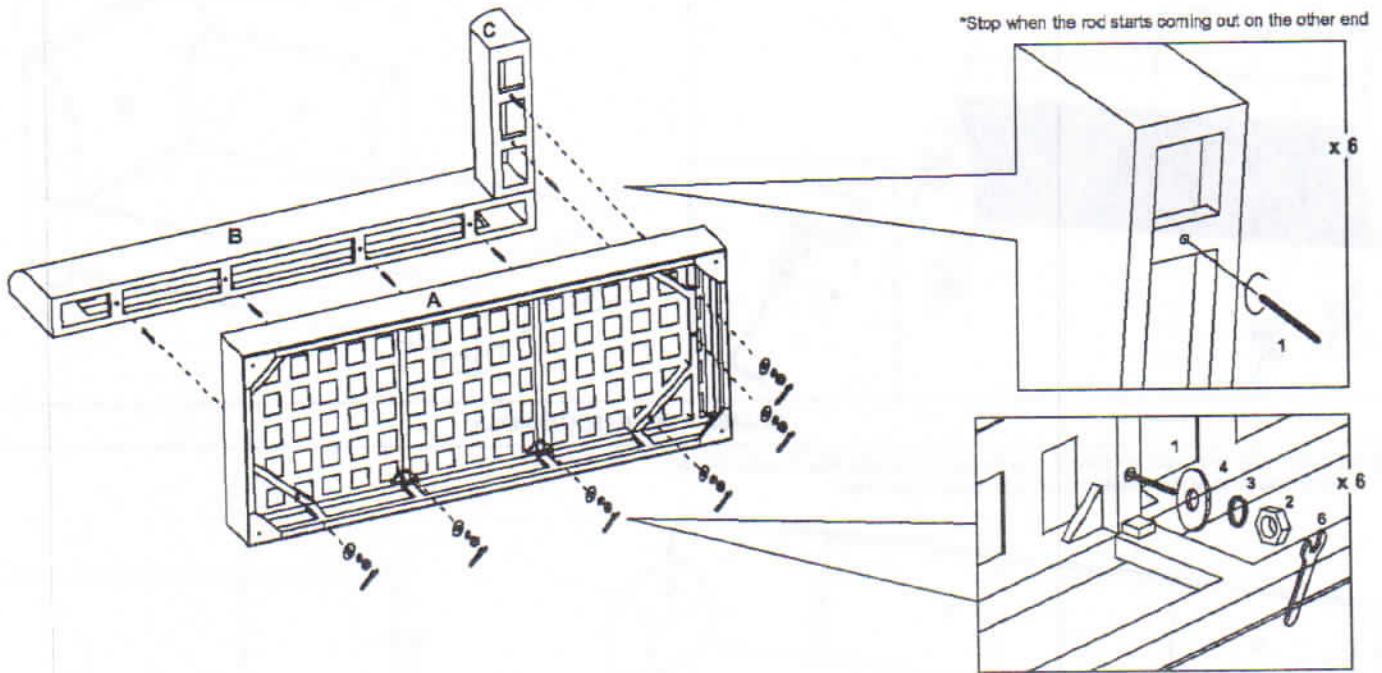
Parts and hardware for sofa are found in sofa package



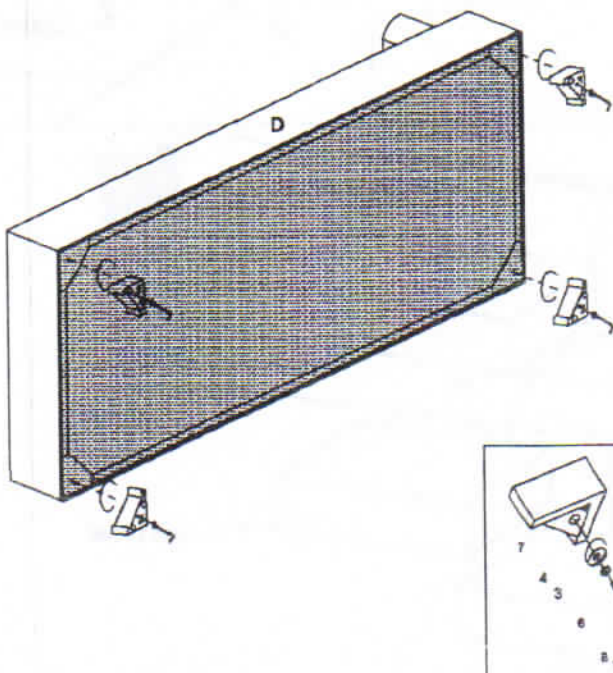
US PATENT # 7,922,253; 8,322,792 & 8,322,793

ONE-ARM SOFA FRAME

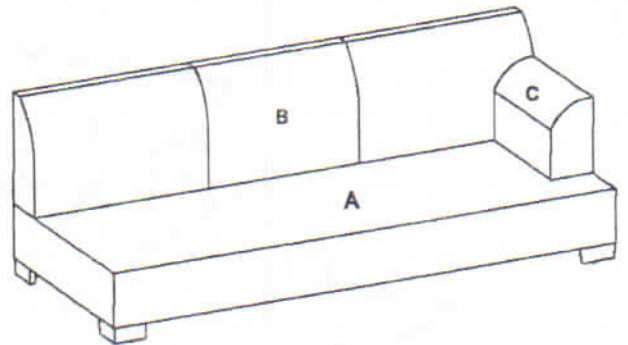
STEP 2- MOUNT SEAT BACKS & ARMS INTO THE SEAT FRAME



STEP 3- PUT BACK THE FABRIC COVER AND INSERT LEGS



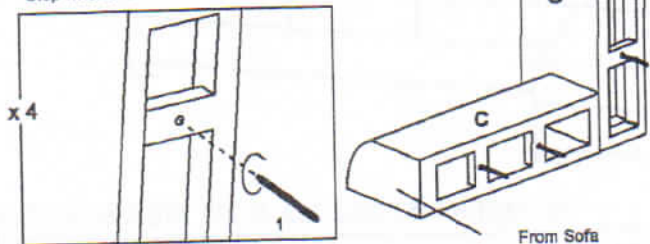
STEP 4- ONE-ARM SOFA FRAME IS COMPLETE



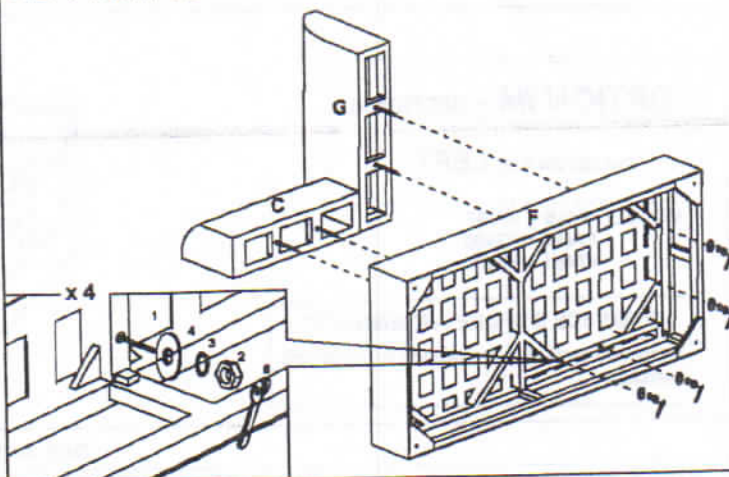
ONE-ARM CHAISE FRAME

STEP 5- INSERT THREADED RODS INTO SEAT BACK PANEL & ARM

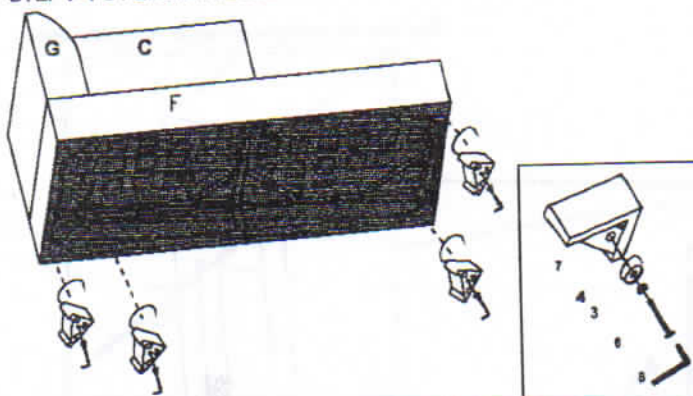
*Stop when the rod starts coming out on the other end



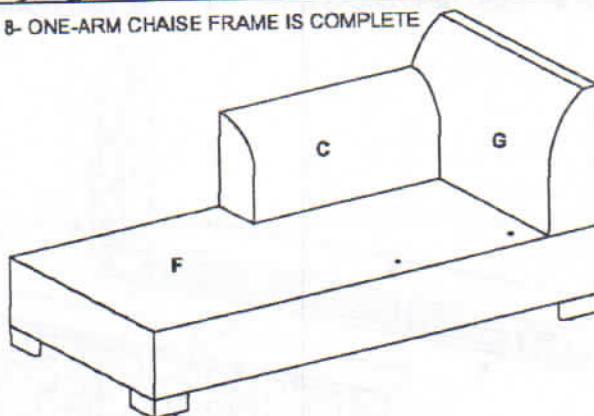
STEP 6- MOUNT SEAT BACKS & ARMS INTO THE SEAT FRAME



STEP 7- PUT BACK THE FABRIC COVER AND INSERT LEGS

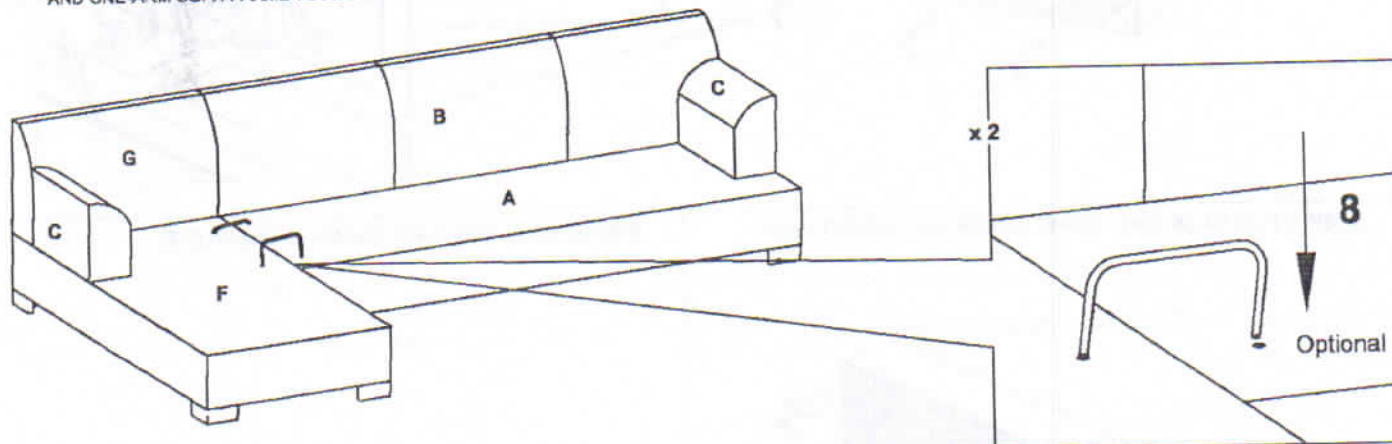


STEP 8- ONE-ARM CHAISE FRAME IS COMPLETE

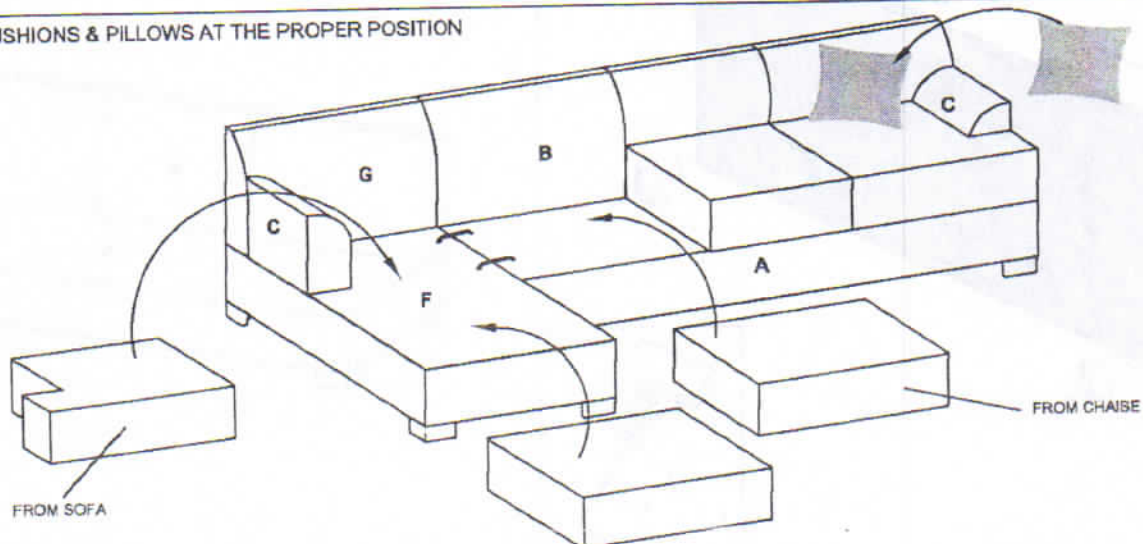


CHAISE + SOFA (SECTIONAL)

STEP 9- INSERT THE OPTIONAL "n" SHAPE HANGER INTO THE ONE-ARM CHAISE FRAME AND ONE-ARM SOFA FRAME TO ATTACH THEM TOGETHER



STEP 10- PUT CUSHIONS & PILLOWS AT THE PROPER POSITION



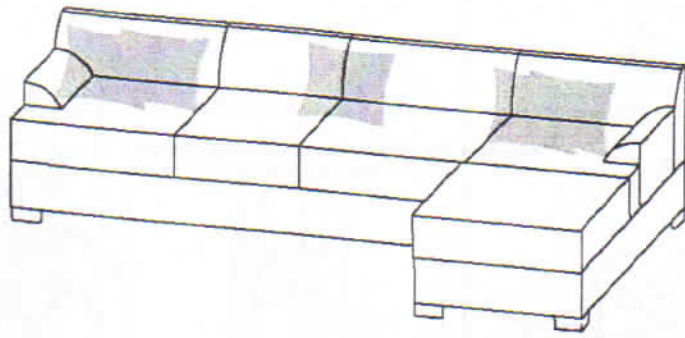
OPTION #5 - SECTIONAL

CHAISE ON THE RIGHT

MODEL: F7445 + F7447
F7448 + F7450
F7451 + F7453

NOTICE BEFORE ASSEMBLY

Parts and hardware for sofa are found in sofa package

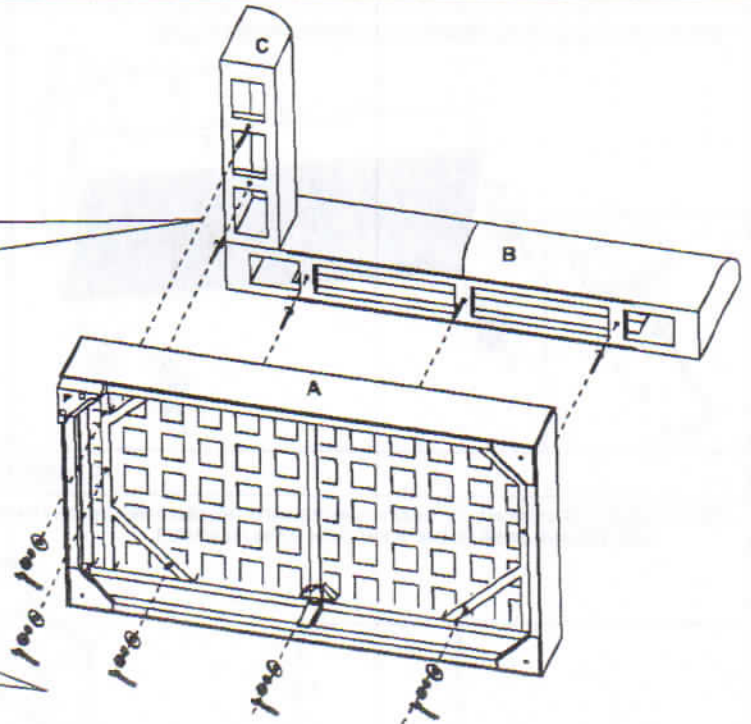
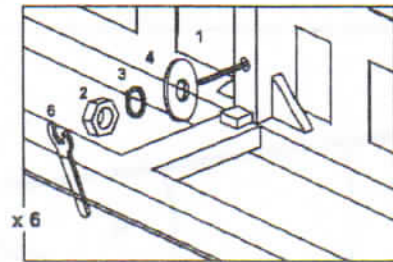
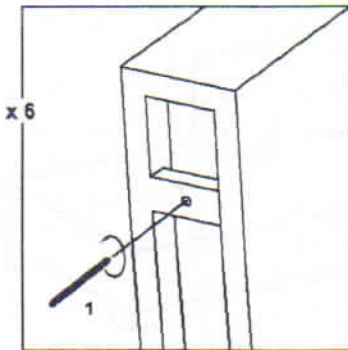


US PATENT # 7,922,253; 8,322,792 & 8,322,793

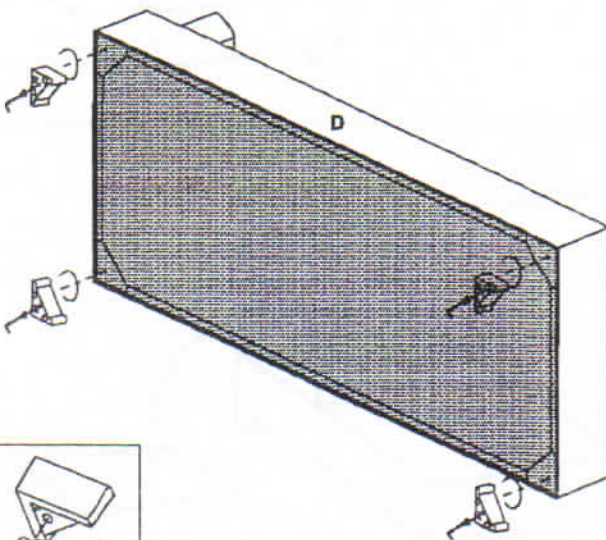
ONE-ARM SOFA FRAME

STEP 2- MOUNT SEAT BACKS & ARMS INTO THE SEAT FRAME

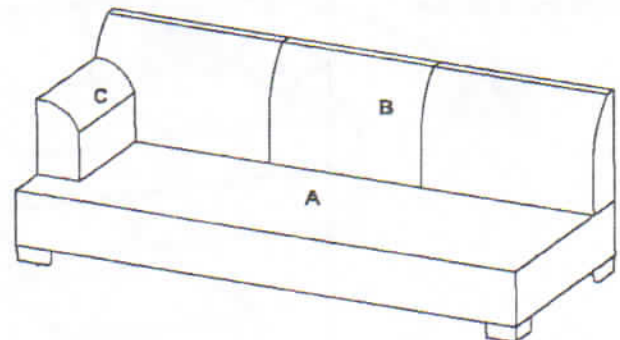
*Stop when the rod starts coming out on the other end



STEP 3- PUT BACK THE FABRIC COVER AND INSERT LEGS

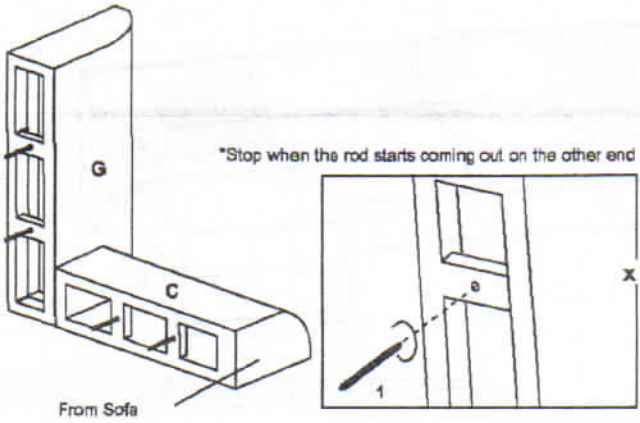


STEP 4- ONE-ARM SOFA FRAME IS COMPLETE

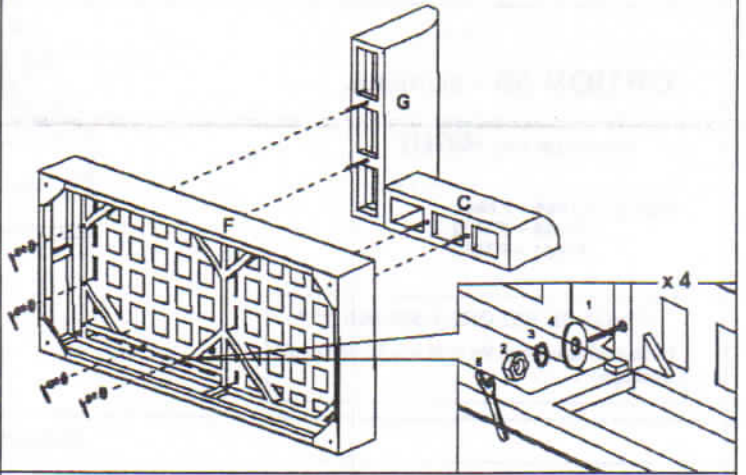


ONE-ARM CHAISE FRAME

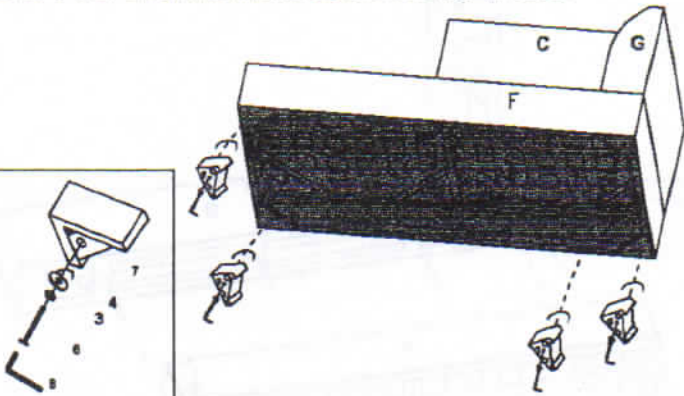
STEP 5- INSERT THREADED RODS INTO SEAT BACK PANEL & ARM



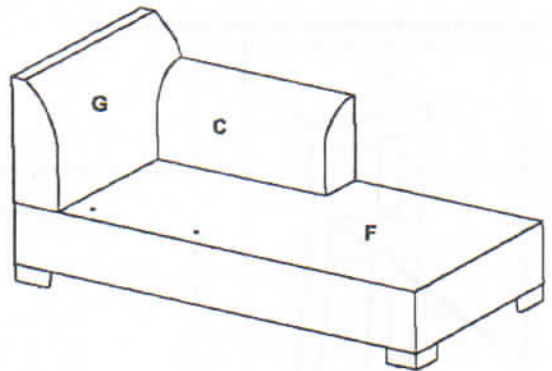
STEP 6- MOUNT SEAT BACKS & ARMS INTO THE SEAT FRAME



STEP 7- PUT BACK THE FABRIC COVER AND INSERT LEGS

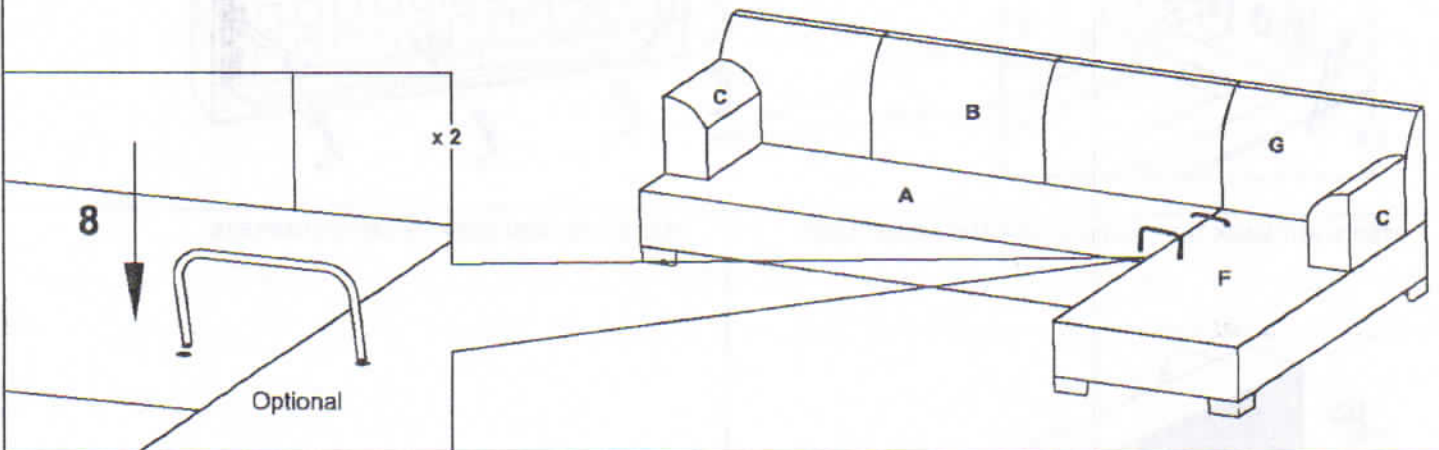


STEP 8- ONE-ARM CHAISE FRAME IS COMPLETE



CHAISE + SOFA (SECTIONAL)

STEP 9- INSERT THE OPTIONAL "n" SHAPE HANGER INTO THE ONE-ARM CHAISE FRAME AND ONE-ARM SOFA FRAME TO ATTACH THEM TOGETHER



STEP 10- PUT CUSHIONS & PILLOWS AT THE PROPER POSITION

