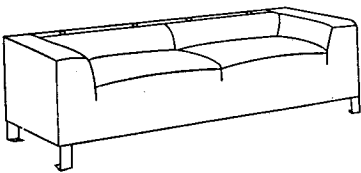
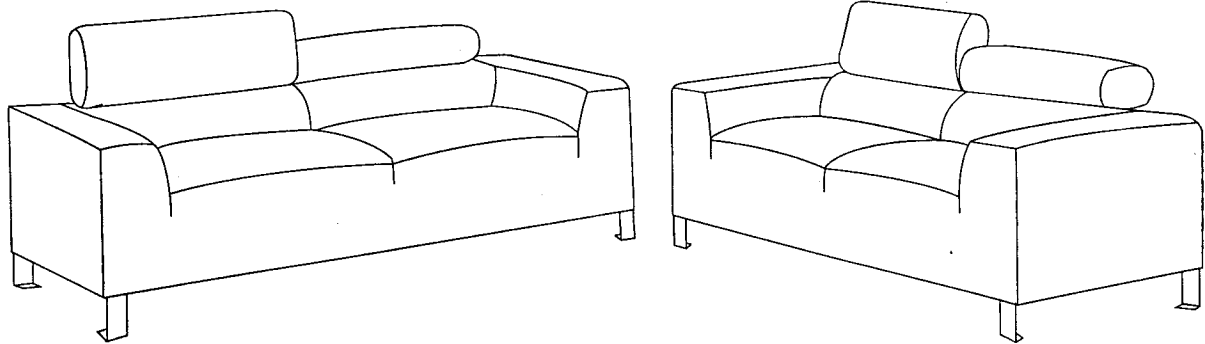
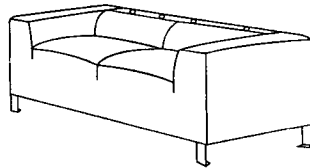


Assembly Instructions

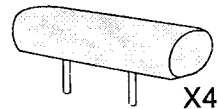
Item No.: F7264, F7265, F7267



A

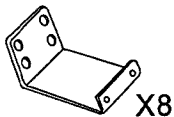


B



X4

C



X8

D



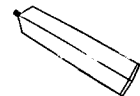
X32

E



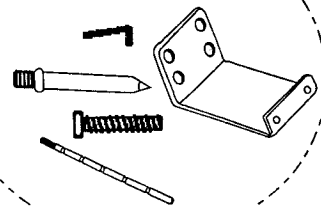
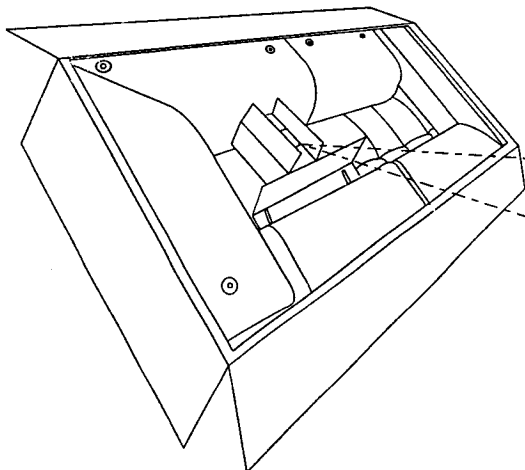
X2

F

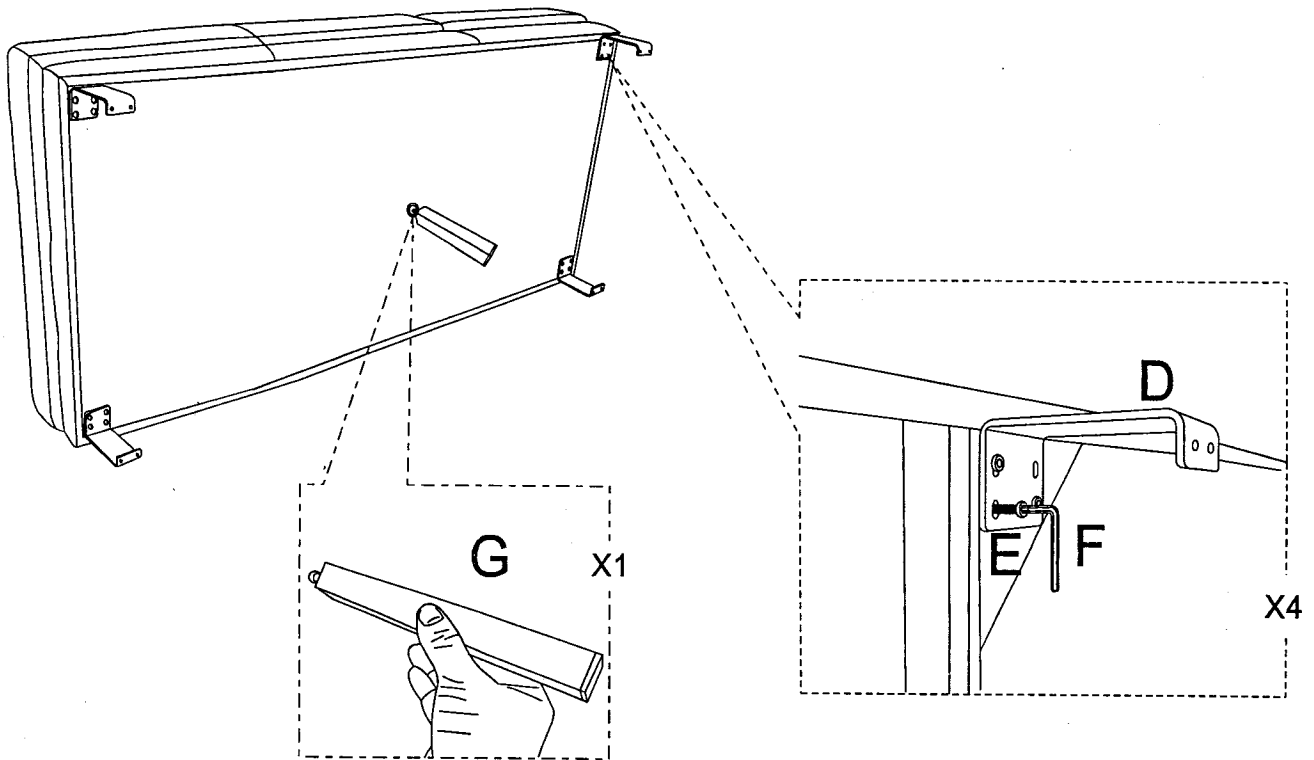


X1

G



Step 1: Assemble the leg (D) onto the seat frame (A & B) with 4 pcs bolt (E) by Allen wrench (F)



Step 2: Insert headrest (C) onto the backrest of sofa (A) & chaise (B).

