

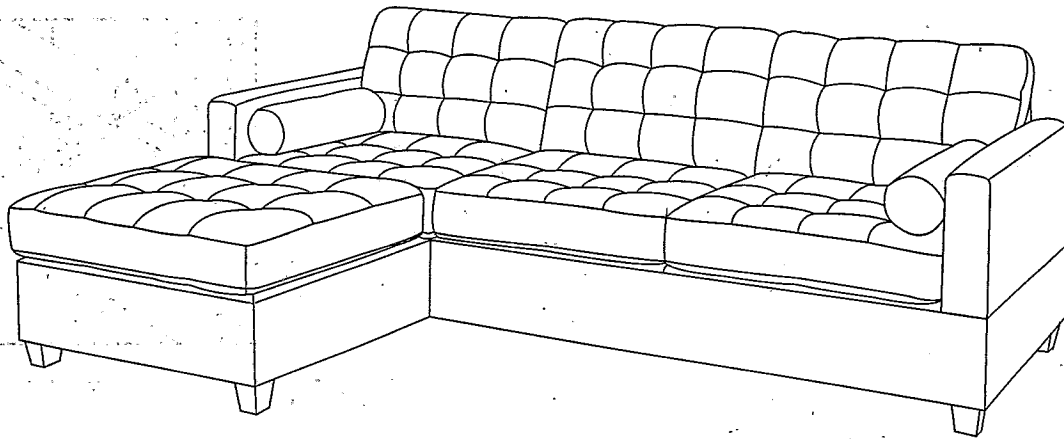
NOTICE BEFORE ASSEMBLY

Please choose the **Chaise** will be on the **LEFT** or **RIGHT** hand side

ASSEMBLY INSTRUCTION

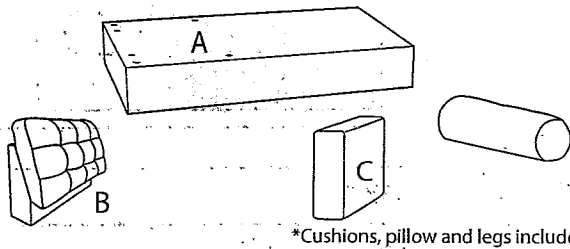
FOR MODEL NO. : F7587, F7588, F7571, F7564

[CHAISE ON THE LEFT]



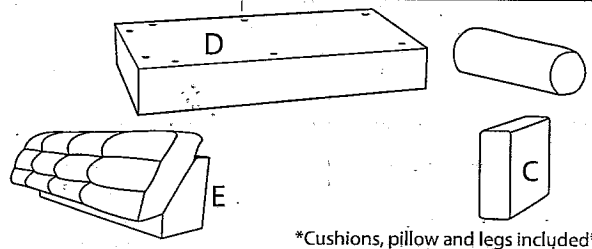
PARTS LIST

BOX-1




Cushions, pillow and legs included

BOX-2



Cushions, pillow and legs included

1.  x9

2.  x9

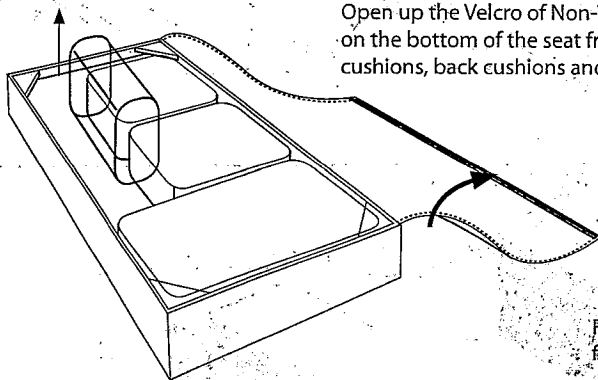
3.  x9

4.  x9

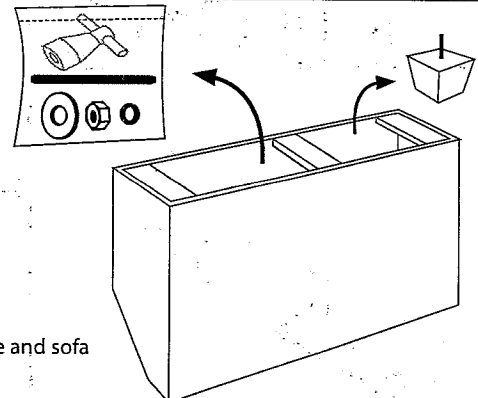
5.  x1

6.  x8

BEFORE ASSEMBLY

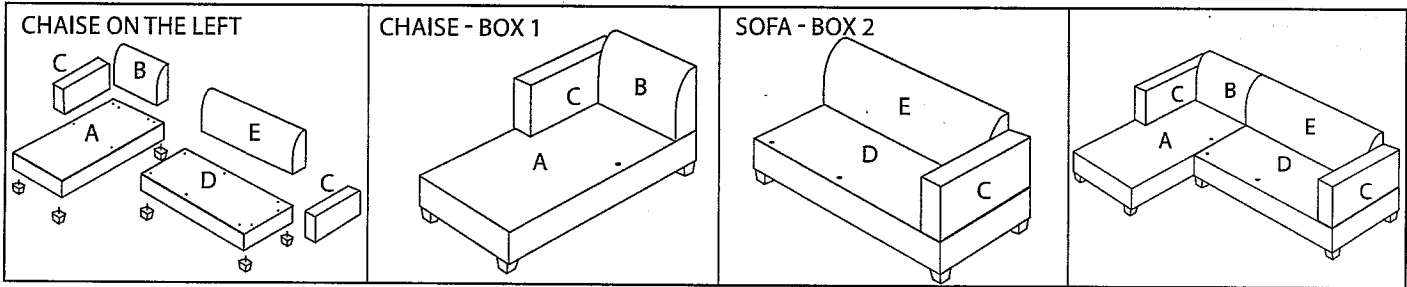


Open up the Velcro of Non-Woven Fabric cover on the bottom of the seat frame to remove seat cushions, back cushions and pillow



Remove hardware for chaise and sofa from inside the seat backs.

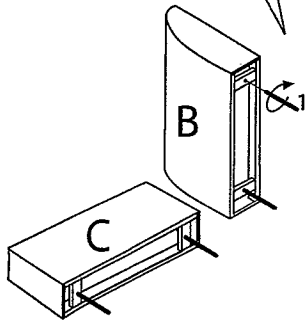
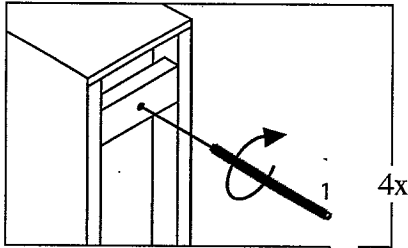
PLEASE REMOVE ALL PARTS FROM SEAT FRAMES AND SEAT BACKS BEFORE ASSEMBLY



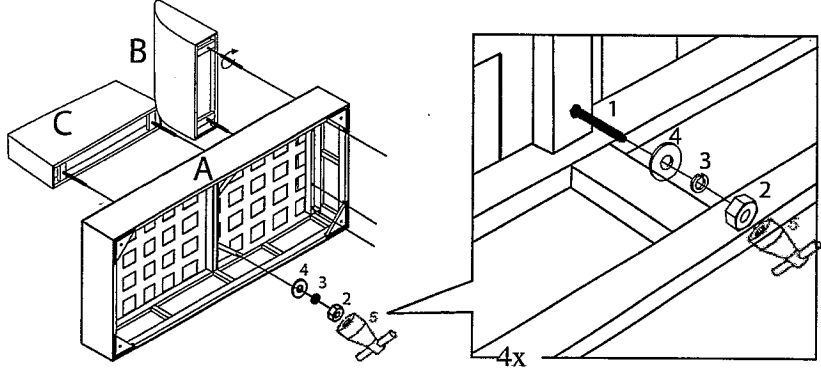
CHAISE ASSEMBLY INSTRUCTION-BOX 1

STEP 1- INSERT THREADED ROD INTO SEAT BACKS

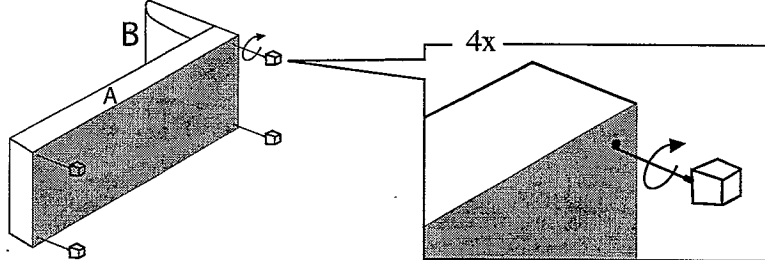
*Stop when the rod starts coming out on the other end



STEP 2- MOUNT SEAT BACKS INTO THE SEAT FRAME



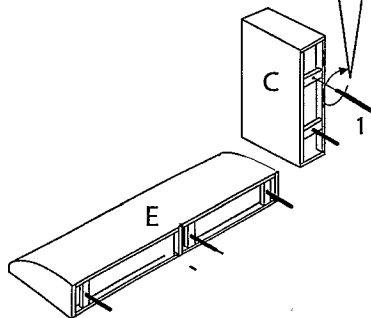
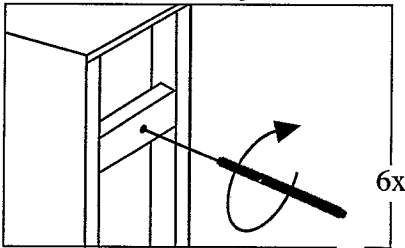
STEP 3- PUT BACK THE FABRIC COVER AND INSERT LEGS



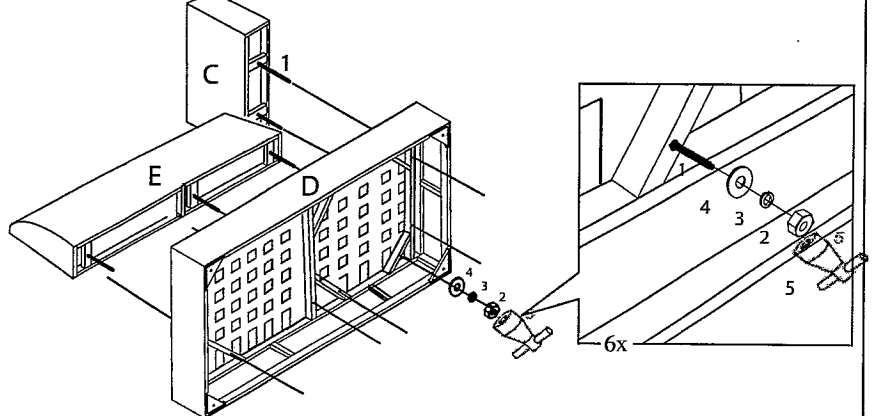
SOFA ASSEMBLY INSTRUCTION - BOX 2

STEP 1- INSERT THREADED RODS INTO THE SEAT BACK AND THE ARM

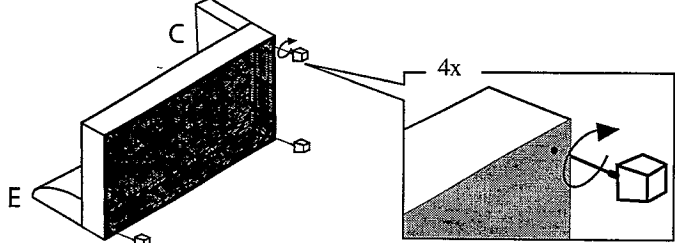
*Stop when the rod starts coming out on the other end



STEP 2- MOUNT THE SEAT BACK AND THE ARM INTO THE SEAT FRAME



STEP 3- PUT BACK THE FABRIC COVER AND INSERT LEGS



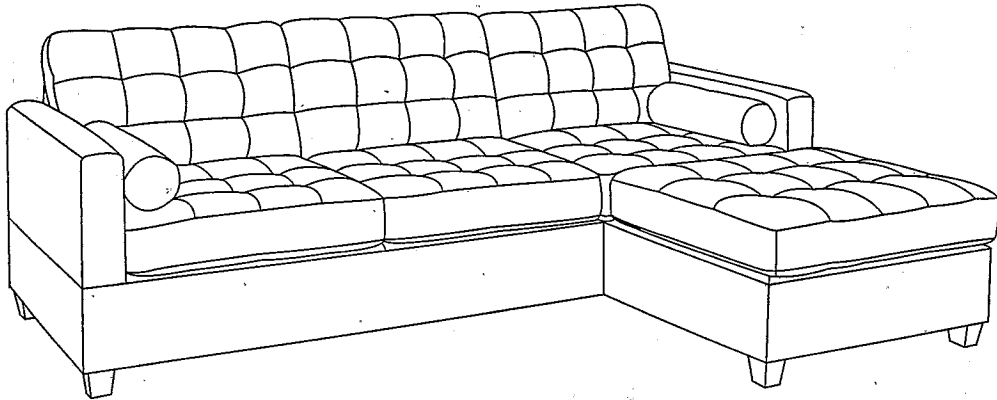
NOTICE BEFORE ASSEMBLY

Please choose the **Chaise** will be on the **LEFT** or **RIGHT** hand side

ASSEMBLY INSTRUCTION

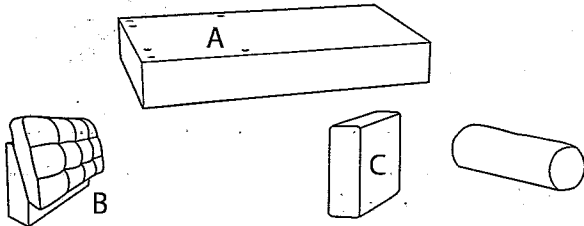
FOR MODEL NO. : F7587, F7588, F7571, F7564

[CHAISE ON THE RIGHT]



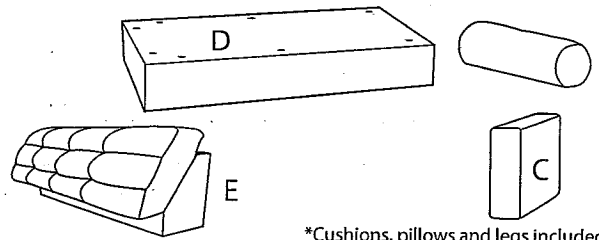
PARTS LIST

BOX-1



Cushions, pillows and legs included

BOX-2



Cushions, pillows and legs included

1. x9

2. x9

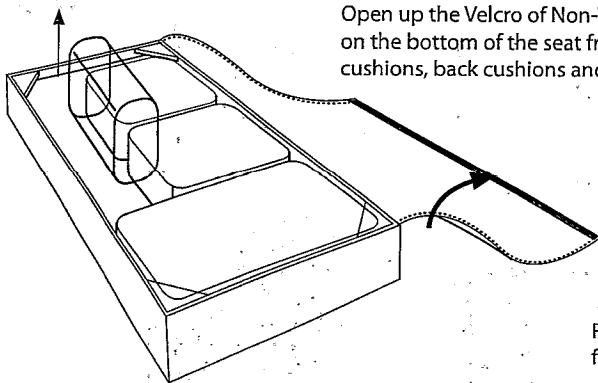
3. x9

4. x9

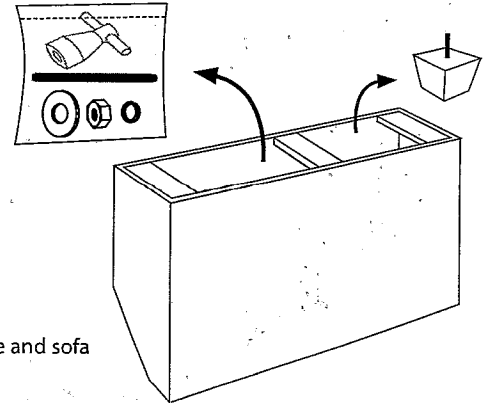
5. x1

6. x8

BEFORE ASSEMBLY

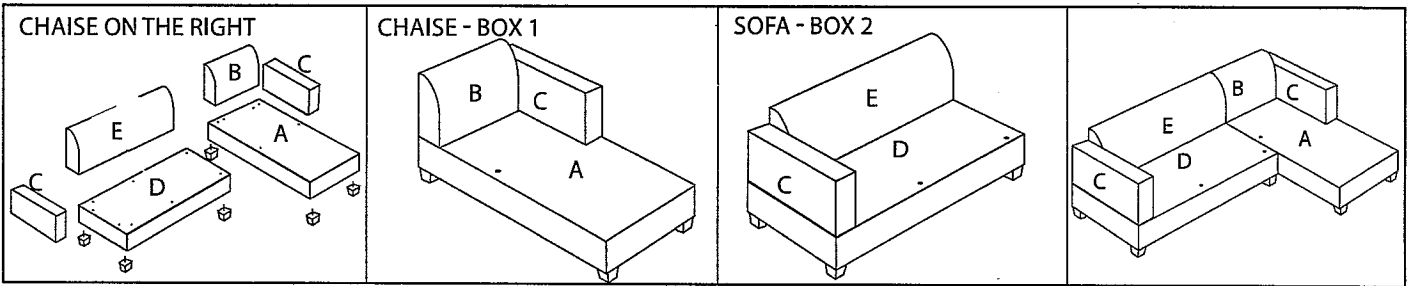


Open up the Velcro of Non-Woven Fabric cover on the bottom of the seat frame to remove seat cushions, back cushions and pillow



Remove hardware for chaise and sofa from inside the seat backs.

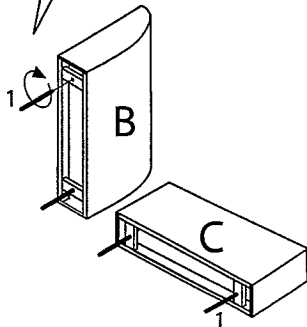
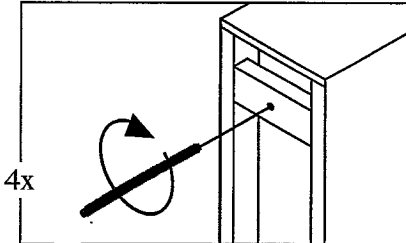
PLEASE REMOVE ALL PARTS FROM SEAT FRAMES AND SEAT BACKS BEFORE ASSEMBLY



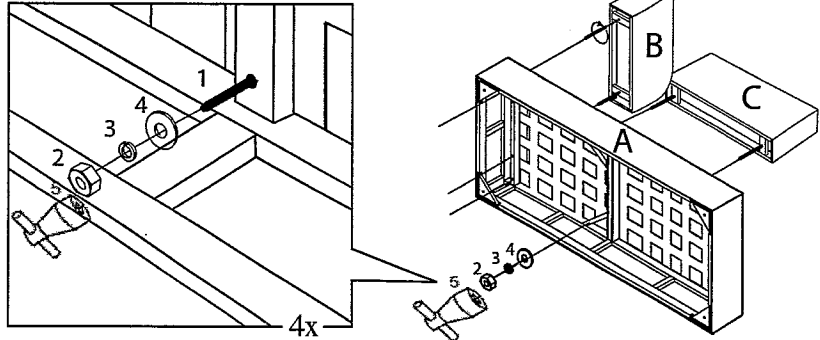
CHAISE ASSEMBLY INSTRUCTION-BOX 1

STEP 1- INSERT THREADED ROD INTO SEAT BACKS

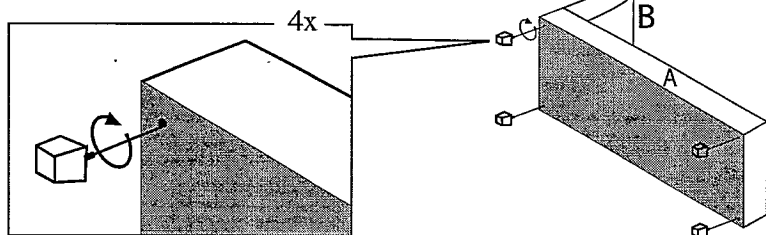
*Stop when the rod starts coming out on the other end



STEP 2- MOUNT SEAT BACKS INTO THE SEAT FRAME



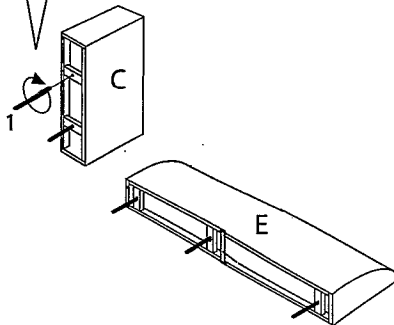
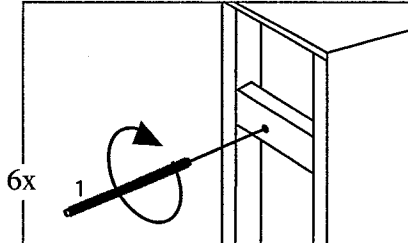
STEP 3- PUT BACK THE FABRIC COVER AND INSERT LEGS



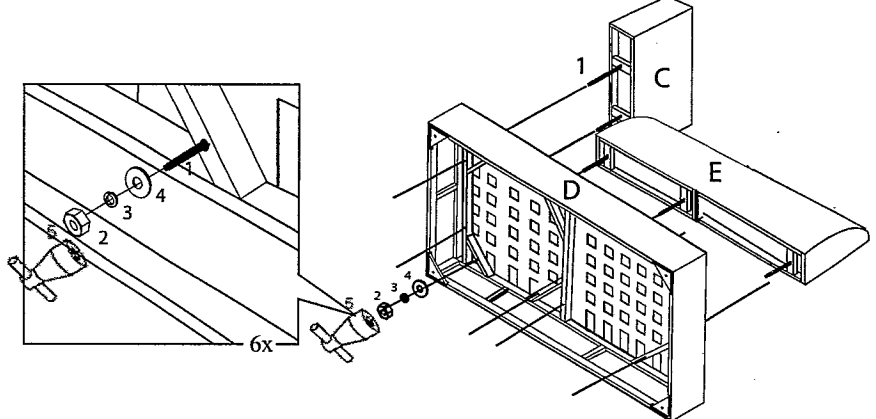
SOFA ASSEMBLY INSTRUCTION - BOX 2

STEP 1- INSERT THREADED RODS INTO THE SEAT BACK AND THE ARM

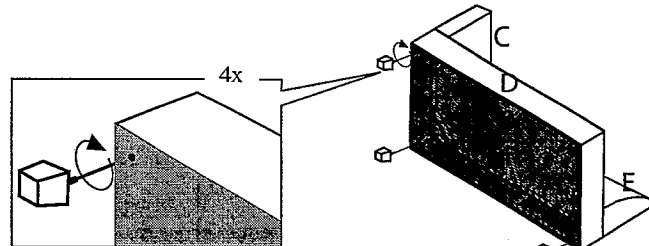
*Stop when the rod starts coming out on the other end



STEP 2- MOUNT THE SEAT BACK AND THE ARM INTO THE SEAT FRAME

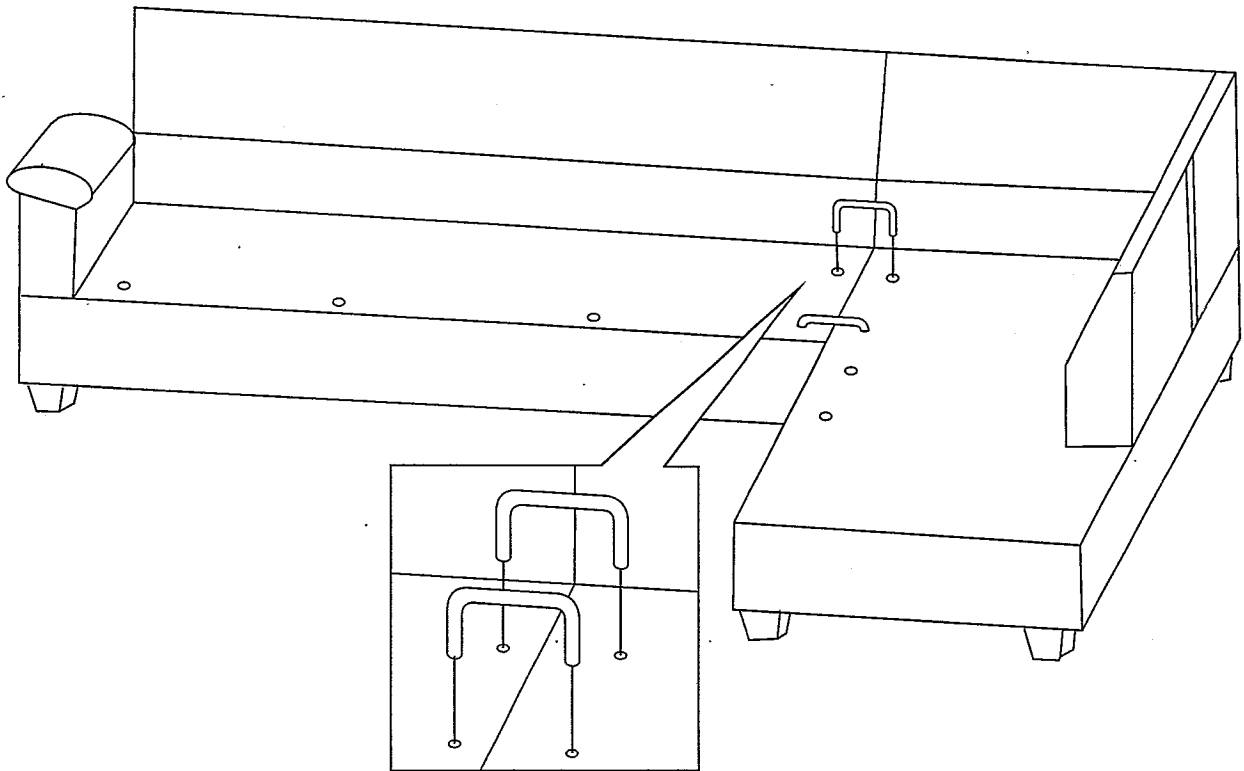


STEP 3- PUT BACK THE FABRIC COVER AND INSERT LEGS



OPTIONAL: CHAISE + SOFA(SECTIONAL)

STEP1-INSERT THE "N" SHAPE HANGER INTO THE ONE-ARM CHASE FRAME AND ONE-ARM SOFA FRAME TO ATTACH TOGETHER



CHAISE + SOFA(SECTIONAL)

STEP1-INSERT THE "N" SHAPE HANGER INTO THE ONE-ARM CHASE FRAME AND ONE-ARM SOFA FRAME TO ATTACH TOGETHER

