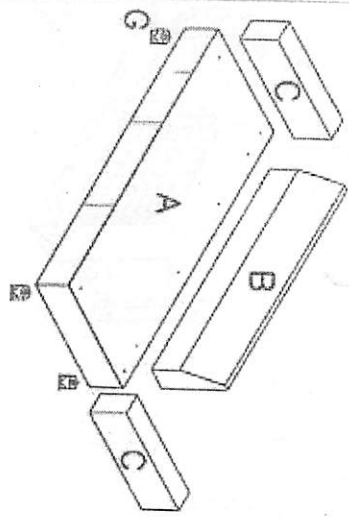
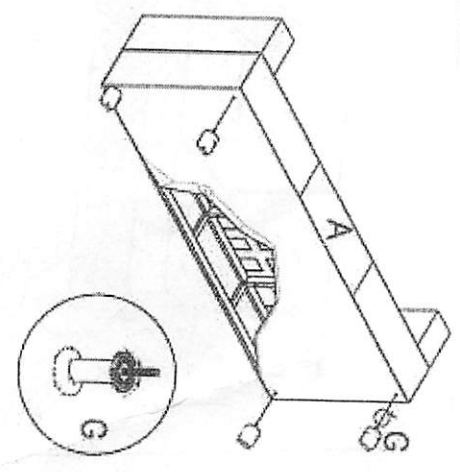


*US PATENT = 7,922,253;8,322,792;8,322,793
 F7561-2, F7562-2, F7563-2,

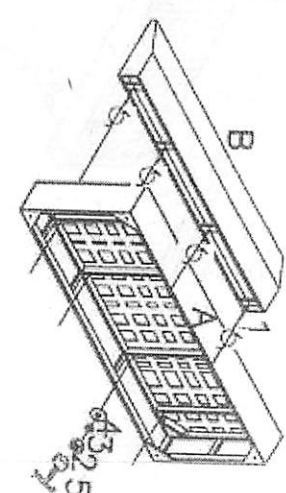
| | | | | | |
|---|------|---|--|-------|------|
| A | 1pc | 1 | | 100mm | 8pcs |
| B | 1pc | 2 | | 100mm | 8pcs |
| C | 2pcs | 3 | | 100mm | 8pcs |
| G | 4pcs | 4 | | 100mm | 8pcs |
| | | 5 | | 100mm | 1pc |



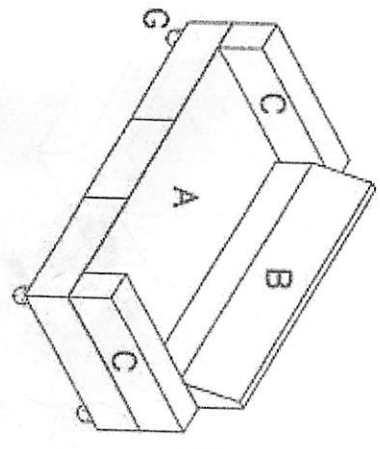
3



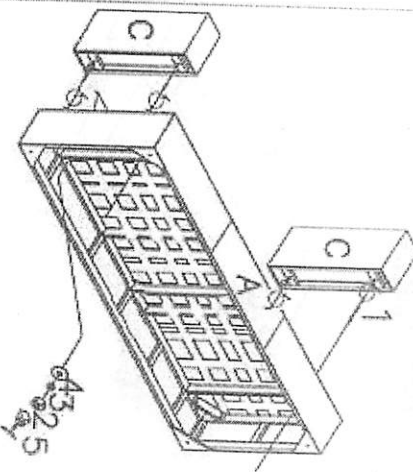
| | | | | | |
|--|--|---|--|-------|-------|
| | | 1 | | 100mm | 4 pcs |
| | | | | 100mm | 4 pcs |
| | | | | 100mm | 4 pcs |
| | | | | 100mm | 1 pc |



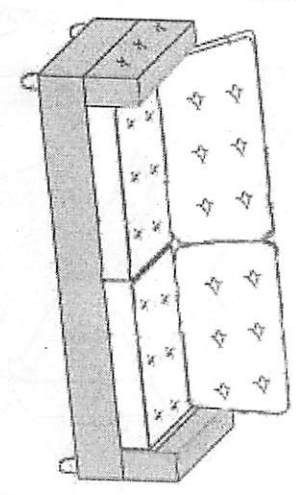
4



| | | | | | |
|--|--|---|--|-------|-------|
| | | 2 | | 100mm | 4 pcs |
| | | | | 100mm | 4 pcs |
| | | | | 100mm | 4 pcs |
| | | | | 100mm | 1 pc |



5



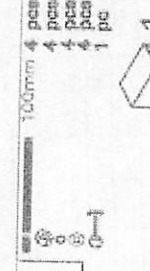
*US PATENT # 7,922,253; 8,322,792; 8,322,793
 F7561-1, F7562-1, F7563-1,

| | | | | |
|---|------|---|-------|------|
| A | 1pc | 1 | 100mm | 7pcs |
| B | 1pc | 2 | ⊗ | 7pcs |
| C | 2pcs | 3 | o | 7pcs |
| G | 4pcs | 4 | ⊙ | 7pcs |
| | | 5 | D-I | 1pc |

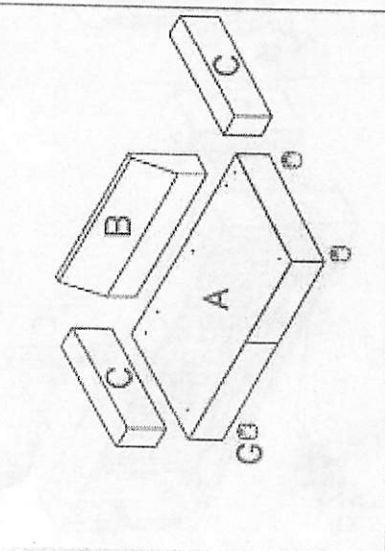
1



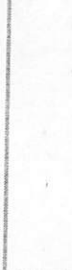
2



3



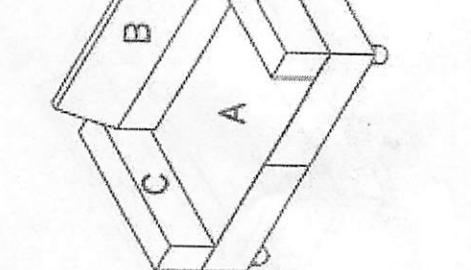
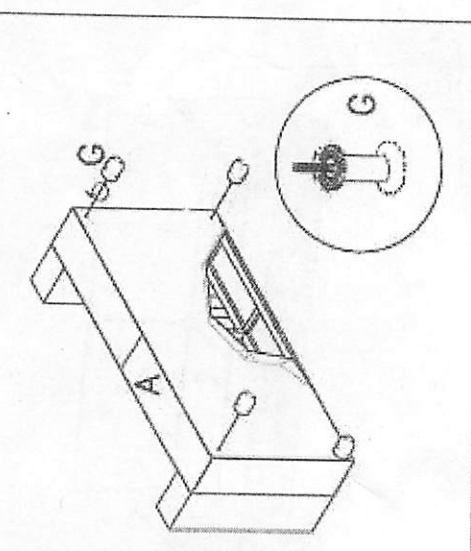
4



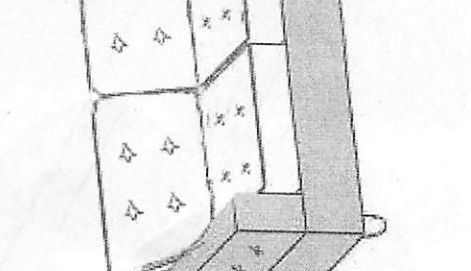
5



6



9



10



11



12



13