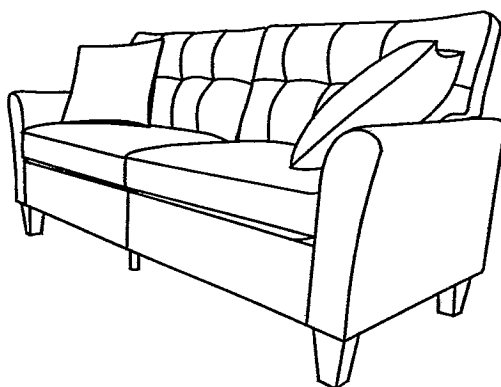
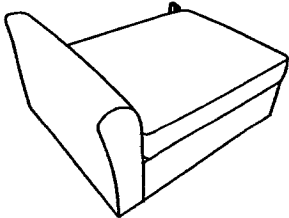
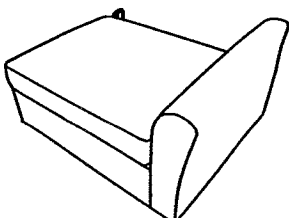
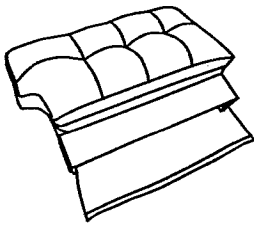
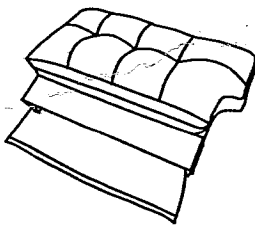

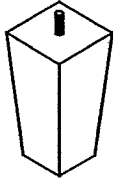
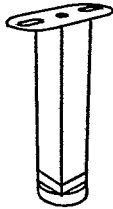




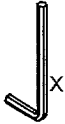


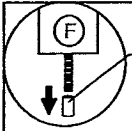
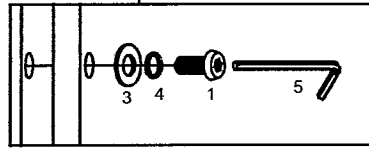
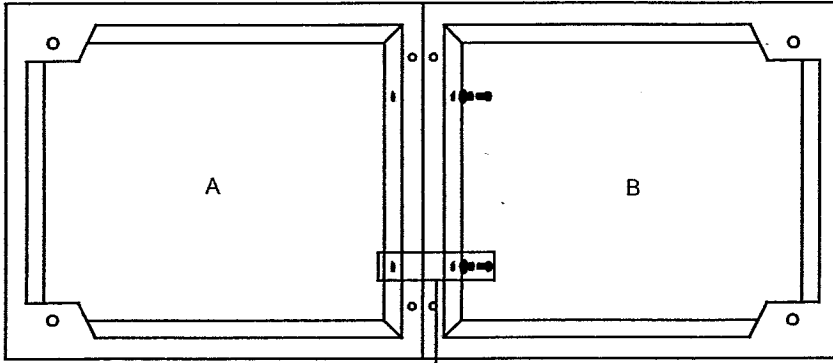
Assembly Instruction

Item No.: F6533, F6534, F6535



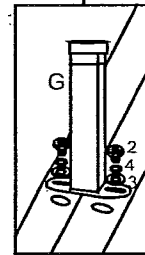
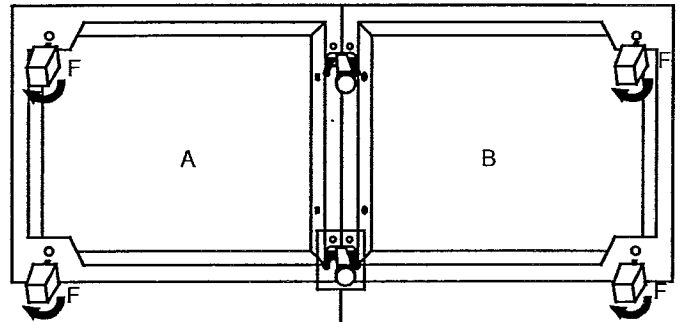
 <p>A X1</p>	 <p>B X1</p>	 <p>C X1</p>	 <p>D X1</p>	
 <p>E X2</p>	 <p>F X4</p>	 <p>G X2</p>		
 <p>1 X2</p>	 <p>2 X4</p>	 <p>3 X6</p>	 <p>4 X6</p>	 <p>5 X1</p>

Step 1

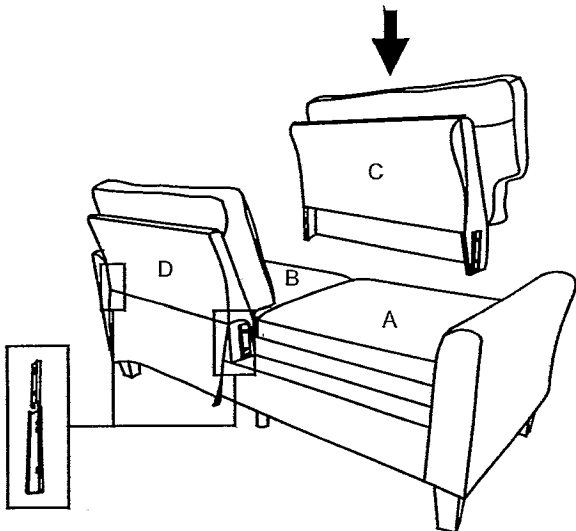


▲ Please remove the protective cap on the tip of thread before assembling.

Step 2



Step 3



Step 4

