

Assembly Instructions

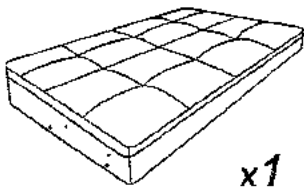
ITEM NO.: **F7888, F7889, F7890**



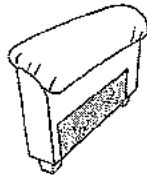
Chaise Sofas

ChaiseSofas.com.au
Phone 1800 763 228

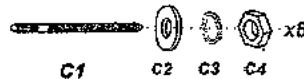
PARTS LIST



x1



x2



x8



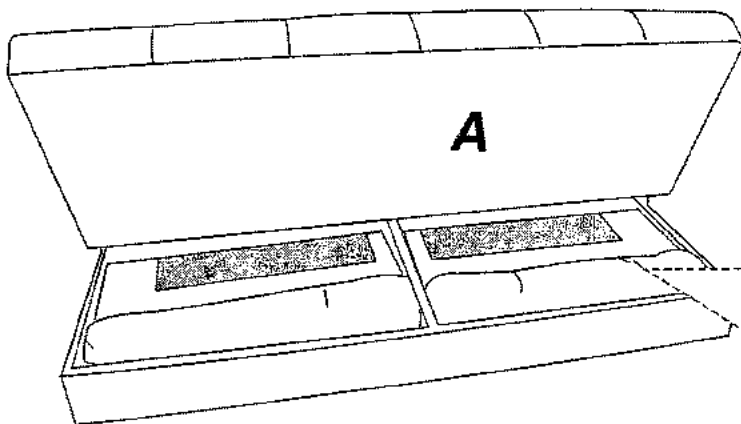
x1

A

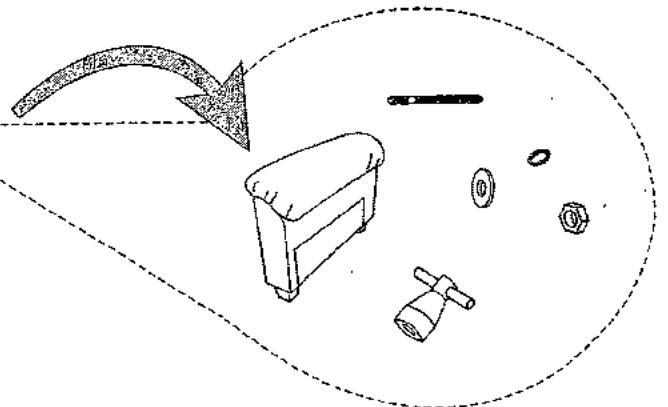
B

C

D

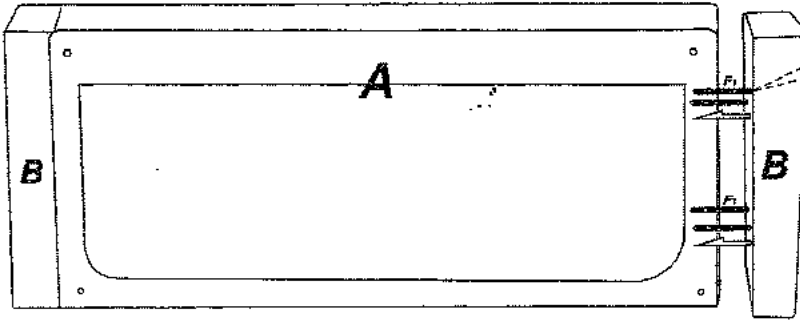
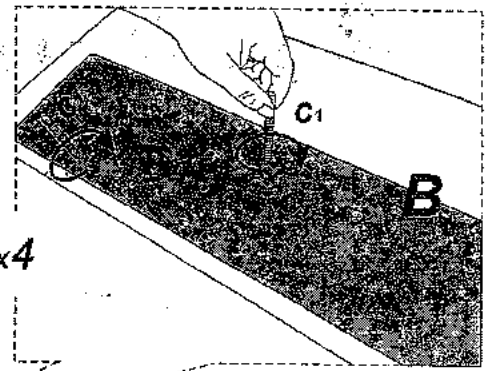


A

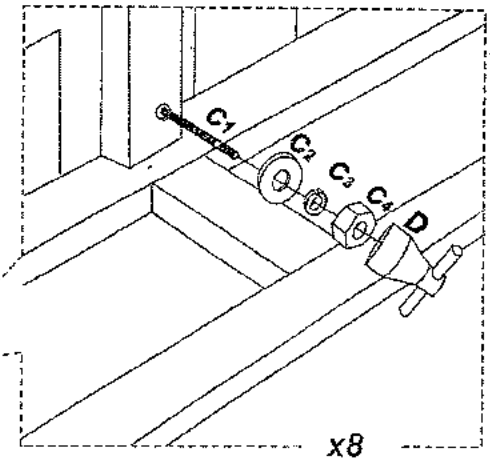


Take out two ARMRESTs, contained in the storage of the SEAT, as shown below.

With the assistance of another adult, place sofa upside down onto a clean, padded surface.



Insert 4pcs threaded rods into each arm, and then mount it onto the seat frame by tightening nut with spring washer & flat washer as shown using a wrench.



BED POSITION/POSITION LIT



Chaise Sofas

ChaiseSofas.com.au

Phone 1800 763 228

