

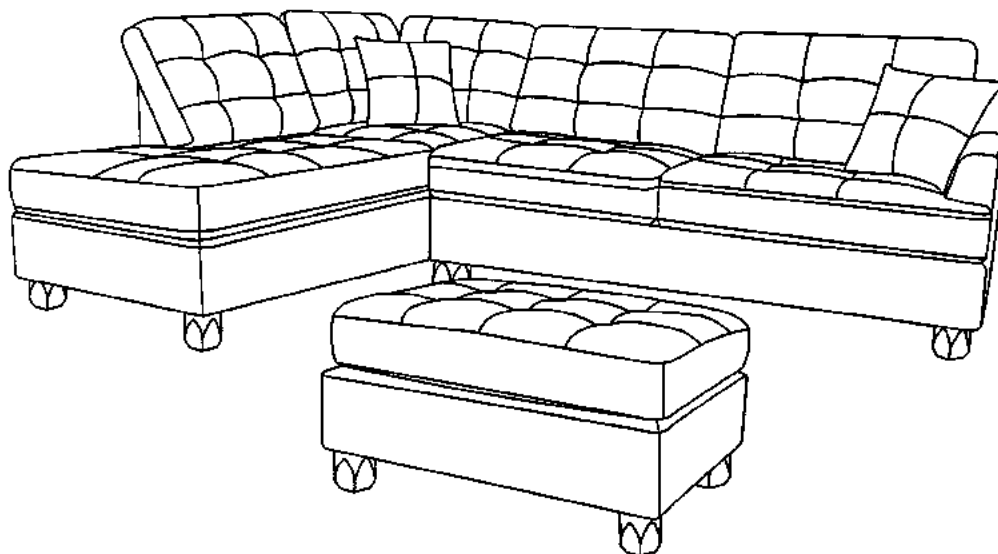
BOBKONA®

*US PATENT # 7,922,253;8,322,792;8,322,793
F6855,F6856,F6857,F6858,F6859

***** NOTICE BEFORE ASSEMBLY *****

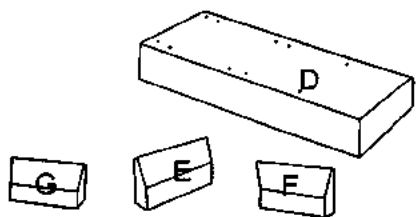
Please choose the **CHAISE** will be on
the **LEFT** or **RIGHT** hand side.

#Assembly Instruction I: CHAISE ON THE LEFT

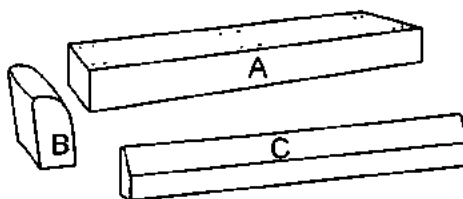


PARTS LIST

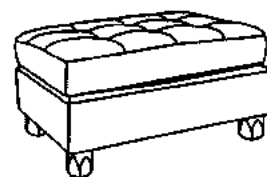
BOX-1



BOX-2



BOX-3



1  x12

2  x12

3  x12

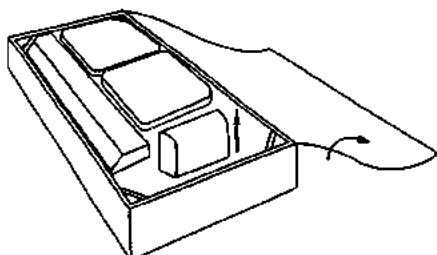
4  x2

5  x12

6  x1

7  x8

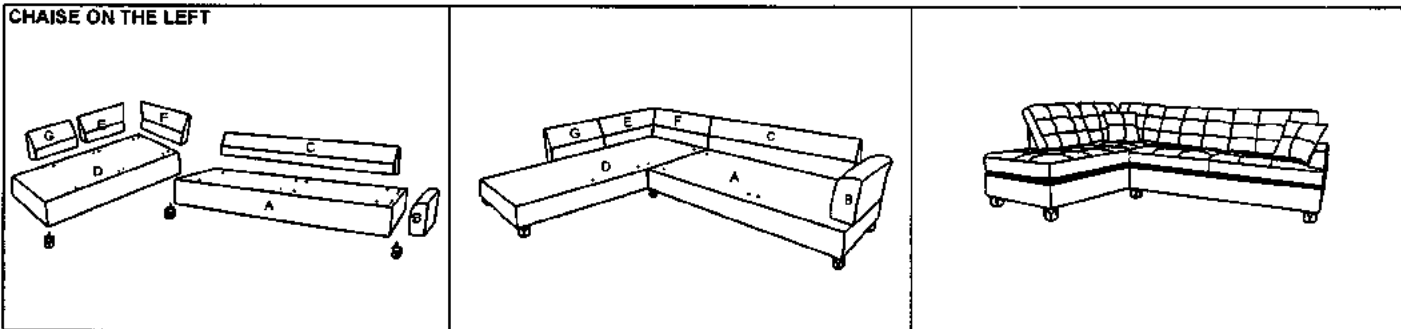
BEFORE ASSEMBLY



Open up the Velcro of Non-Woven Fabric cover on the bottom of the seat frame to remove seat cushions, back cushions and pillow.

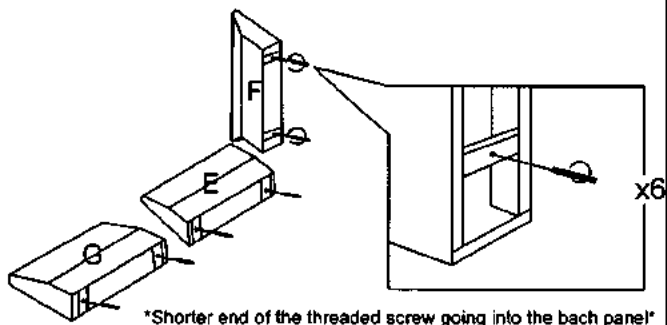
*****PLEASE REMOVE ALL PARTS FROM SEAT FRAMES AND BACKS BEFORE ASSEMBLY*****

CHAISE ON THE LEFT



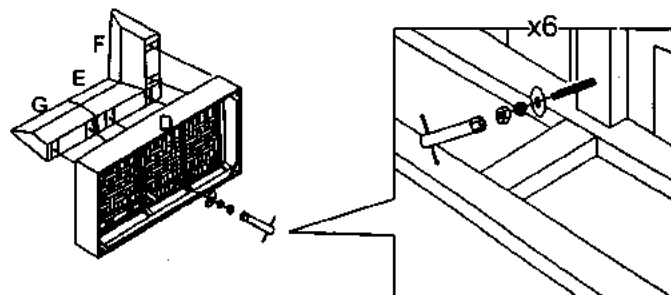
CHAISE ASSEMBLY INSTRUCTION-BOX 1

STEP 1- INSERT THREADED RODS INTO SEAT BACKS

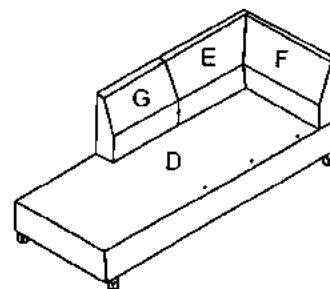
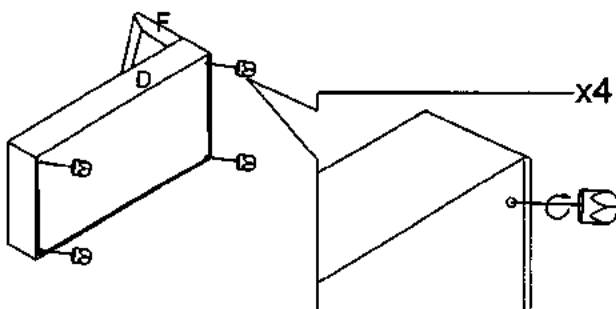


Shorter end of the threaded screw going into the back panel

STEP 2- MOUNTED SEAT BACKS INTO THE SEAT FRAME

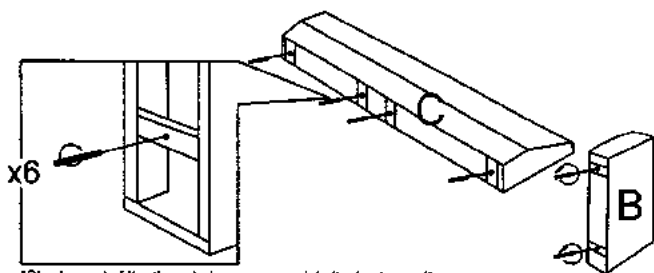


STEP 3- PUT BACK THE FABRIC COVER AND INSERT LEGS



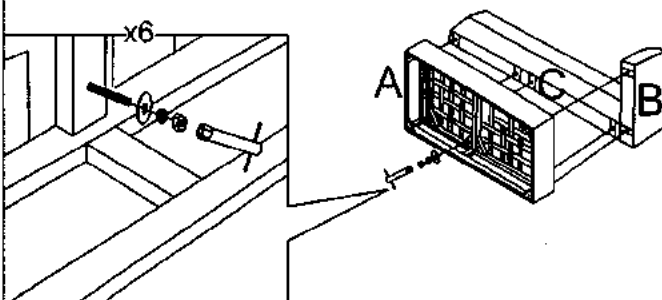
SOFA ASSEMBLY INSTRUCTION-BOX 2

STEP 1- INSERT THREADED RODS INTO SEAT BACKS

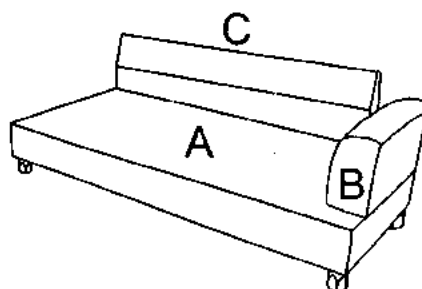
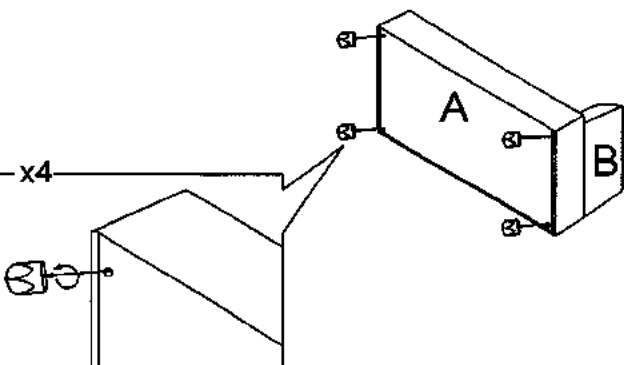


Shorter end of the threaded screw going into the back panel

STEP 2- MOUNTED SEAT BACKS INTO THE SEAT FRAME



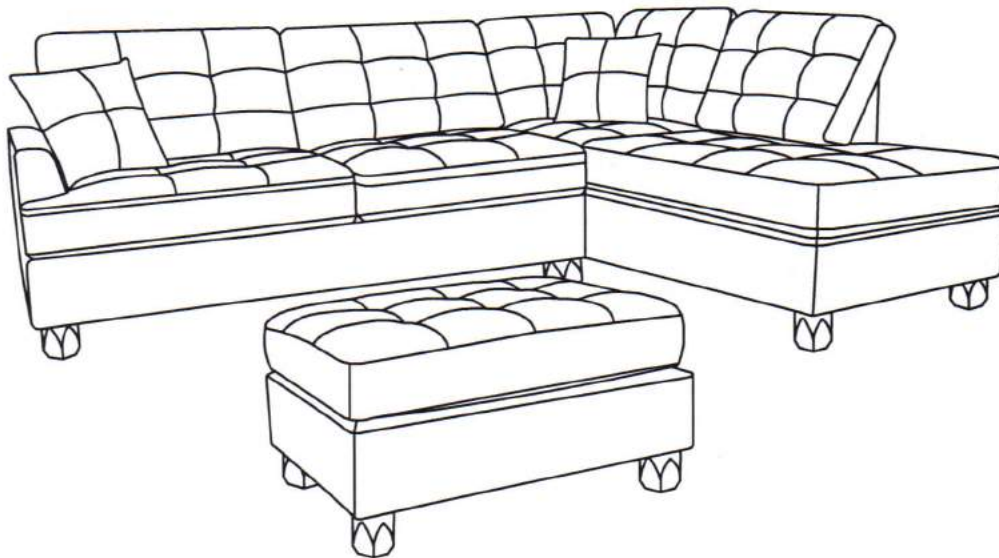
STEP 3- PUT BACK THE FABRIC COVER AND INSERT LEGS



***** NOTICE BEFORE ASSEMBLY *****

Please choose the **CHAISE** will be on
the **LEFT** or **RIGHT** hand side.

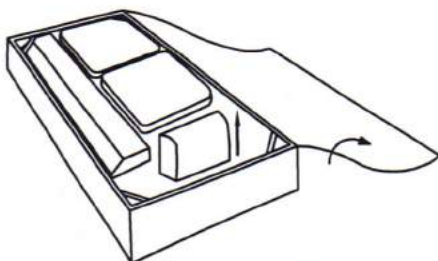
#Assembly Instruction I: CHAISE ON THE RIGHT



PARTS LIST

| BOX-1 | | BOX-2 | | BOX-3 | |
|-------|-----|-------|-----|-------|-----|
| | | | | | |
| 1 | x12 | 2 | x12 | 3 | x12 |
| 5 | x12 | 6 | x1 | 7 | x8 |
| | | | | 4 | |
| | | | | x2 | |

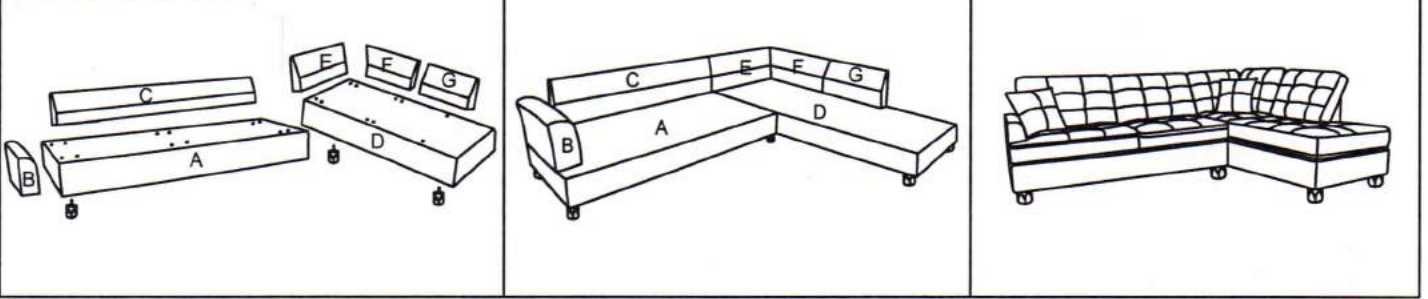
BEFORE ASSEMBLY



Open up the Velcro of Non-Woven Fabric cover on the bottom of the seat frame to remove seat cushions, back cushions and pillow.

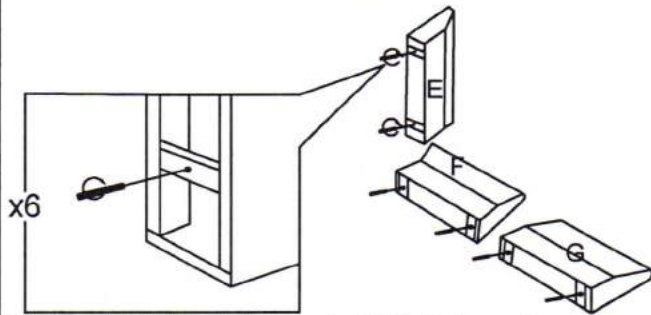
*****PLEASE REMOVE ALL PARTS FROM SEAT FRAMES AND BACKS BEFORE ASSEMBLY*****

CHAISE ON THE RIGHT



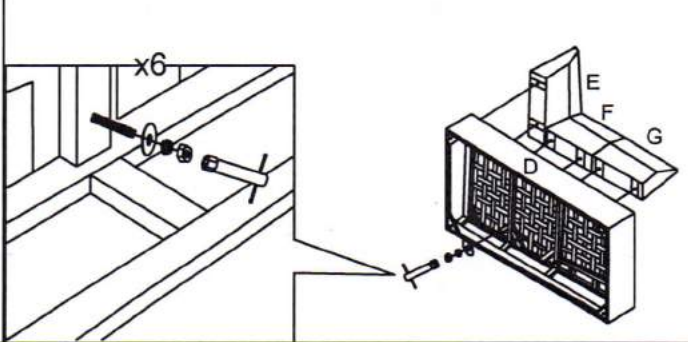
CHAISE ASSEMBLY INSTRUCTION-BOX 1

STEP 1- INSERT THREADED RODS INTO SEAT BACKS

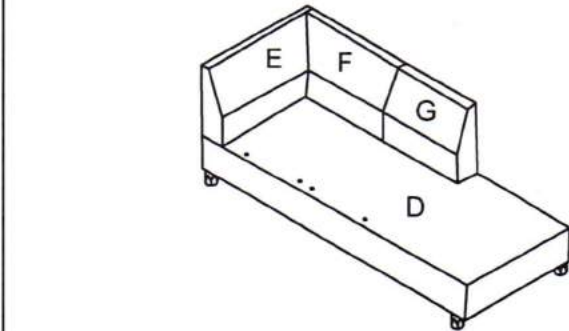
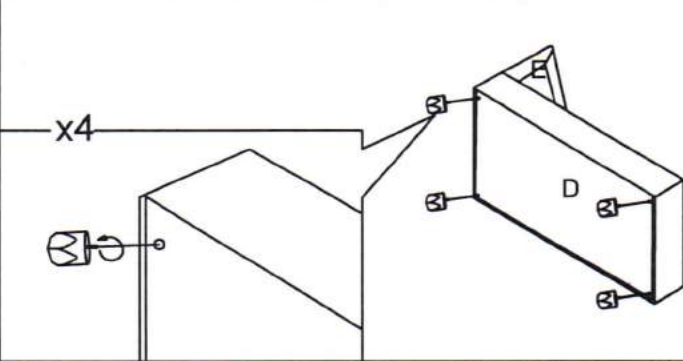


Shorter end of the threaded screw going into the bach panel

STEP 2- MOUNTED SEAT BACKS INTO THE SEAT FRAME

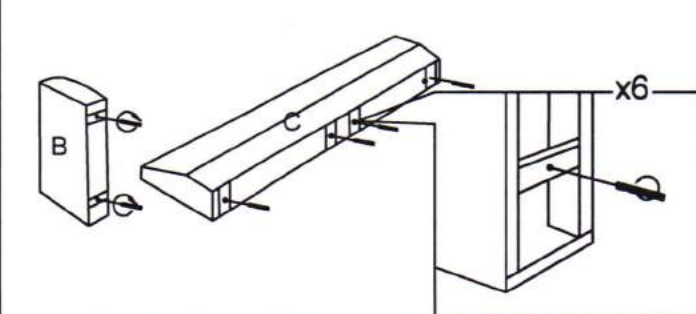


STEP 3- PUT BACK THE FABRIC COVER AND INSERT LEGS



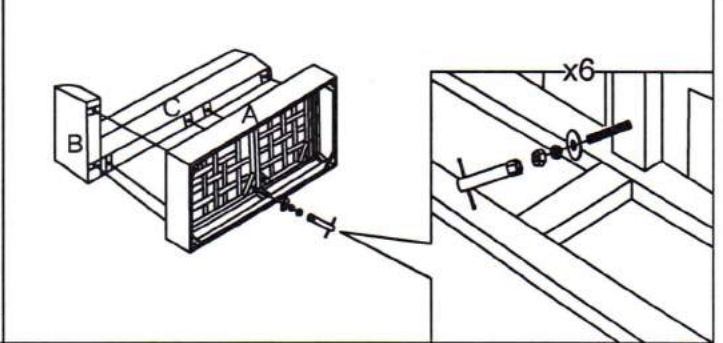
SOFA ASSEMBLY INSTRUCTION-BOX 2

STEP 1- INSERT THREADED RODS INTO SEAT BACKS

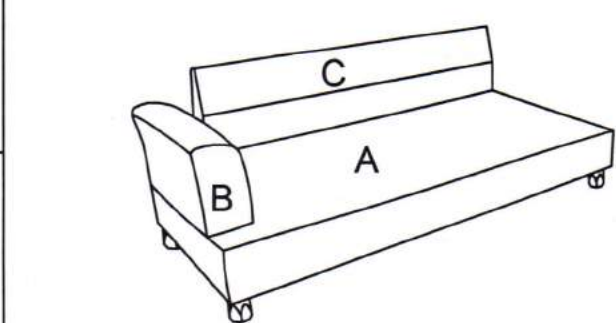
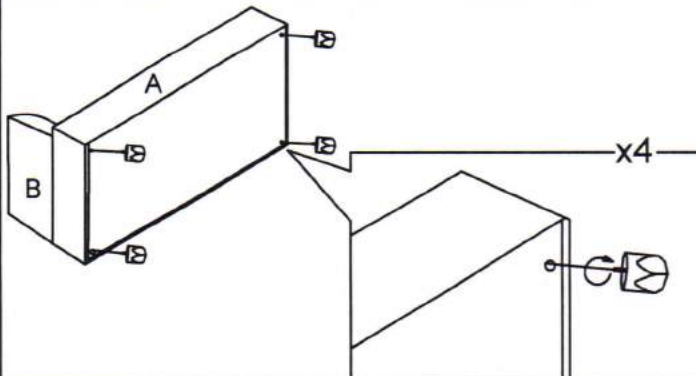


Shorter end of the threaded screw going into the bach panel

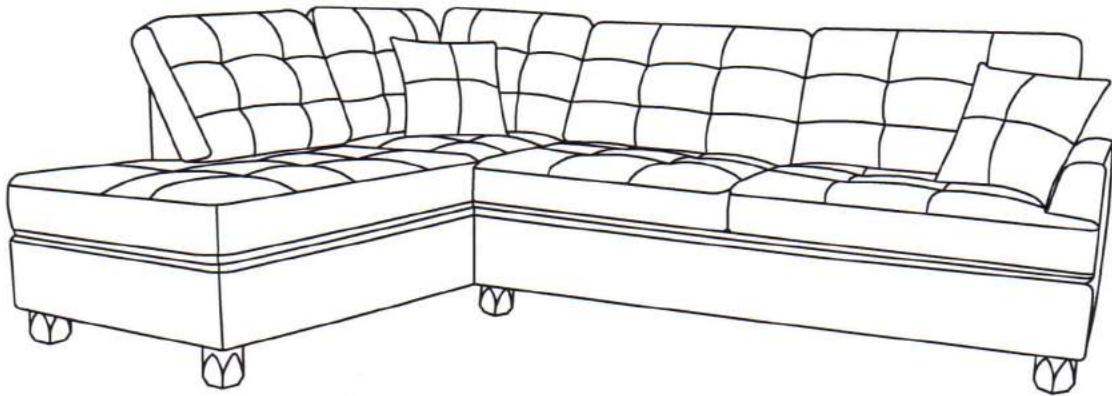
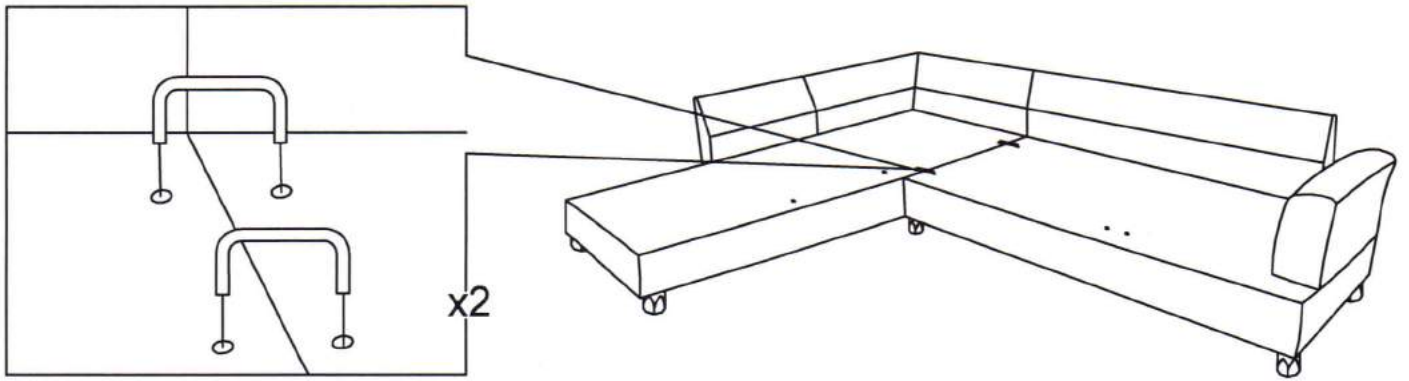
STEP 2- MOUNTED SEAT BACKS INTO THE SEAT FRAME



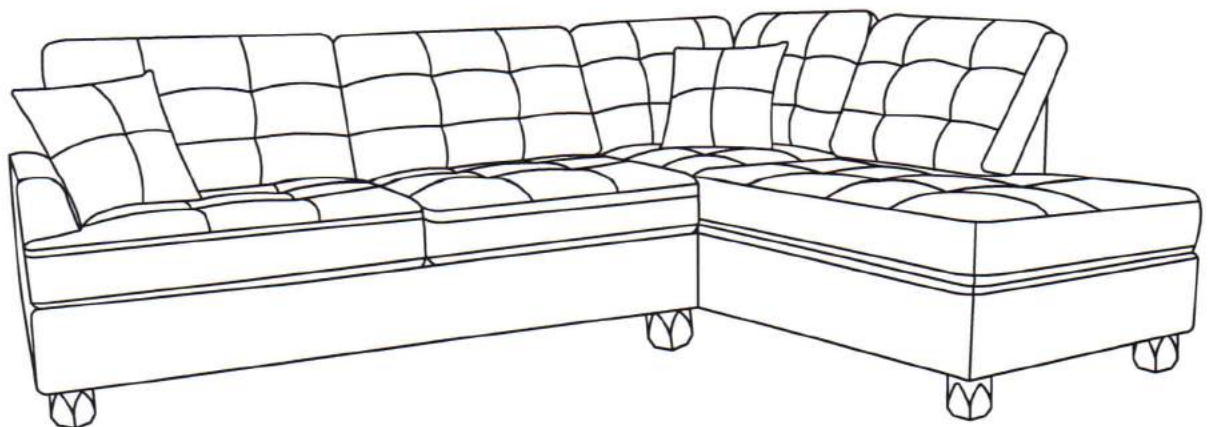
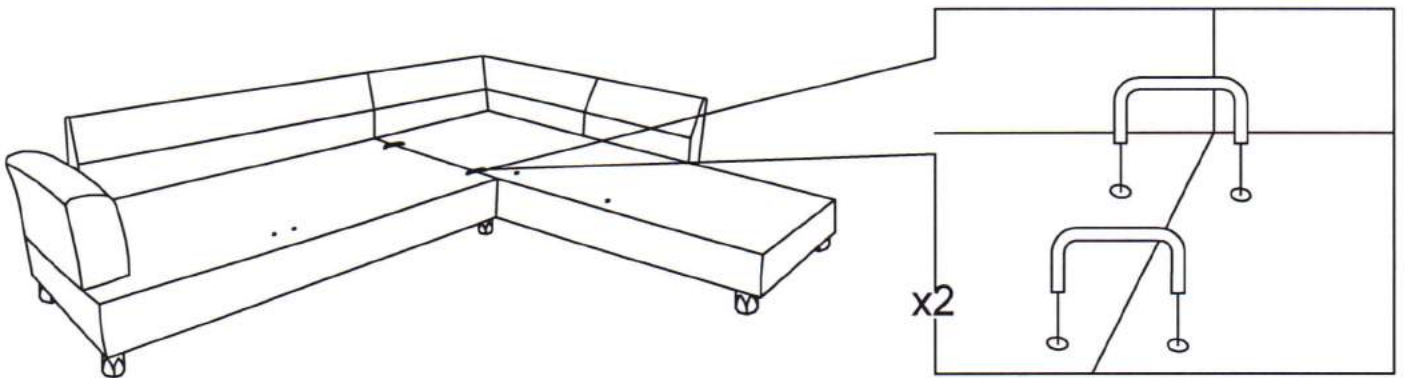
STEP 3- PUT BACK THE FABRIC COVER AND INSERT LEGS



CHAISE ON LEFT

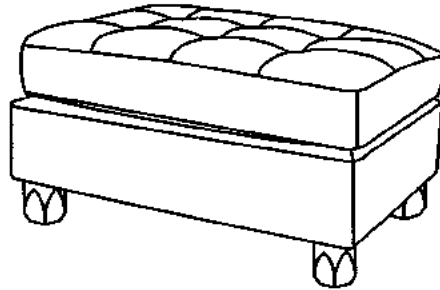


CHAISE ON RIGHT



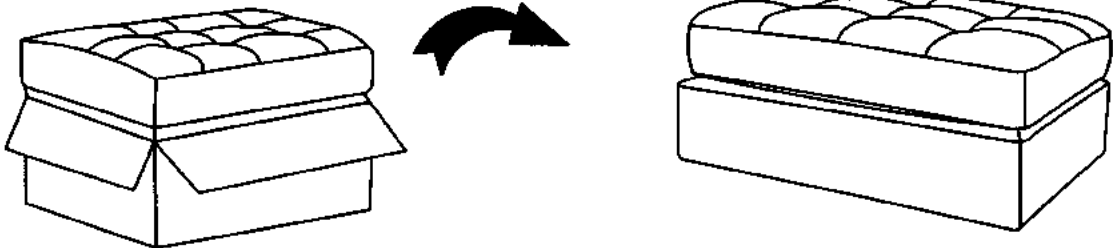
Assembly Instructions

Item No.:F6855-3,F6856-3

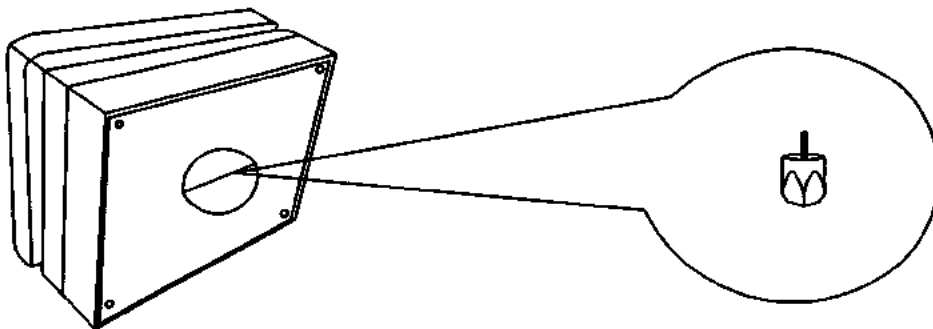


1

Step 1



Step 2



Step 3

