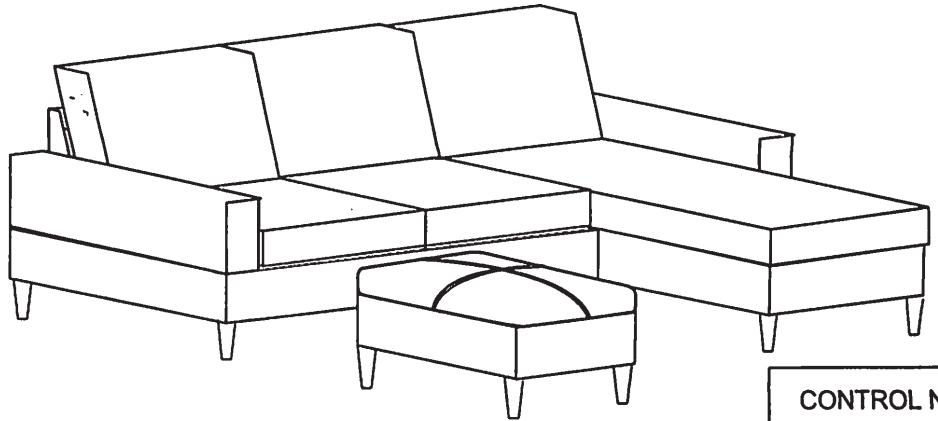


MODEL:

- F7281, F7282, F7283
- F7284, F7285, F7286
- F7287
- F7291, F7292, F7293
- F7294, F7295
- F7296, F7297, F7298



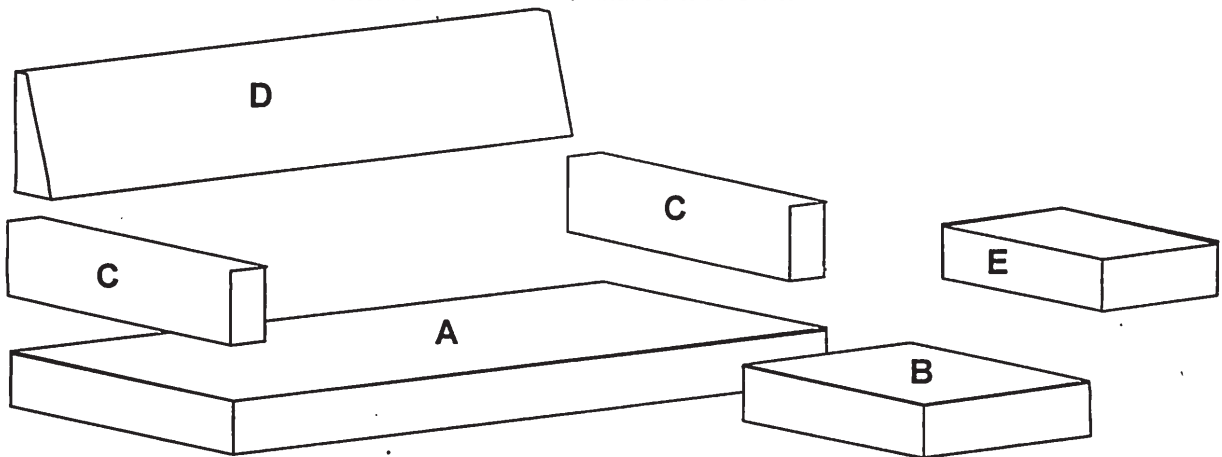
ALL-IN-ONE SECTIONAL W/ OTTOMAN

CONTROL NO.
VENDOR - 6

PARTS LIST

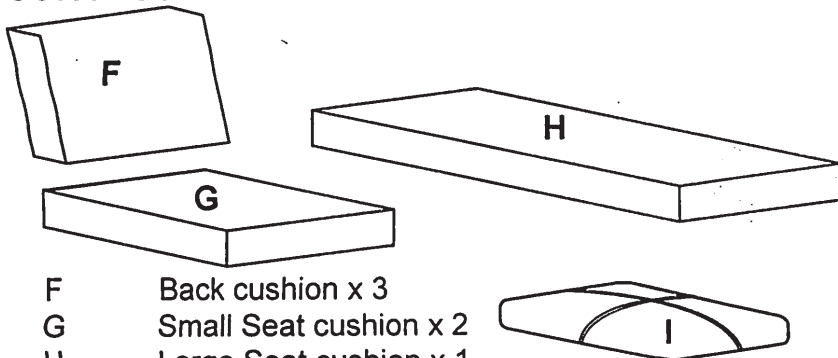
SOFA PANEL AND FRAME'S

ALL PARTS ARE IN ONE SINGLE PACKAGE.

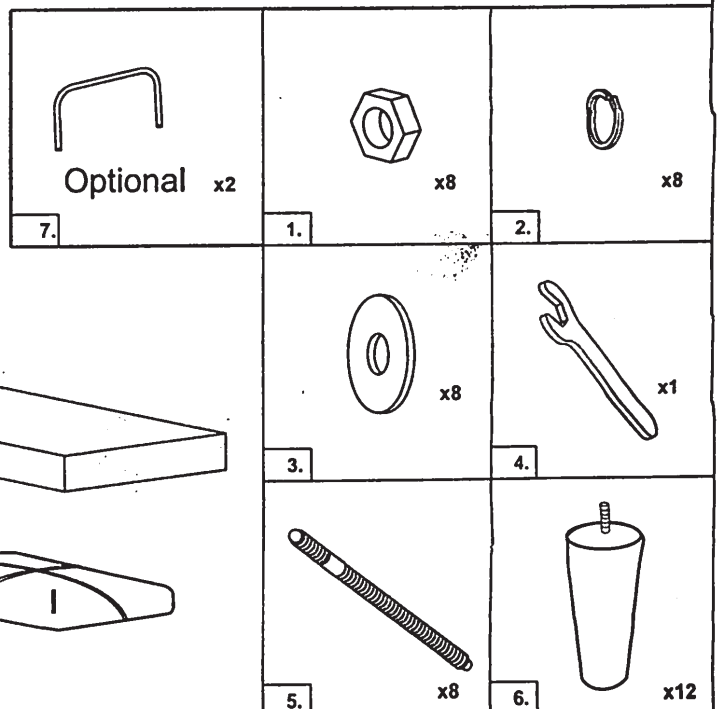


- A Sofa frame x 1
- B Extension frame x 1
- C Arm Panel x 2
- D Back Panel x 1
- E Ottoman frame x 1

SOFA CUSHIONS

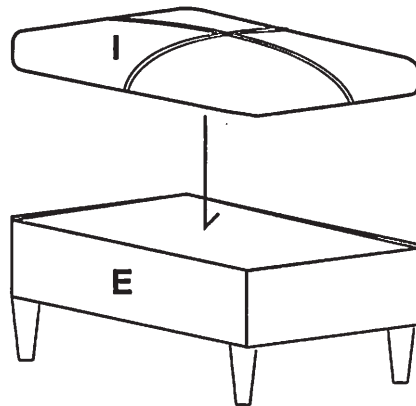


- F Back cushion x 3
- G Small Seat cushion x 2
- H Large Seat cushion x 1
- I Ottoman cushion x 1

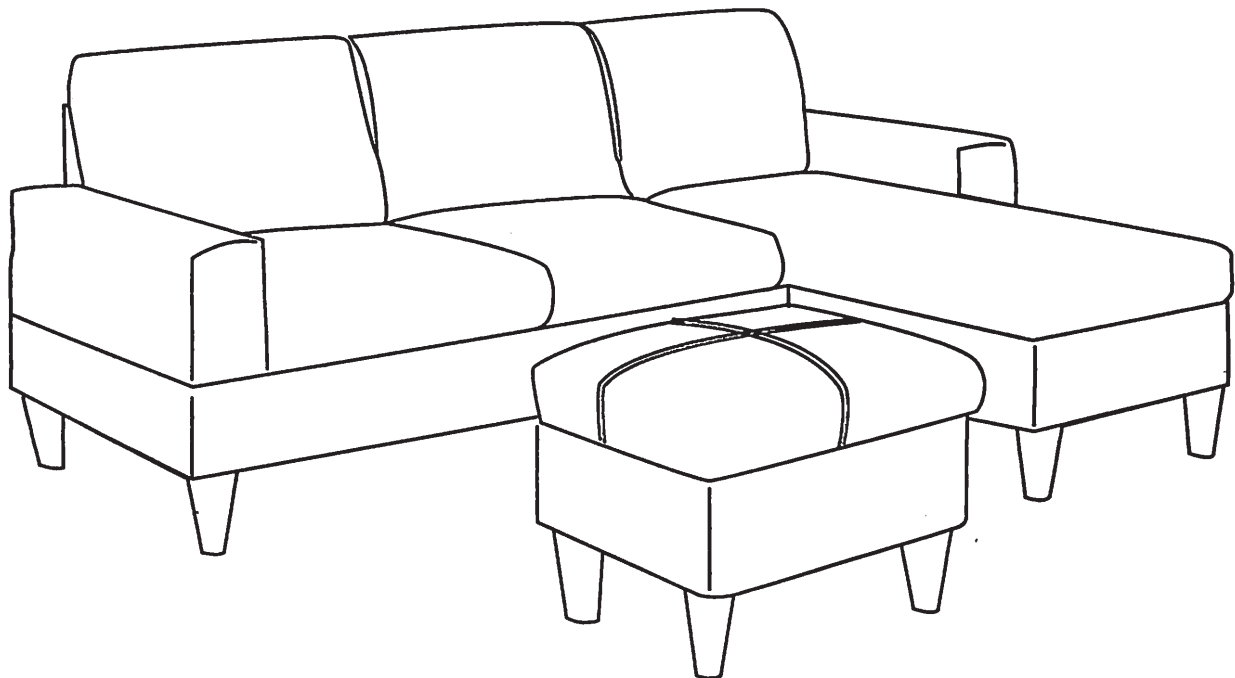


ASSEMBLY INSTRUCTION

STEP 6- PLACE CUSHION I ON TOP OF THE BASE FRAME E TO COMPLETE THE OTTOMAN.



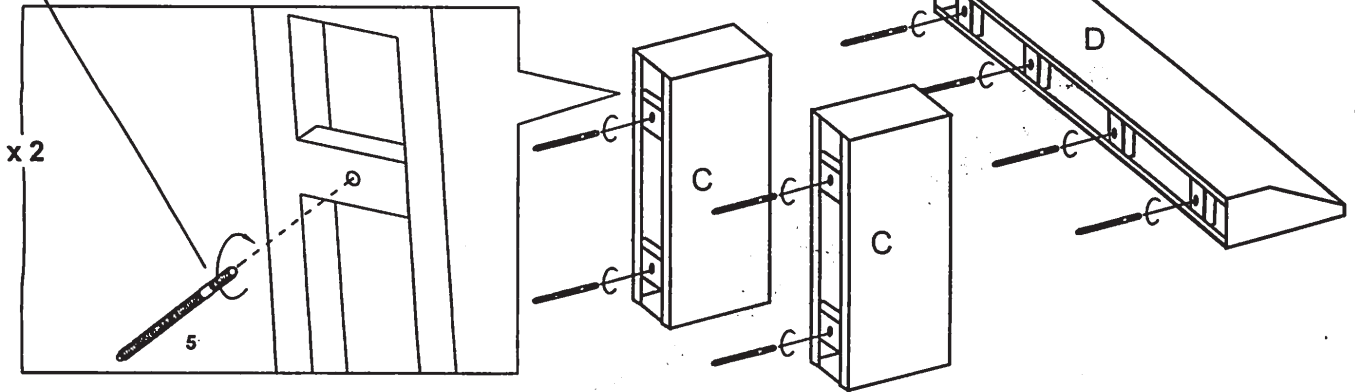
**ALL--IN-ONE SECTIONAL SOFA W/ OTTOMAN IS COMPLETE
PLEASE ENJOY YOUR NEW SOFA.**



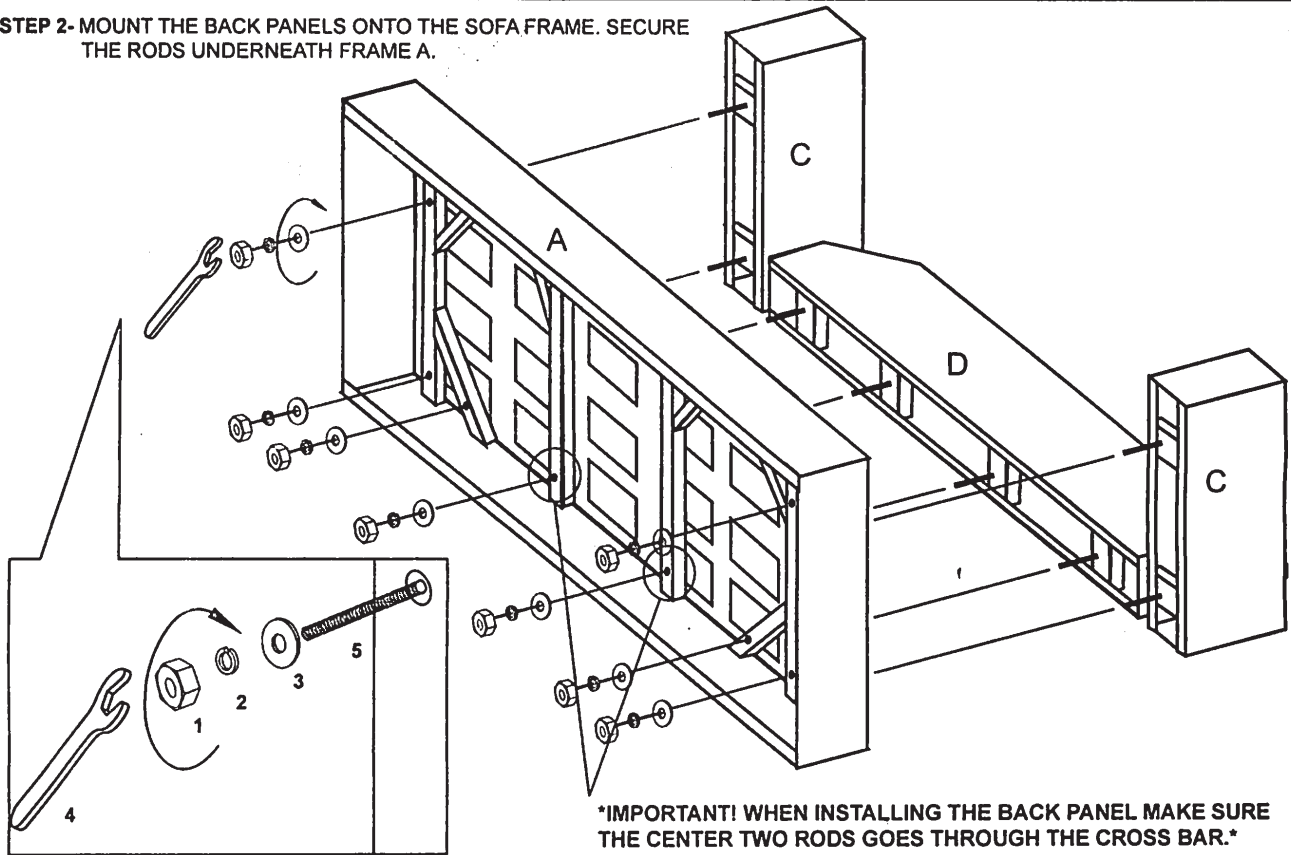
ASSEMBLY INSTRUCTION

STEP 1- INSERT THE THREADED RODS INTO THE ARM AND BACK PANELS.

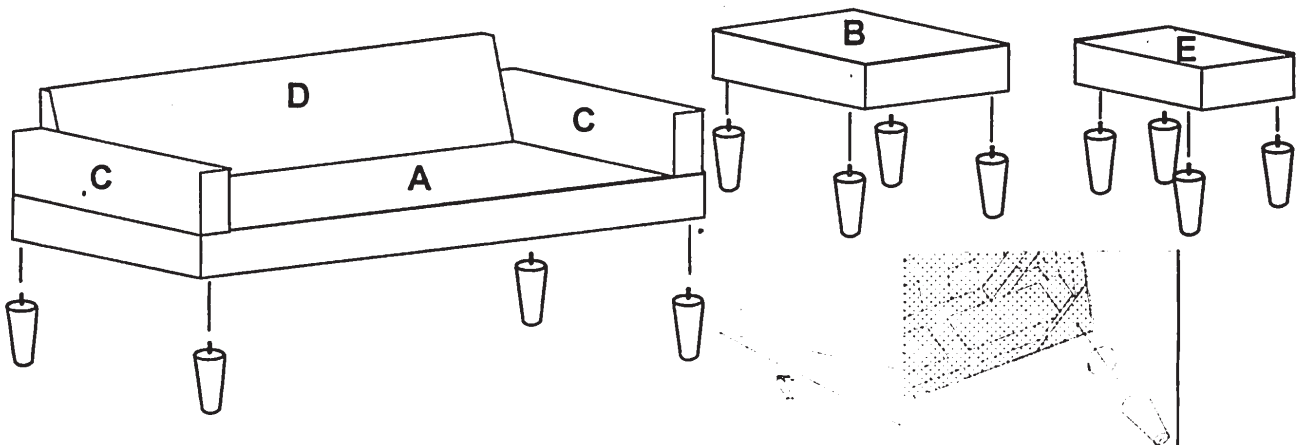
* Shorter end of the threaded screw going into the back panel.*



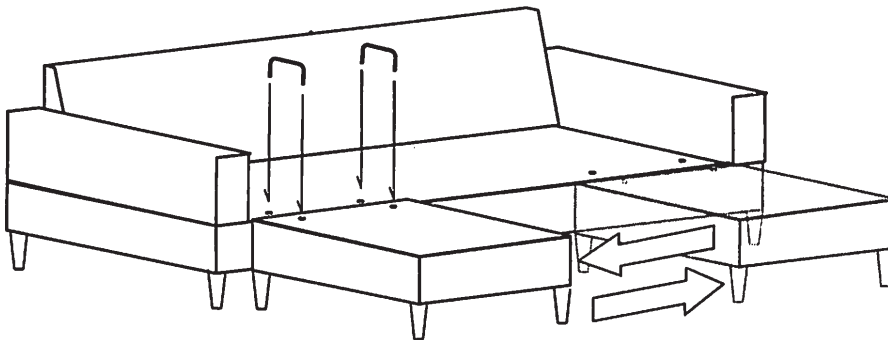
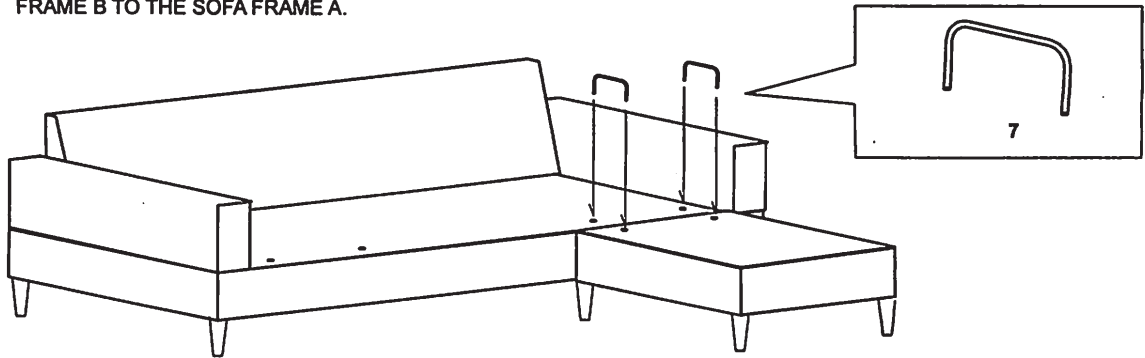
STEP 2- MOUNT THE BACK PANELS ONTO THE SOFA FRAME. SECURE THE RODS UNDERNEATH FRAME A.



STEP 3- INSERT ALL THE LEGS ONTO THE SOFA FRAME, EXTENSION FRAME, AND THE OTTOMAN FRAME.



STEP 4- ATTACH THE EXTENSION FRAME TO THE SOFA FRAME. USE THE TWO HOOK CONNECTOR TO SECURE THE EXTENSION FRAME B TO THE SOFA FRAME A.



THE EXTENSION FRAME CAN BE FITTED TO THE RIGHT OR THE LEFT OF THE SOFA FRAME. THIS IS COMPLETELY UP TO THE CUSTOMER WHICH SIDE THE EXTENSION IS ON.

STEP 5- PLACE ALL THE SEAT CUSHIONS AND BACK CUSHIONS ONTO THE SOFA.

