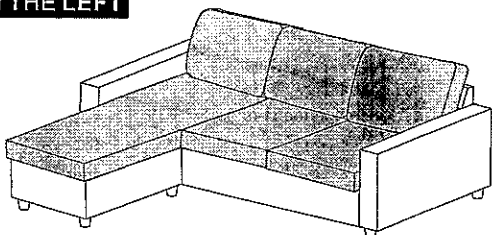


Assembly Instructions

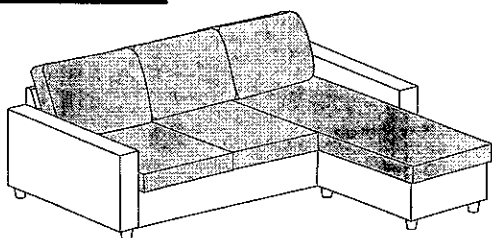
Model: **F7490, F7491, F7492**

OPTION 1 REVERSIBLE SECTIONAL

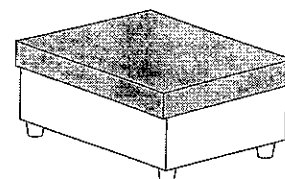
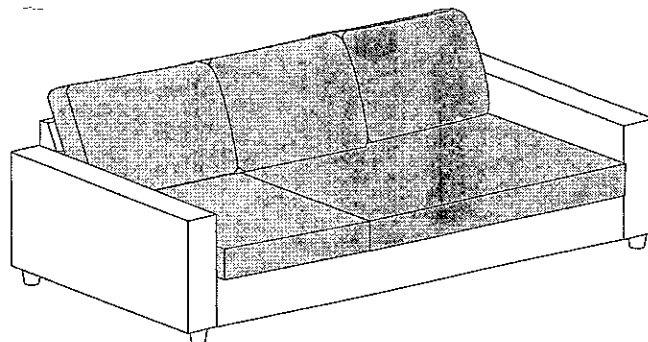
CHAISE ON THE LEFT



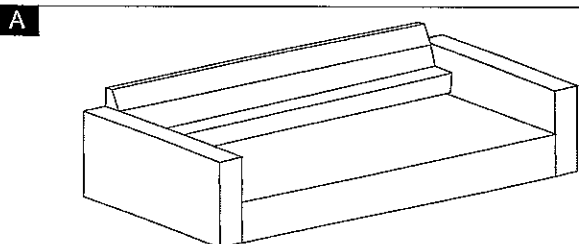
CHAISE ON THE RIGHT



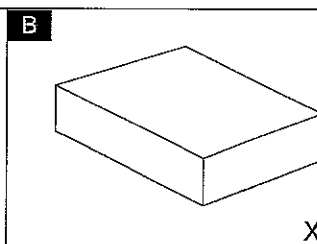
OPTION 2 SOFA + COCKTAIL OTTOMAN



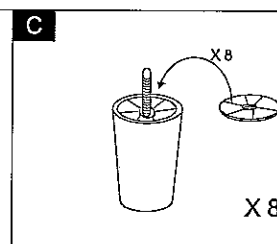
Parts List



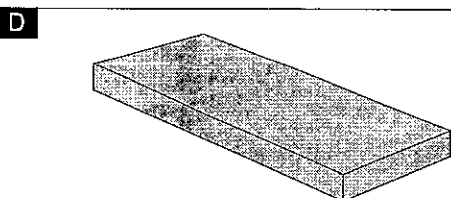
X1



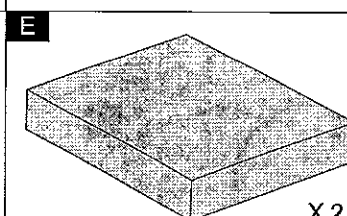
X1



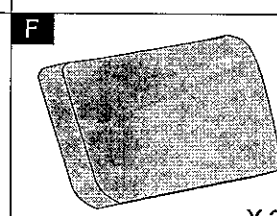
X8



X1

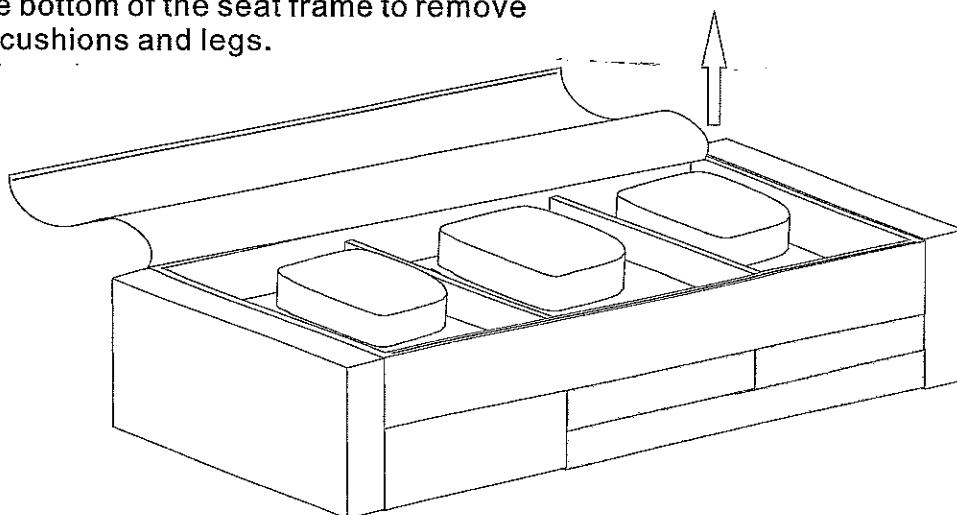


X2

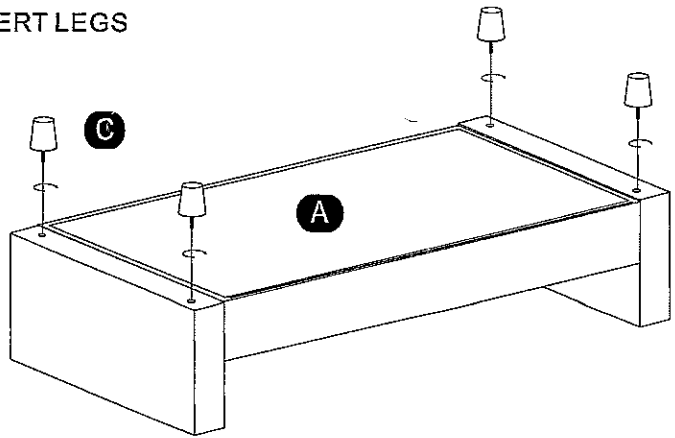
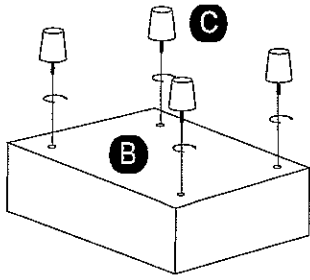


X3

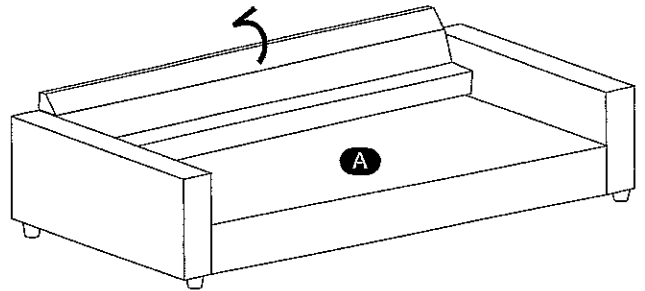
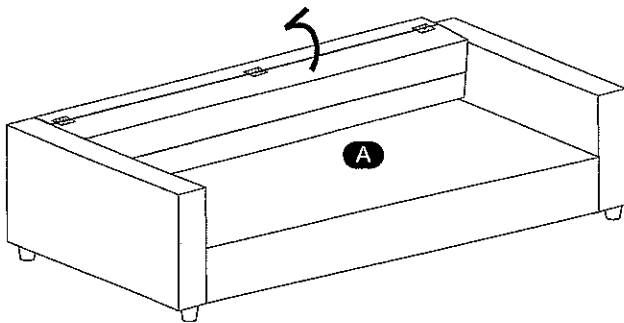
Open up the velcro of Non-Woven Fabric cover on the bottom of the seat frame to remove back cushions and legs.



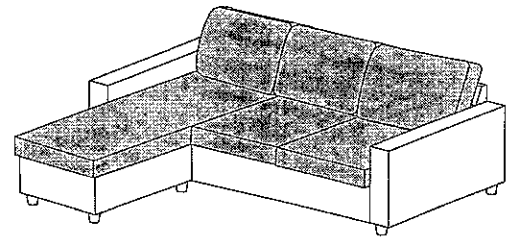
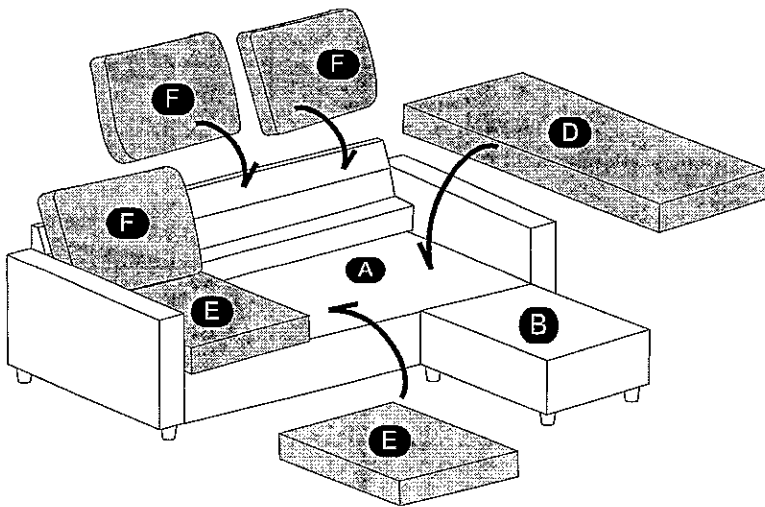
STEP 1 - PUT BACK THE FABRIC COVER AND INSERT LEGS ONTO SOFA FRAME / OTTOMAN FRAME



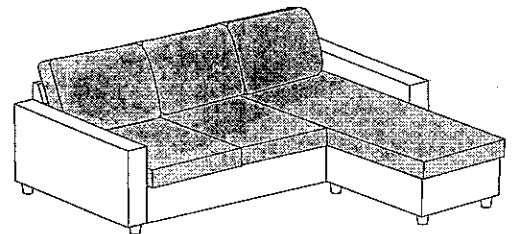
STEP 2 - ADJUST THE FOLDED SOFA BACK FRAME TO THE UP POSITION



REVERSIBLE SECTIONAL



CHAISE ON THE LEFT



CHAISE ON THE RIGHT

SOFA + COCKTAIL OTTOMAN

