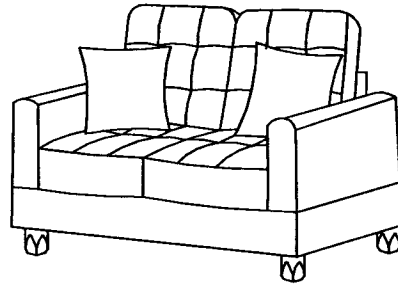
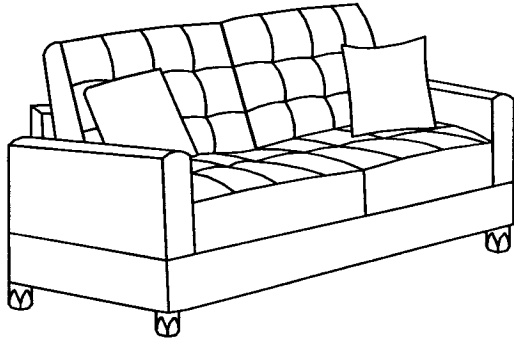


# TIMBERLAND

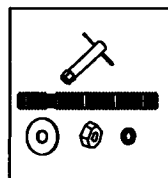
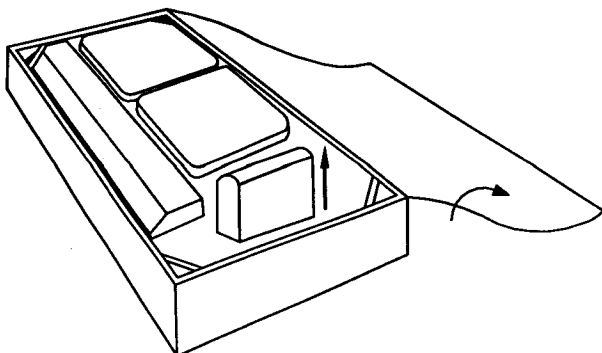
## ASSEMBLY INSTRUCTION MODEL NO.: F7855, F7856, F7857, F7858



### PARTS LIST

|  |     |   |  |   |     |
|--|-----|---|--|---|-----|
| <p>*Cushions, pillow and legs included</p> |     |   | <p>*Cushions, pillow and legs included</p> |   |     |
| 1  | x14 | 2 | x14  | 3 | x14 |
| 4  | x14 | 5 | x2   | 6 | x8  |

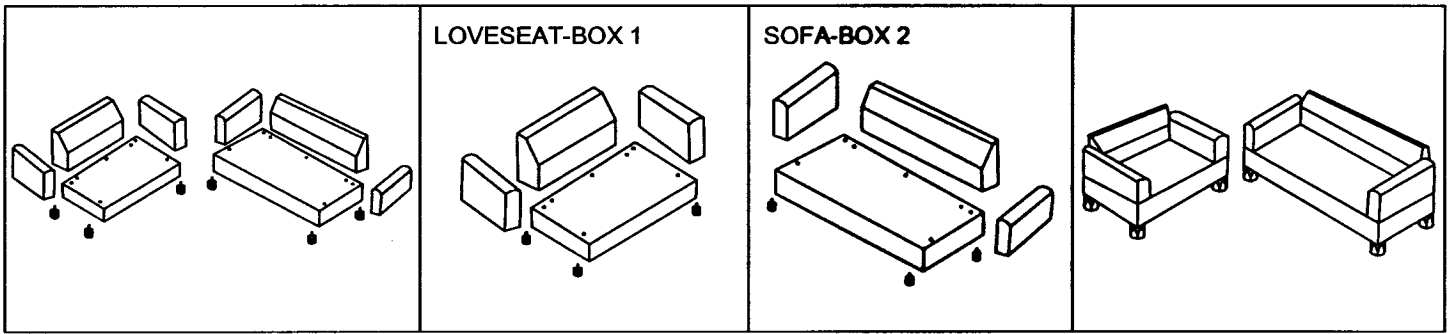
### BEFORE ASSEMBLY



Open up the Velcro of Non-Woven Fabric cover on the bottom of the seat frame to remove seat cushions, back cushions and pillow.



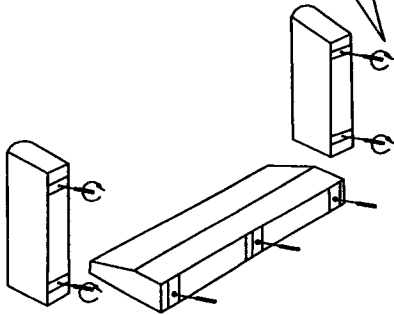
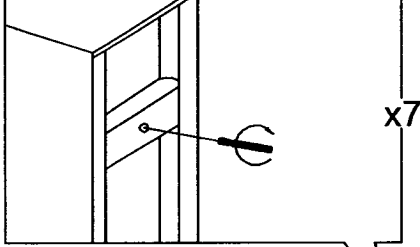
**\*\*\*PLEASE REMOVE ALL PARTS FROM SEAT FRAMES AND BACKS BEFORE ASSEMBLY\*\*\***



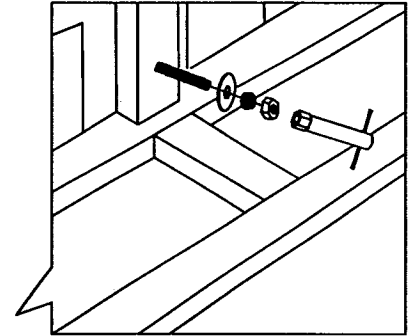
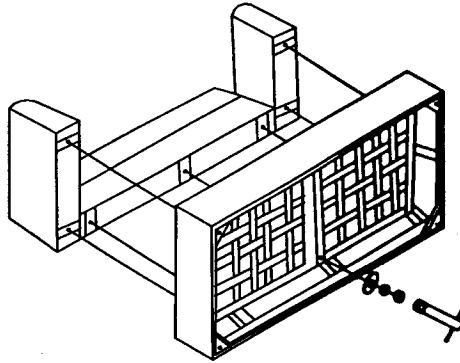
## LOVESEAT ASSEMBLY INSTRUCTION-BOX 1

### STEP 1 - INSERT THREADED RODS INTO SEAT BACKS & ARM

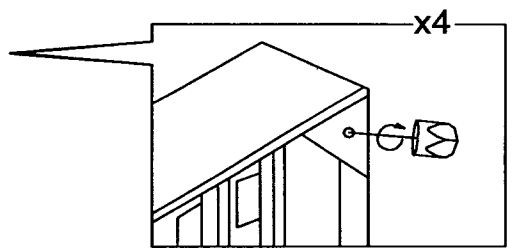
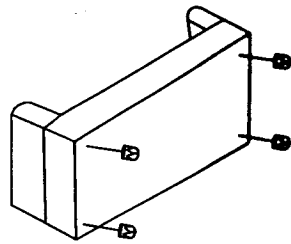
\*Shorter end of the threaded screw going into the bach panel\*



### STEP 2 - MOUNT SEAT BACKS & ARM INTO THE SEAT FRAME

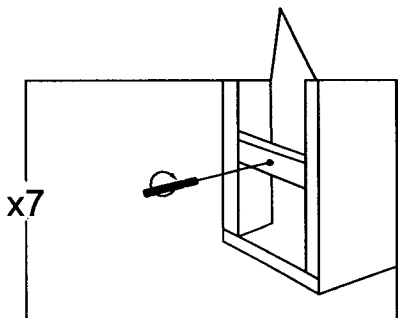
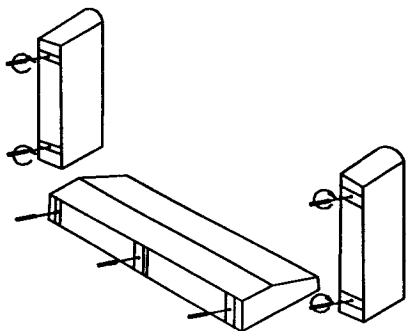


### STEP 3 - PUT BACK THE FABRIC COVER AND INSERT LEG



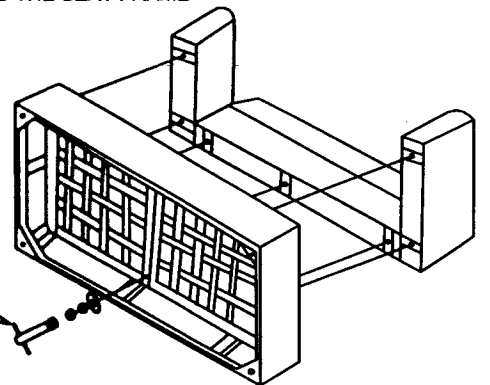
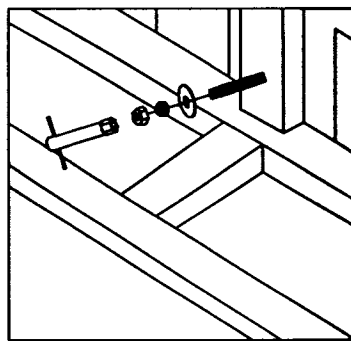
## SOFA ASSEMBLY INSTRUCTION-BOX 2

### STEP 1 - INSERT THREADED RODS INTO SEAT BACKS & ARM



\*Shorter end of the threaded screw going into the bach panel\*

### STEP 2 - MOUNT SEAT BACKS & ARM INTO THE SEAT FRAME



### STEP 3 - PUT BACK THE FABRIC COVER AND INSERT LEG

