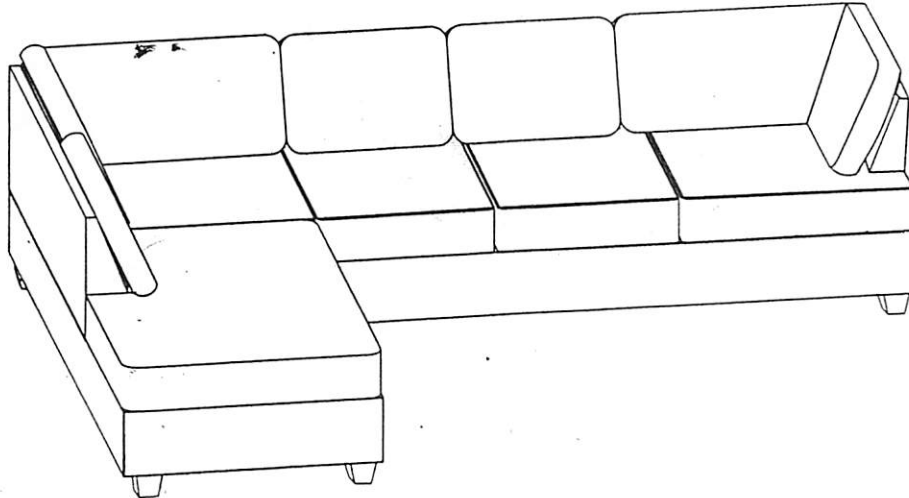


*****NOTICE BEFORE ASSEMBLY*****

Please choose the **CHAISE** will be on the **LEFT** or **RIGHT** hand side

ASSEMBLY INSTRUCTION FOR MODEL NO. : F7139, F7140

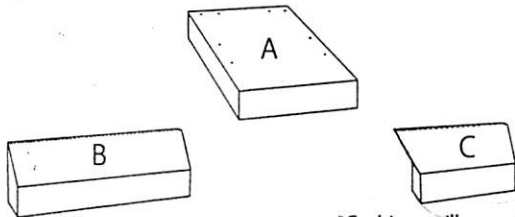
[CHAISE ON THE LEFT]



Control No.
V-6

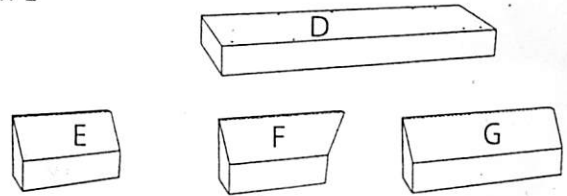
PARTS LIST

BOX-1



*Cushions, pillow and legs included

BOX-2



*Cushions, pillow and legs included

1. x12

2. x12

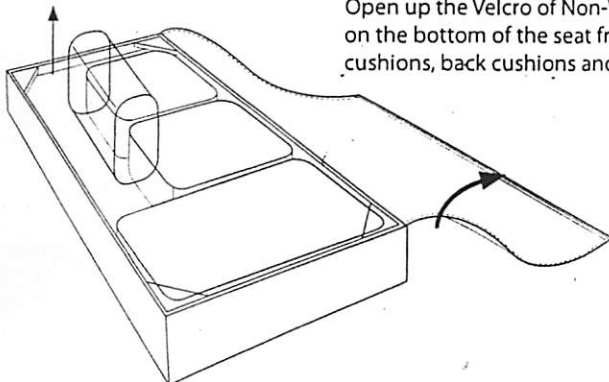
3. x12

4. x12

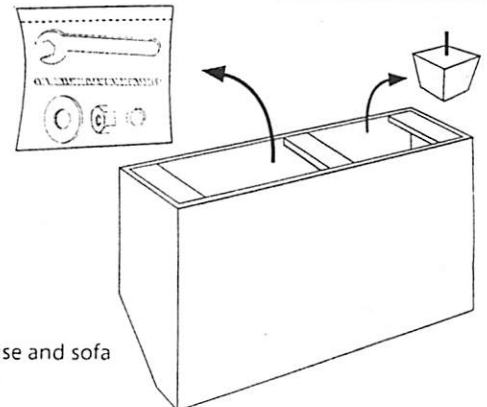
5. x1

6. x8

BEFORE ASSEMBLY



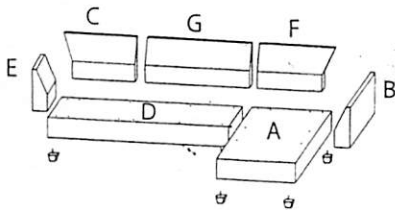
Open up the Velcro of Non-Woven Fabric cover on the bottom of the seat frame to remove seat cushions, back cushions and pillow



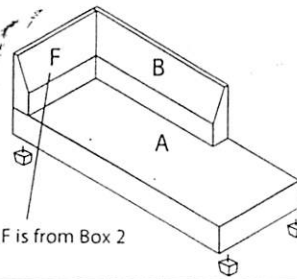
Remove hardware for chaise and sofa from inside the seat backs.

*****PLEASE REMOVE ALL PARTS FROM SEAT FRAMES AND SEAT BACKS BEFORE ASSEMBLY*****

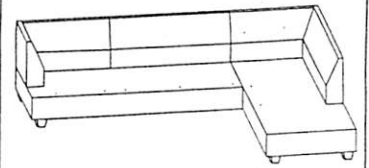
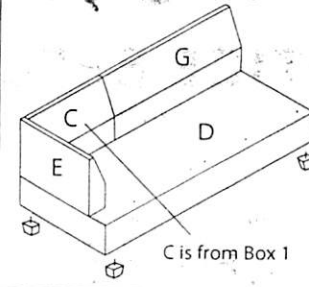
CHAISE ON THE RIGHT



CHAISE - BOX 1



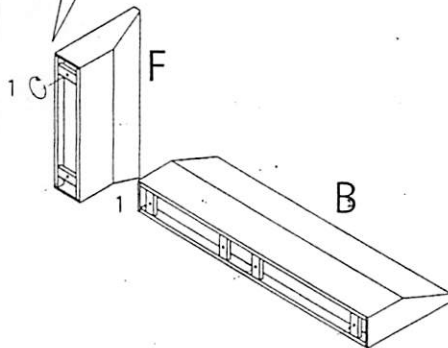
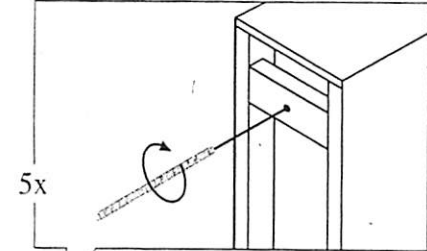
SOFA - BOX 2



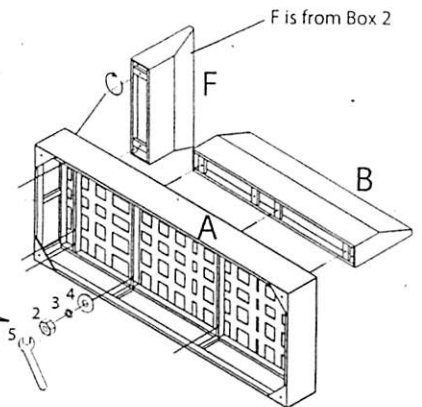
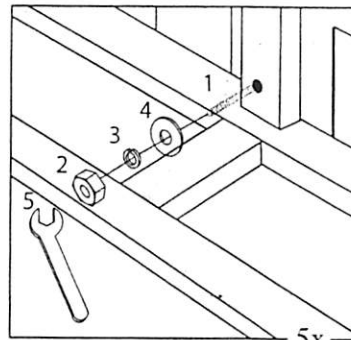
CHAISE ASSEMBLY INSTRUCTION-BOX 1

STEP 1- INSERT THREADED ROD INTO SEAT BACKS

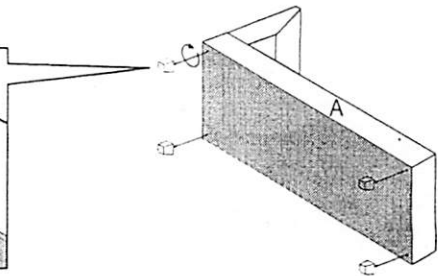
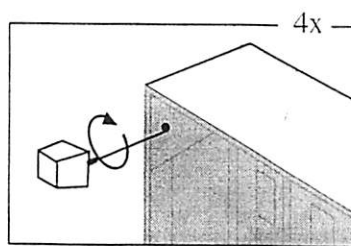
*Stop when the rod starts coming out on the other end



STEP 2- MOUNT SEAT BACKS INTO THE SEAT FRAME

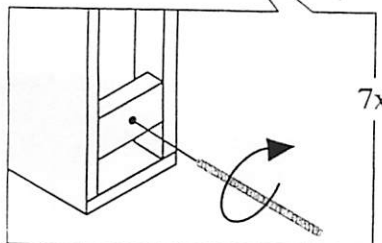
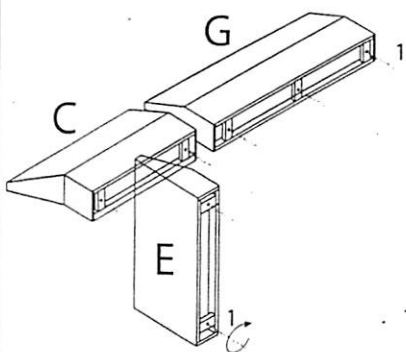


STEP 3- PUT BACK THE FABRIC COVER AND INSERT LEGS



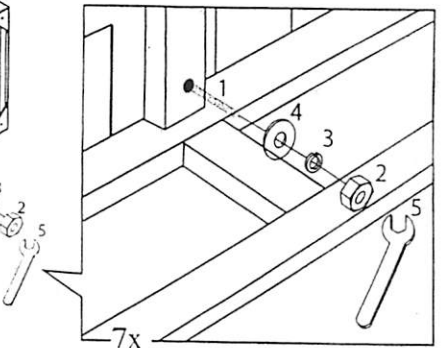
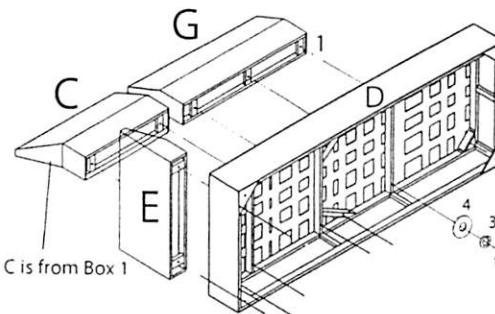
SOFA ASSEMBLY INSTRUCTION-BOX 2

STEP 1- INSERT THREADED ROD INTO SEAT BACKS

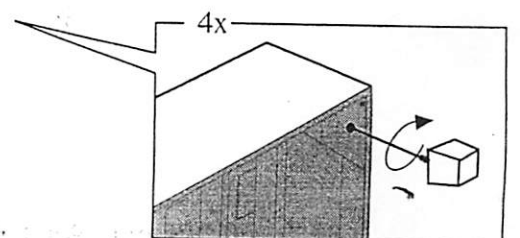
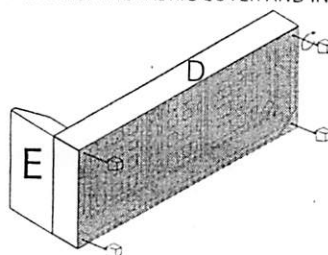


*Stop when the rod starts coming out on the other end

STEP 2- MOUNTED SEAT BACKS INTO THE SEAT FRAME



STEP 3- PUT BACK THE FABRIC COVER AND INSERT LEGS

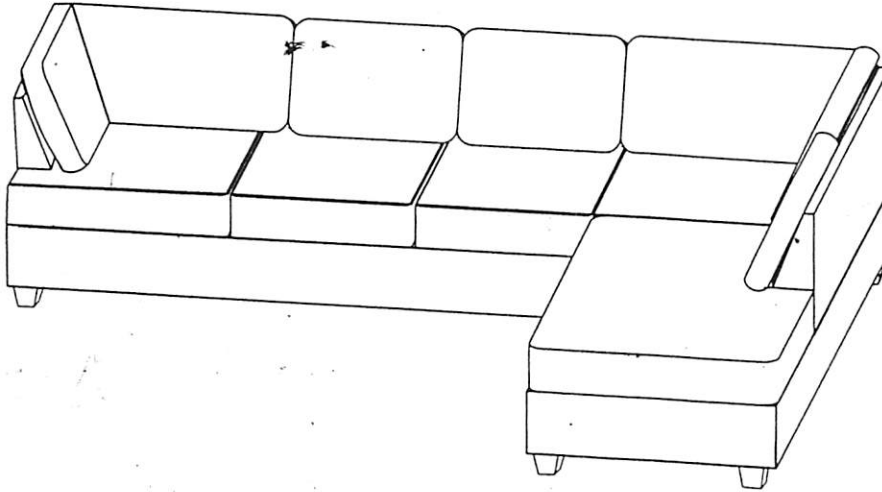


NOTICE BEFORE ASSEMBLY

Please choose the CHAISE will be on the LEFT or RIGHT hand side

ASSEMBLY INSTRUCTION FOR MODEL NO. : F7139, F7140

[CHAISE ON THE RIGHT]

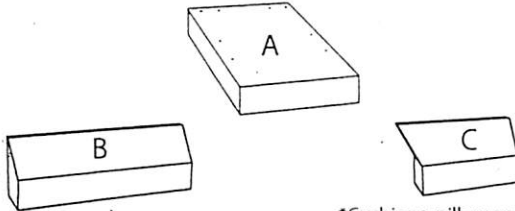


Before assembly, open both Box 1 and Box 2 to switch between Part C and Part F. And you will get the direction of right chaise.

Control No.
V-6

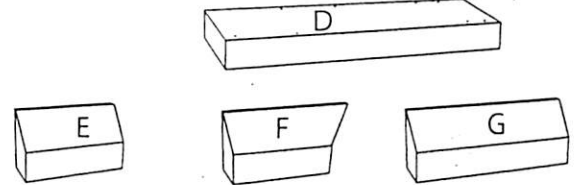
PARTS LIST

BOX-1



*Cushions, pillow and legs included

BOX-2



*Cushions, pillow and legs included

1.  x12

2.  x12

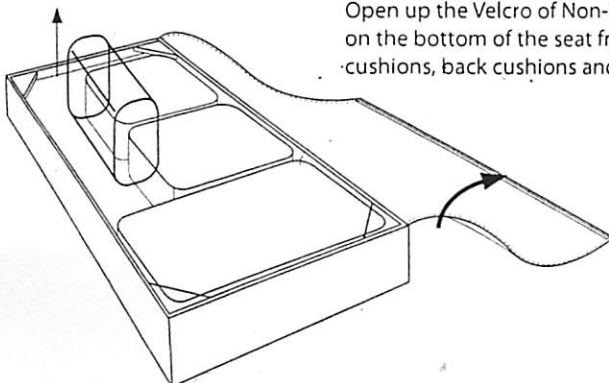
3.  x12

4.  x12

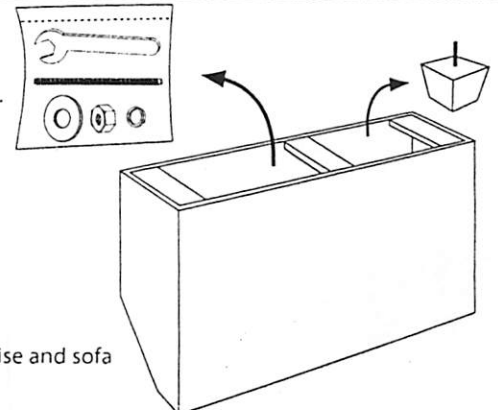
5.  x1

6.  x8

BEFORE ASSEMBLY



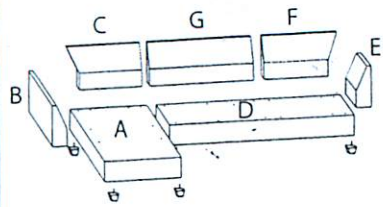
Open up the Velcro of Non-Woven Fabric cover on the bottom of the seat frame to remove seat cushions, back cushions and pillow



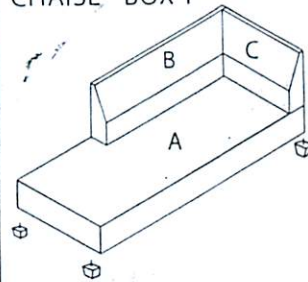
Remove hardware for chaise and sofa from inside the seat backs.

PLEASE REMOVE ALL PARTS FROM SEAT FRAMES AND SEAT BACKS BEFORE ASSEMBLY

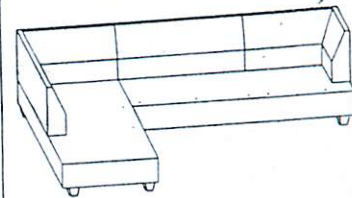
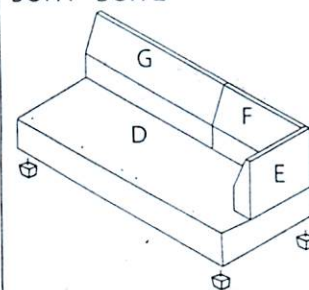
CHAISE ON THE LEFT



CHAISE - BOX 1



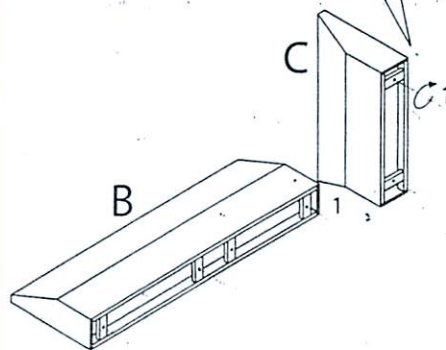
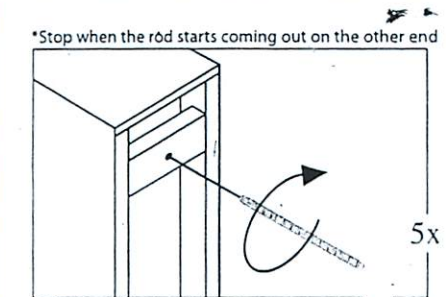
SOFA - BOX 2



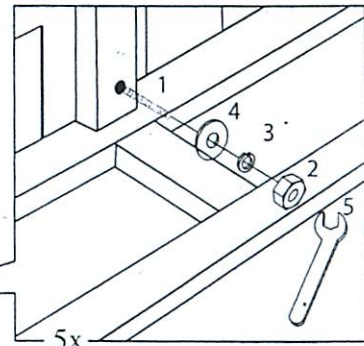
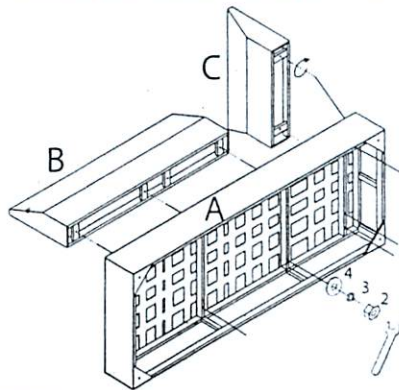
CHAISE ASSEMBLY INSTRUCTION-BOX 1

STEP 1- INSERT THREADED ROD INTO SEAT BACKS

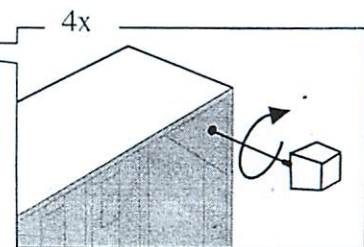
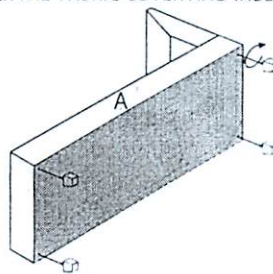
*Stop when the rod starts coming out on the other end



STEP 2- MOUNTED SEAT BACKS INTO THE SEAT FRAME

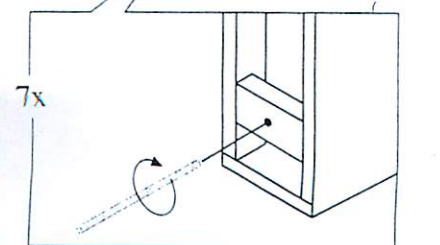
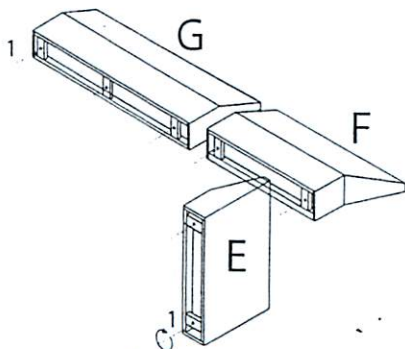


STEP 3- PUT BACK THE FABRIC COVER AND INSERT LEGS



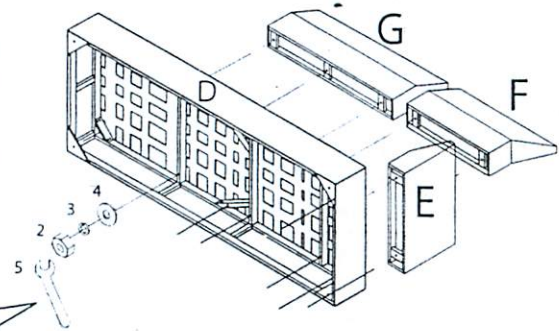
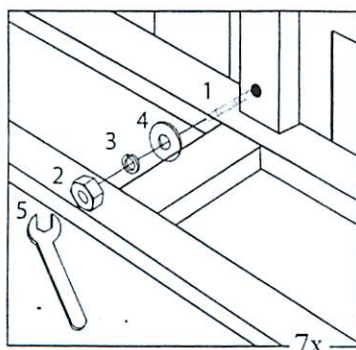
SOFA ASSEMBLY INSTRUCTION-BOX 2

STEP 1- INSERT THREADED ROD INTO SEAT BACKS



*Stop when the rod starts coming out on the other end

STEP 2- MOUNT SEAT BACKS INTO THE SEAT FRAME



STEP 3- PUT BACK THE FABRIC COVER AND INSERT LEGS

