

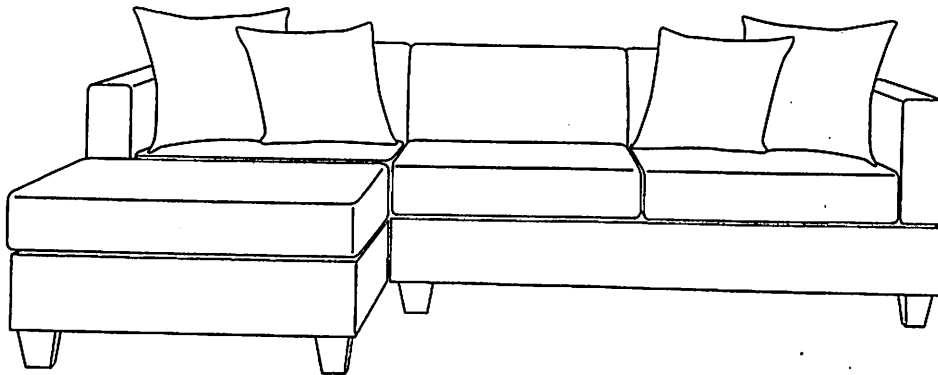
## \*\*\*NOTICE BEFORE ASSEMBLY\*\*\*

Please choose the Chaise will be on the LEFT or RIGHT hand side

### ASSEMBLY INSTRUCTION

FOR MODEL NO. : F7182, F7183, F7184

CHAISE ON THE LEFT

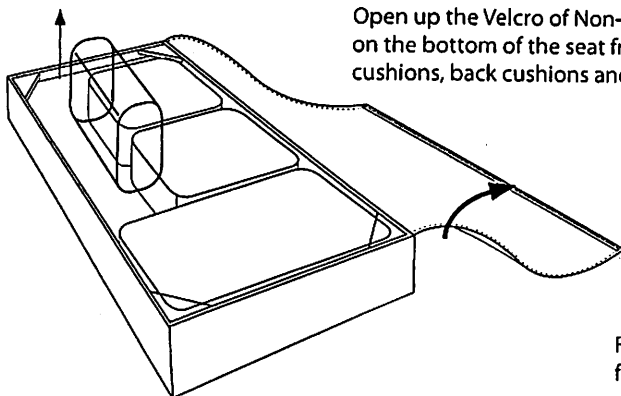


Control No.  
VENDOR 6

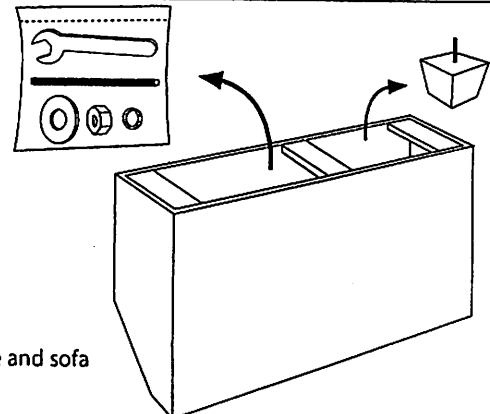
### PARTS LIST

BOX-1		BOX-2	
*Cushions, pillow and legs included*		*Cushions, pillow and legs included*	
1.  x10	2.  x10	3.  x10	
4.  x10	5.  x1	6.  x8	

### BEFORE ASSEMBLY



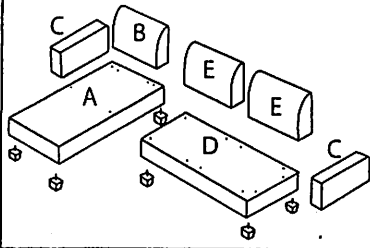
Open up the Velcro of Non-Woven Fabric cover on the bottom of the seat frame to remove seat cushions, back cushions and pillow



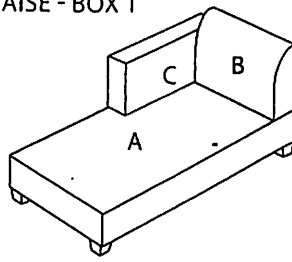
Remove hardware for chaise and sofa from inside the seat backs.

\*\*\*PLEASE REMOVE ALL PARTS FROM SEAT FRAMES AND SEAT BACKS BEFORE ASSFMRI V\*\*\*

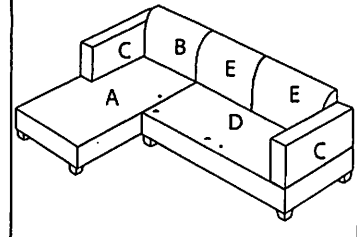
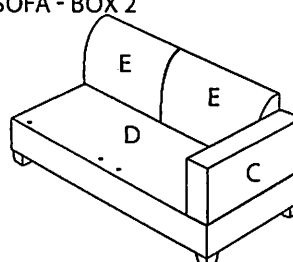
CHAISE ON THE LEFT



CHAISE - BOX 1



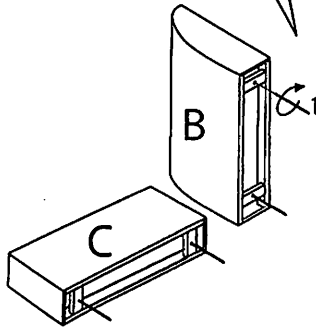
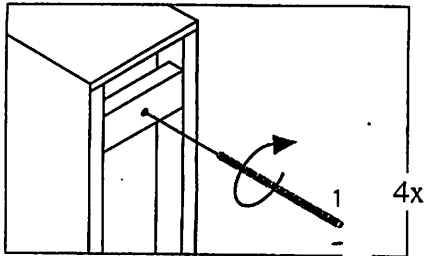
SOFA - BOX 2



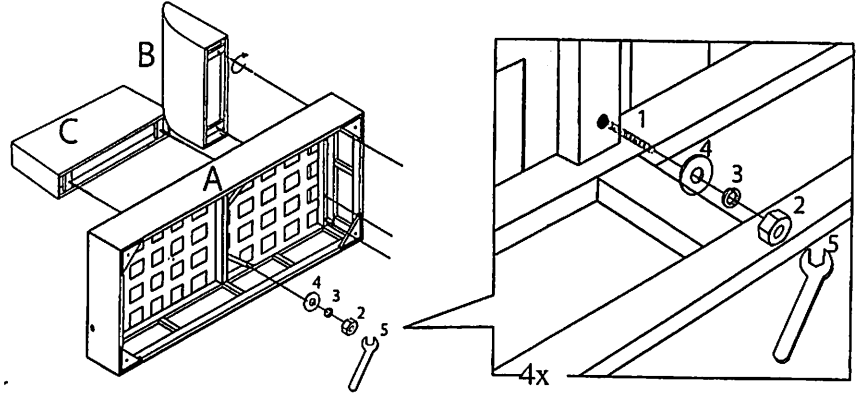
### CHAISE ASSEMBLY INSTRUCTION-BOX 1

#### STEP 1- INSERT THREADED ROD INTO SEAT BACKS

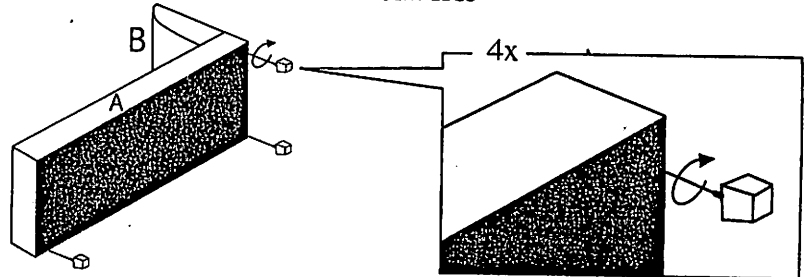
\*Stop when the rod starts coming out on the other end



#### STEP 2- MOUNT SEAT BACKS INTO THE SEAT FRAME



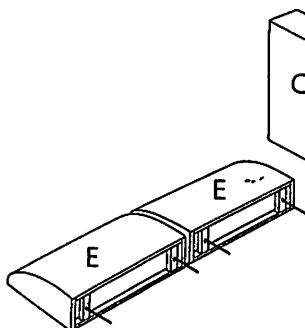
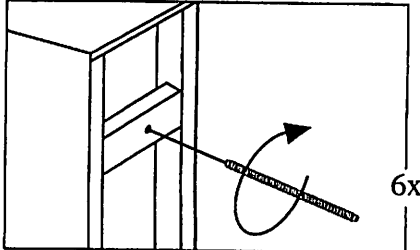
#### STEP 3- PUT BACK THE FABRIC COVER AND INSERT LEGS



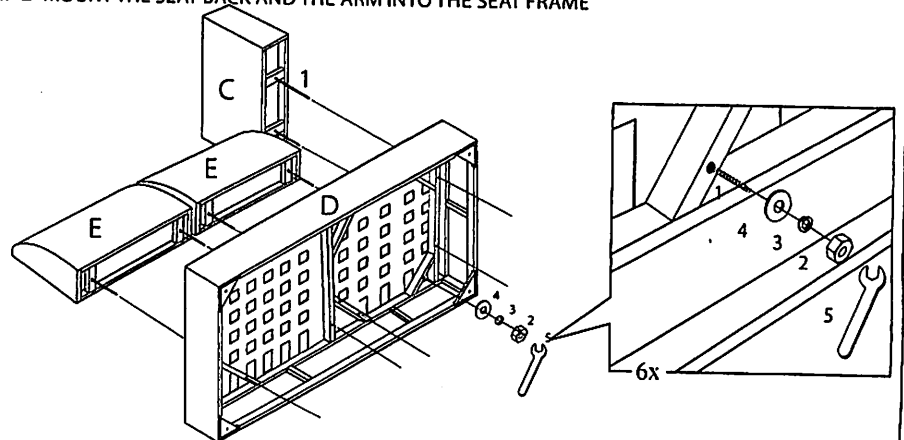
### SOFA ASSEMBLY INSTRUCTION - BOX 2

#### STEP 1- INSERT THREADED RODS INTO THE SEAT BACK AND THE ARM

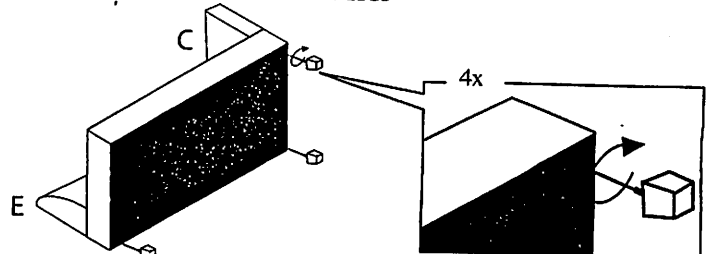
\*Stop when the rod starts coming out on the other end



#### STEP 2- MOUNT THE SEAT BACK AND THE ARM INTO THE SEAT FRAME



#### STEP 3- PUT BACK THE FABRIC COVER AND INSERT LEGS



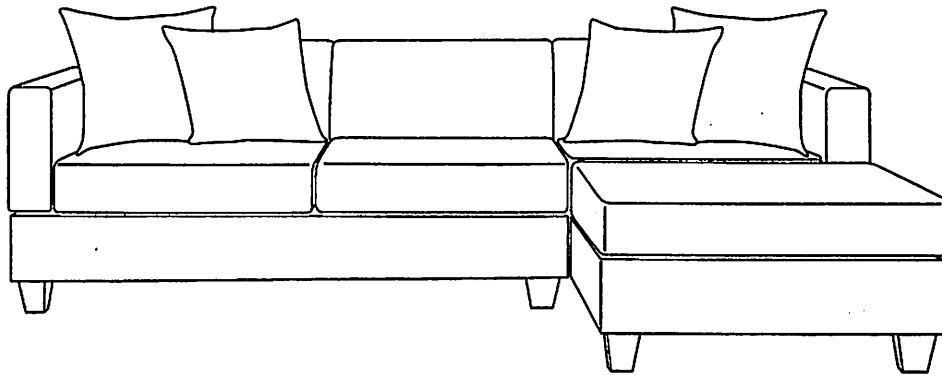
## \*\*\*NOTICE BEFORE ASSEMBLY\*\*\*

Please choose the Chaise will be on the **LEFT** or **RIGHT** hand side

### ASSEMBLY INSTRUCTION

FOR MODEL NO. : F7182, F7183, F7184

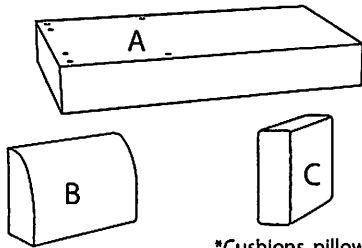
**[ CHAISE ON THE RIGHT ]**



Control No.  
VENDOR 6

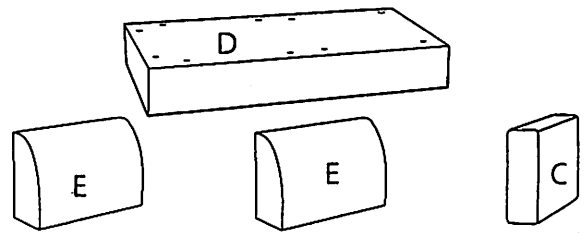
### PARTS LIST

BOX-1



\*Cushions, pillows and legs included\*

BOX-2



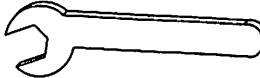
\*Cushions, pillows and legs included\*

1.  x10

2.  x10

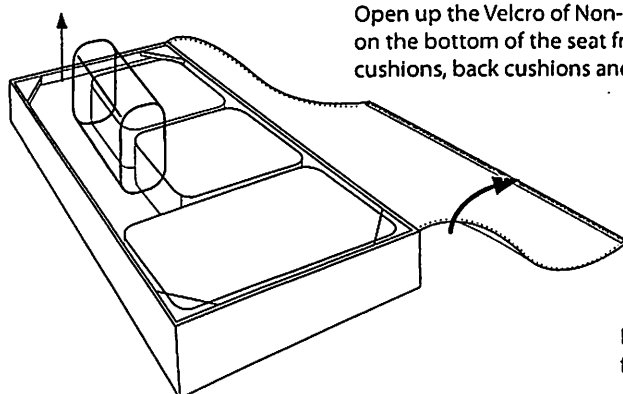
3.  x10

4.  x10

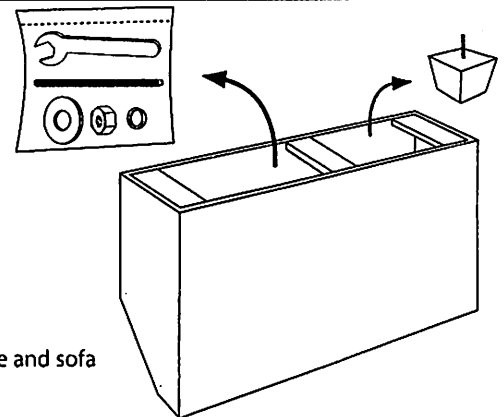
5.  x1

6.  x8

### BEFORE ASSEMBLY

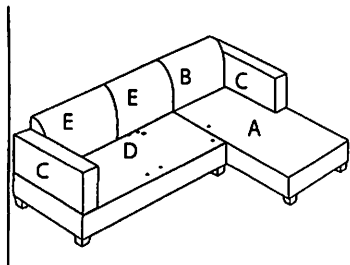
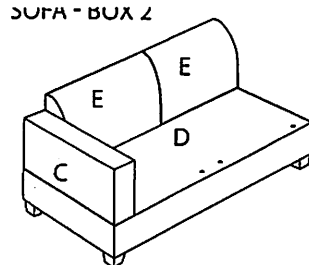
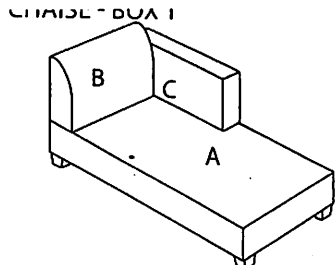
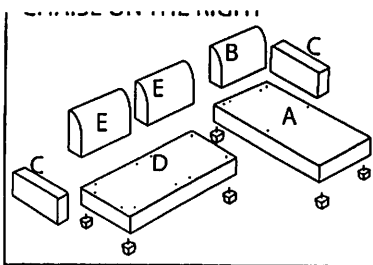


Open up the Velcro of Non-Woven Fabric cover on the bottom of the seat frame to remove seat cushions, back cushions and pillow



Remove hardware for chaise and sofa from inside the seat backs.

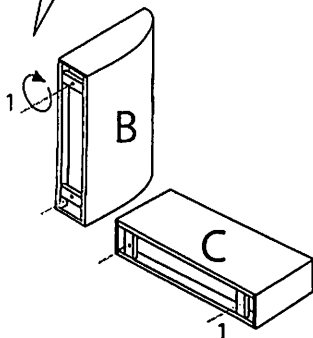
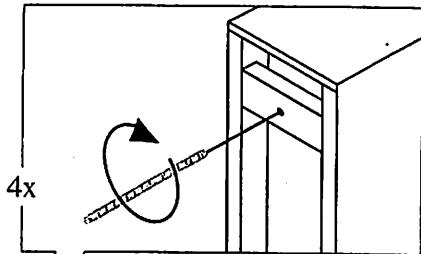
\*\*\*PLEASE REMOVE ALL PARTS FROM SEAT FRAMES AND SEAT BACKS BEFORE ASSEMBLY\*\*\*



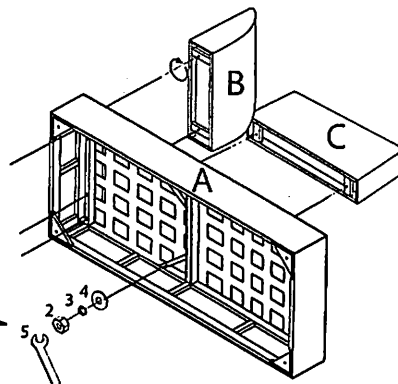
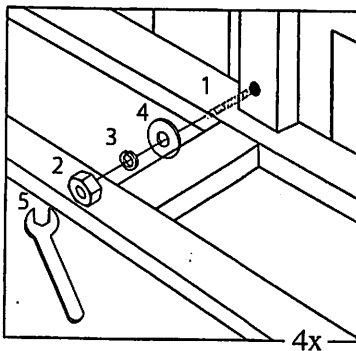
### CHAISE ASSEMBLY INSTRUCTION-BOX 1

#### STEP 1- INSERT THREADED ROD INTO SEAT BACKS

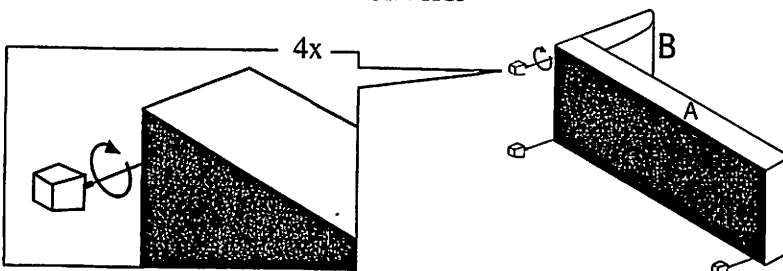
\*Stop when the rod starts coming out on the other end



#### STEP 2- MOUNT SEAT BACKS INTO THE SEAT FRAME



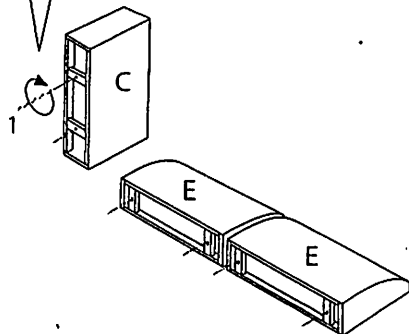
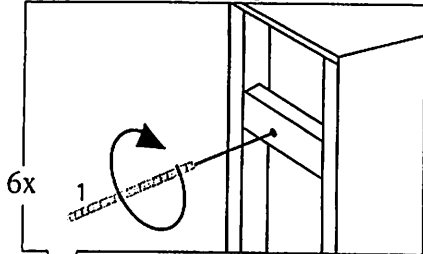
#### STEP 3- PUT BACK THE FABRIC COVER AND INSERT LEGS



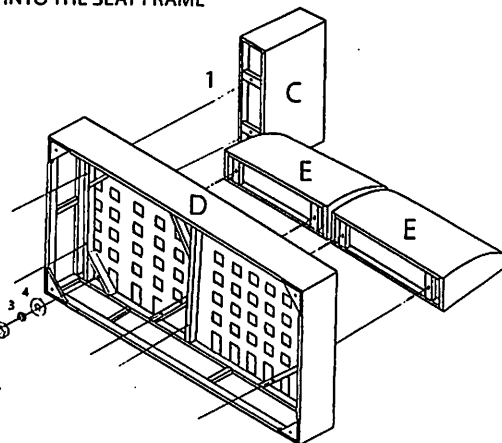
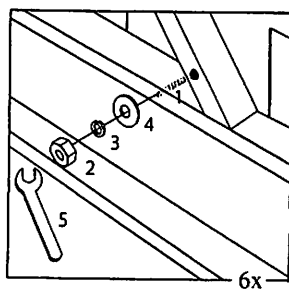
### SOFA ASSEMBLY INSTRUCTION - BOX 2

#### STEP 1- INSERT THREADED RODS INTO THE SEAT BACK AND THE ARM

\*Stop when the rod starts coming out on the other end



#### STEP 2- MOUNT THE SEAT BACK AND THE ARM INTO THE SEAT FRAME



#### STEP 3- PUT BACK THE FABRIC COVER AND INSERT LEGS

