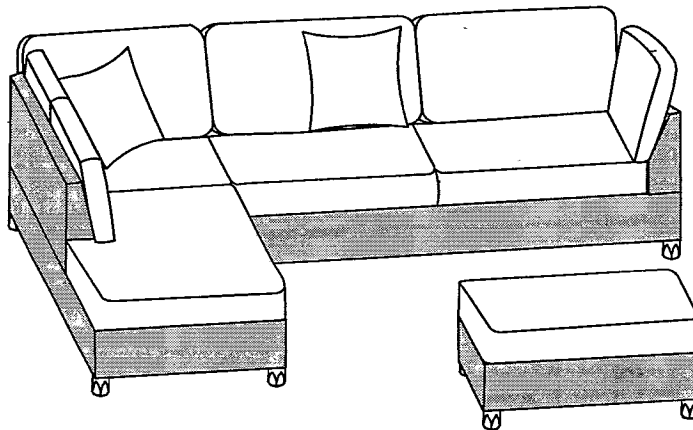


*** NOTICE BEFORE ASSEMBLY ***

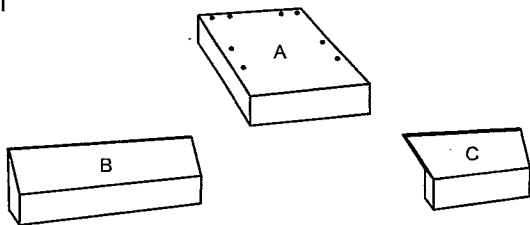
Please choose the **CHAISE** will be on
the **LEFT** or **RIGHT** hand side.

#Assembly Instruction I: CHAISE ON THE LEFT



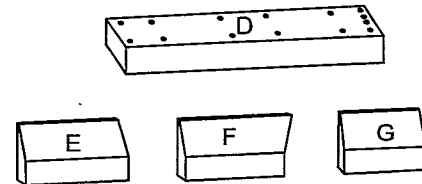
PARTS LIST

BOX-1



*Cushions, pillow and legs included

BOX-2

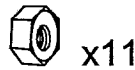


*Cushions, pillow and legs included

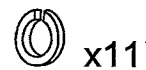
1



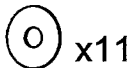
2



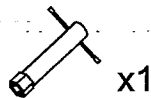
3



4



5



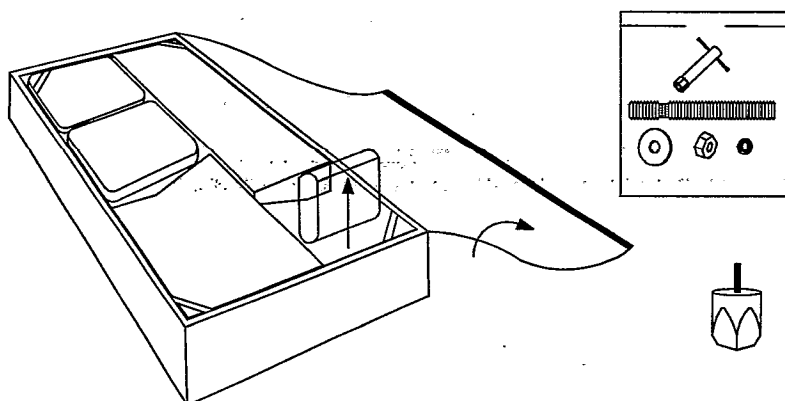
6



7



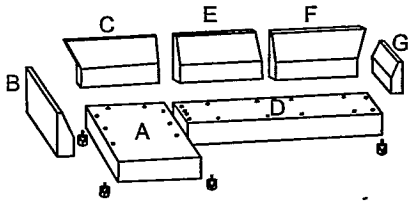
BEFORE ASSEMBLY



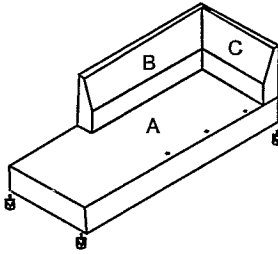
Open up the Velcro of Non-Woven Fabric cover on the bottom of the seat frame to remove seat cushions, back cushions and pillow.

PLEASE REMOVE ALL PARTS FROM SEAT FRAMES AND BACKS BEFORE ASSEMBLY

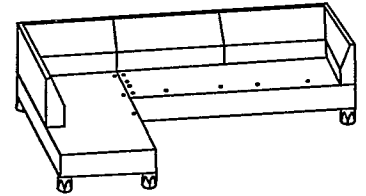
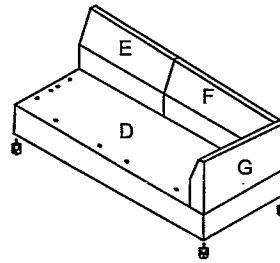
CHAISE ON THE LEFT



CHAISE - BOX 1



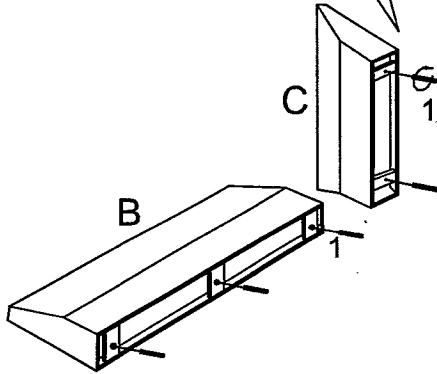
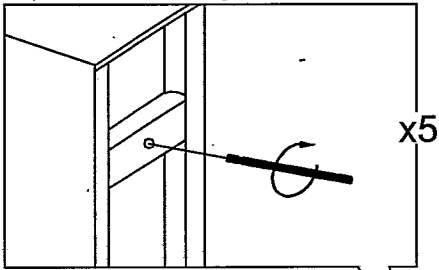
SOFA - BOX 2



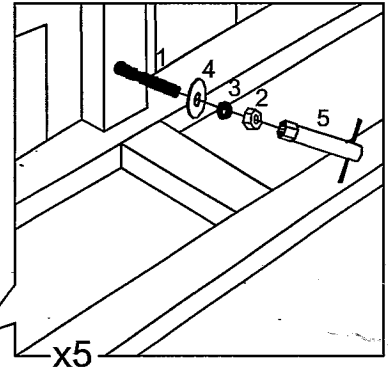
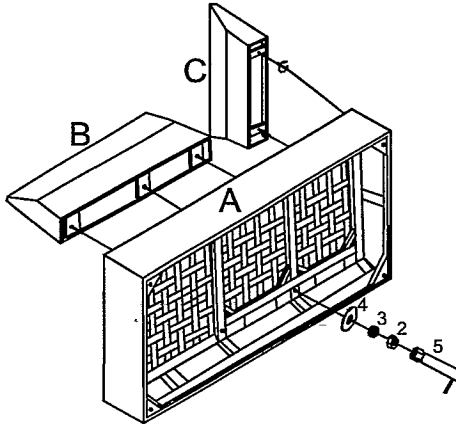
CHAISE ASSEMBLY INSTRUCTION-BOX 1

STEP 1 - INSERT THREADED RODS INTO SEAT BACKS

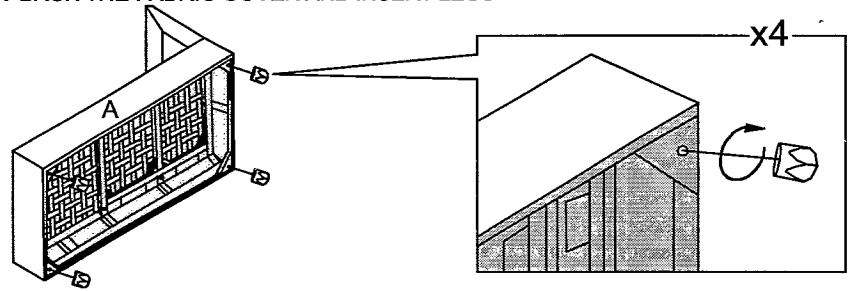
*Stop when the rod starts coming out on the other end



STEP 2 - MOUNTED SEAT BACKS INTO THE SEAT FRAME

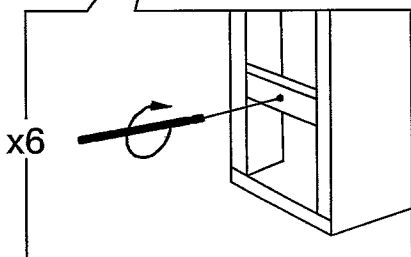
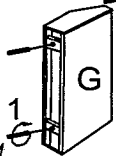
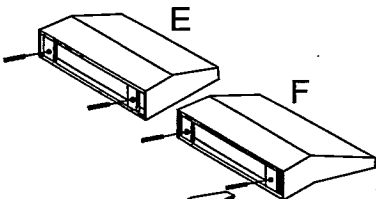


STEP 3 - PUT BACK THE FABRIC COVER AND INSERT LEGS



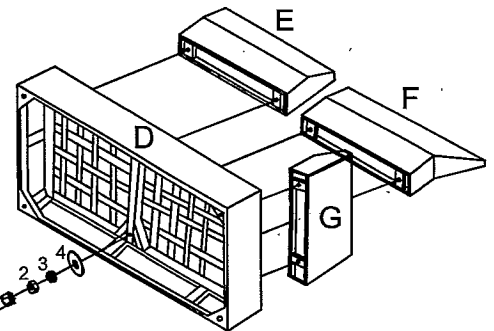
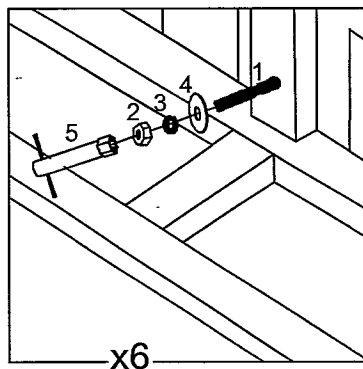
SOFA ASSEMBLY INSTRUCTION-BOX 2

STEP 1 - INSERT THREADED ROD INTO SEAT BACKS

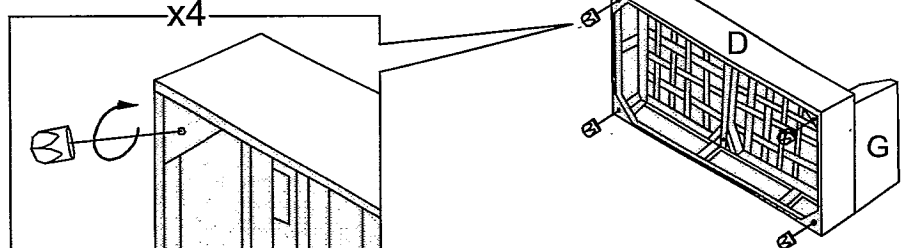


*Stop when the rod starts coming out on the other end

STEP 2 - MOUNT SEAT BACKS INTO THE SEAT FRAME



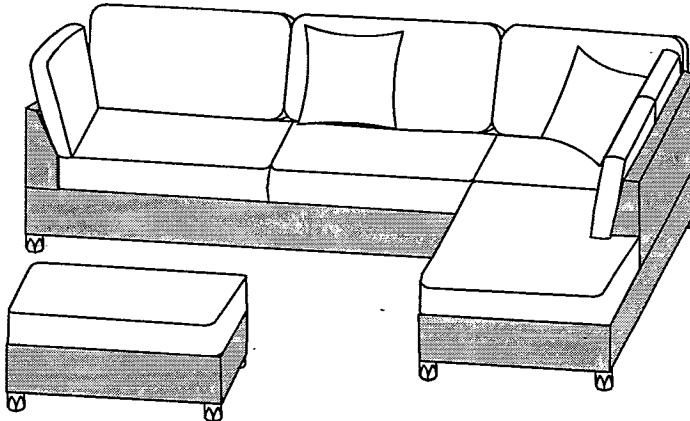
STEP 3 - PUT BACK THE FABRIC COVER AND INSERT LEGS



*** NOTICE BEFORE ASSEMBLY ***

Please choose the **CHAISE** will be on
the **LEFT** or **RIGHT** hand side.

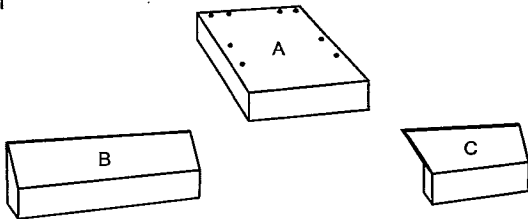
#Assembly Instruction II: CHAISE ON THE RIGHT



Before assembly, open both Box 1 and Box 2 to switch between Part C and Part F. And you will get the direction of right chaise.

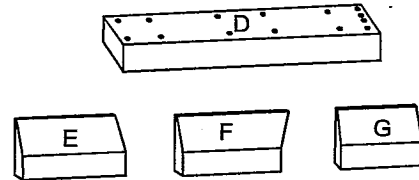
PARTS LIST

BOX-1



*Cushions, pillow and legs included

BOX-2



*Cushions, pillow and legs included

1  x11

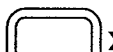
2  x11

3  x11

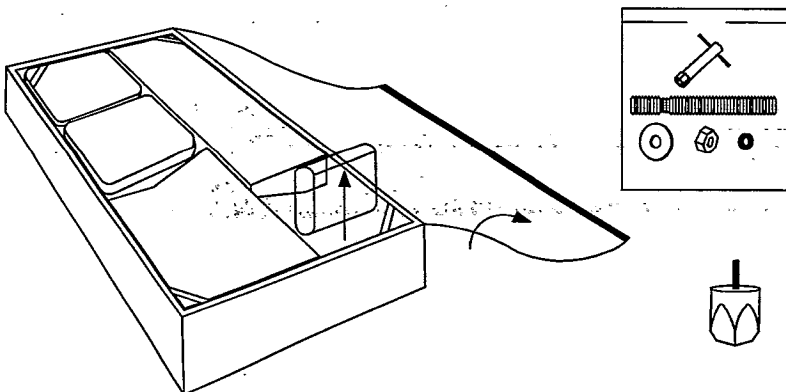
4  x11

5  x1

6  x8

7  x2

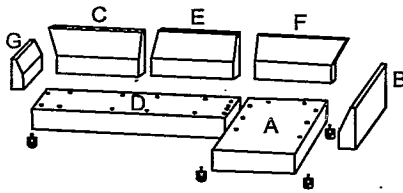
BEFORE ASSEMBLY



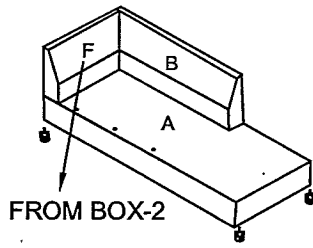
Open up the Velcro of Non-Woven Fabric cover on the bottom of the seat frame to remove seat cushions, back cushions and pillow.

PLEASE REMOVE ALL PARTS FROM SEAT FRAMES AND BACKS BEFORE ASSEMBLY

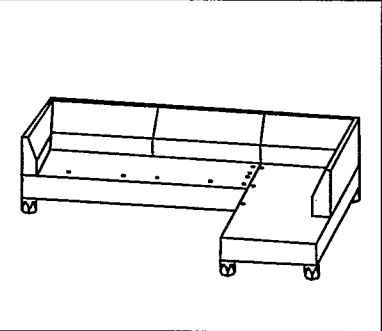
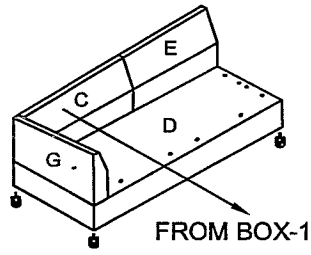
CHAISE ON THE LEFT



CHAISE - BOX 1



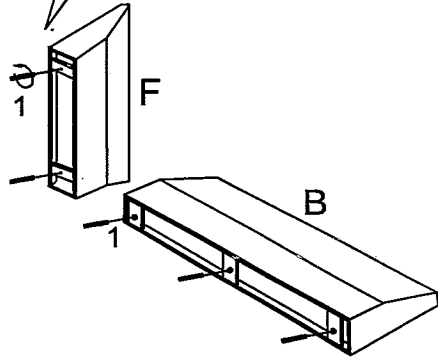
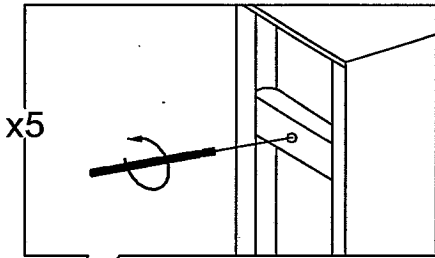
SOFA - BOX 2



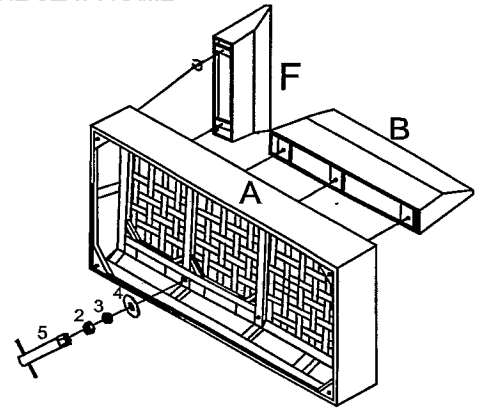
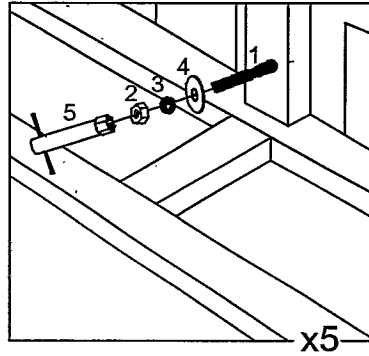
CHAISE ASSEMBLY INSTRUCTION-BOX 1

STEP 1- INSERT THREADED RODS INTO SEAT BACKS

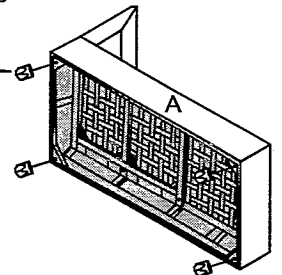
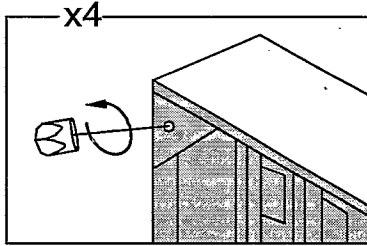
*Stop when the rod starts coming out on the other end



STEP 2- MOUNTED SEAT BACKS INTO THE SEAT FRAME

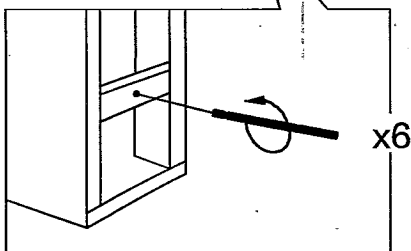
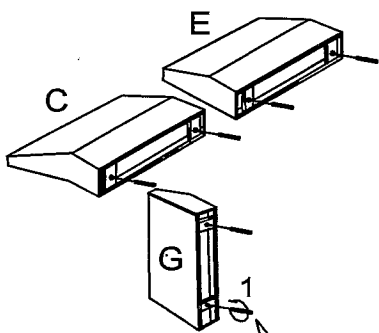


STEP 3- PUT BACK THE FABRIC COVER AND INSERT LEGS



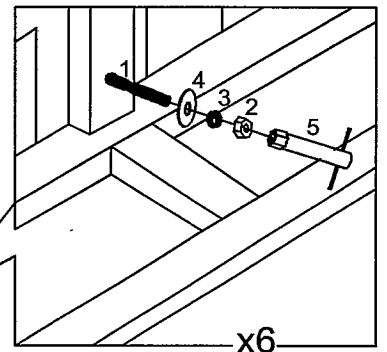
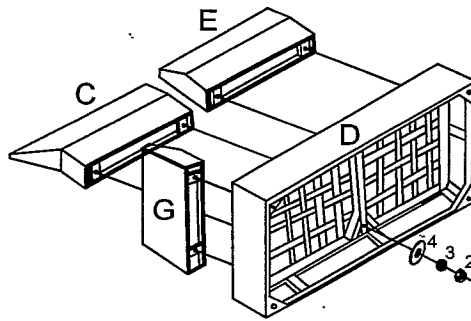
SOFA ASSEMBLY INSTRUCTION-BOX 2

STEP 1- INSERT THREADED ROD INTO SEAT BACKS

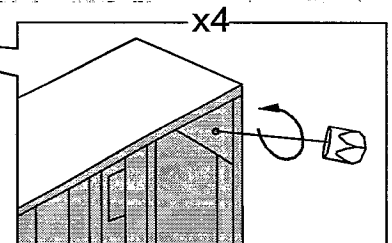
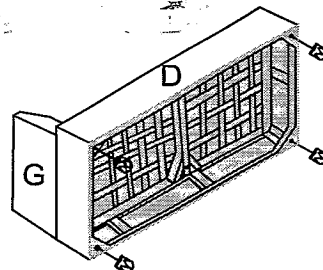


*Stop when the rod starts coming out on the other end

STEP 2- MOUNT SEAT BACKS INTO THE SEAT FRAME



STEP 3- PUT BACK THE FABRIC COVER AND INSERT LEGS



OPTIONAL: CHAISE + SOFA (SECTIONAL)

THE CHAISE FRAME AND THE MATCHING SOFA FRAME CAN BE ATTACHED TOGETHER BY THE "N" SHAPE HANGERS AS SHOWN BELOW.

