



K O D A M A

Small Zome Lounger

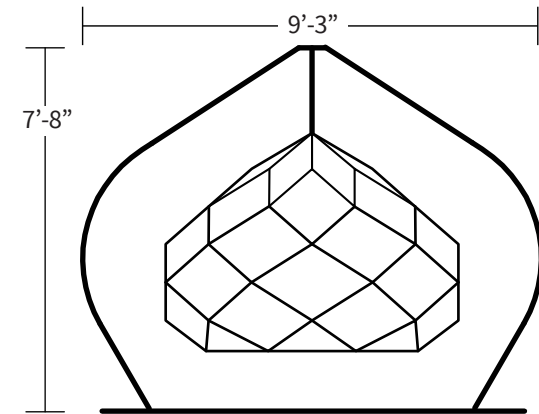
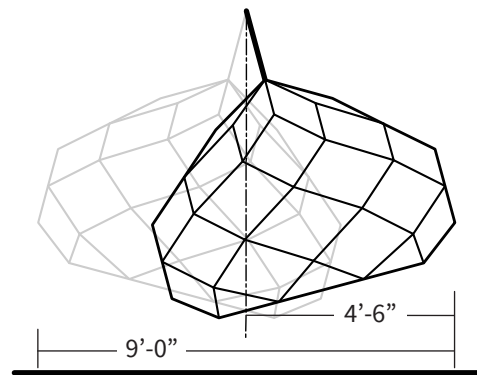
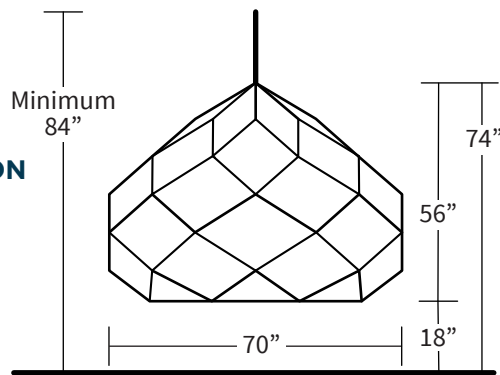
Product Dimensions

PRODUCT DIMENSIONS

CLEARANCE DIMENSIONS

DIMENSIONS W/ STAND

ELEVATION
VIEW



Typical minimum clearance dims shown.
Actual amount of swing depends on
length of rigging to overhead anchor.

ADDITIONAL INFO:

Allowable Weight Capacity: 500 lbs.
Requires overhead anchor capable of 1,000 lbs.
Comfortable for 1-2 people.

Typical height to overhead anchor ranges from 8' to 12'.
As anchor height increases, clearance dimensions increase.

Optional Tether Kits available to restrict swing and reduce clearance needed.