



KODAMA

SKU: 818

PRODUCT DETAIL SHEET

## Large Zome Lounger

This is where comfort begins. The motion of this hanging lounger is sublime. Start with the zome frame, then add your cushions and rigging to suit. Prepare to have your style and relaxation. Elevated.

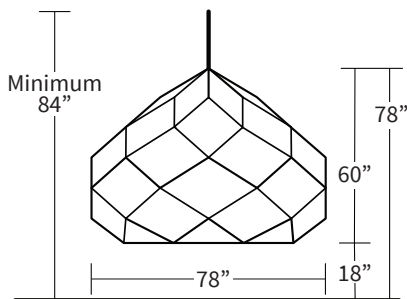


<b>Weight Capacity:</b>	600 lbs
<b>Comfortable for:</b>	1-4 people
<b>Applications:</b>	Commercial or Residential. Indoor or Outdoor
<b>Materials:</b>	Double-layer powdercoated steel Outdoor grade polyester webbing Marine grade 316 stainless steel hardware
<b>Cushion Options:</b>	Premium Cushion Set included with Sunbrella Upholstery and foam options • See Custom Cushion Set (SKU: 818CS)
<b>Hanging Options:</b>	Rigging not included. Available rigging options: • Curved Tripod Stand (SKU: 818ST) • Various Rigging Kits (SKU: RK-xx) • Ground Tether Kit (SKU: RK-THR) • Custom spec.
<b>Overhead Anchor req'd:</b>	Capable of supporting 1,500 lbs
<b>Shipping Specs:</b>	Carton 1: 56" x 56" x 6" 110 lbs. Carton 2: 56" x 56" x 10" 55 lbs.
<b>Assembly:</b>	Ships KD. Customer assembly with detailed video instruction. 1-2 people 1-2 hours.
<b>Product Origin:</b>	Oregon, USA
<b>Colorways:</b>	Fine Textured Black (SKU: 818BK) Oil Rubbed Bronze (SKU: 818BZ) Gunmetal Grey (SKU: 818GM)
<b>Warranty:</b>	5 year limited warranty

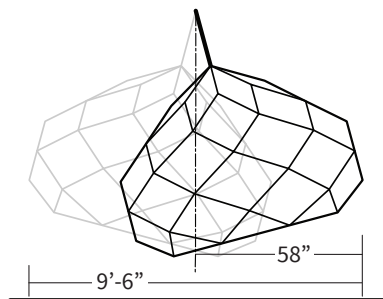
### SHOWN WITH OPTIONAL ACCESSORIES



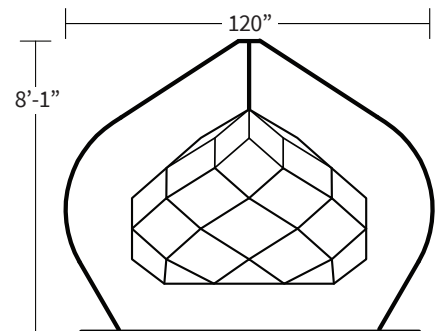
### PRODUCT DIMENSIONS



### CLEARANCE DIMENSIONS



### DIMENSIONS W/ OPTIONAL STAND



Typical minimum clearance dims shown.  
Actual amount of swing depends on length of rigging to overhead anchor.