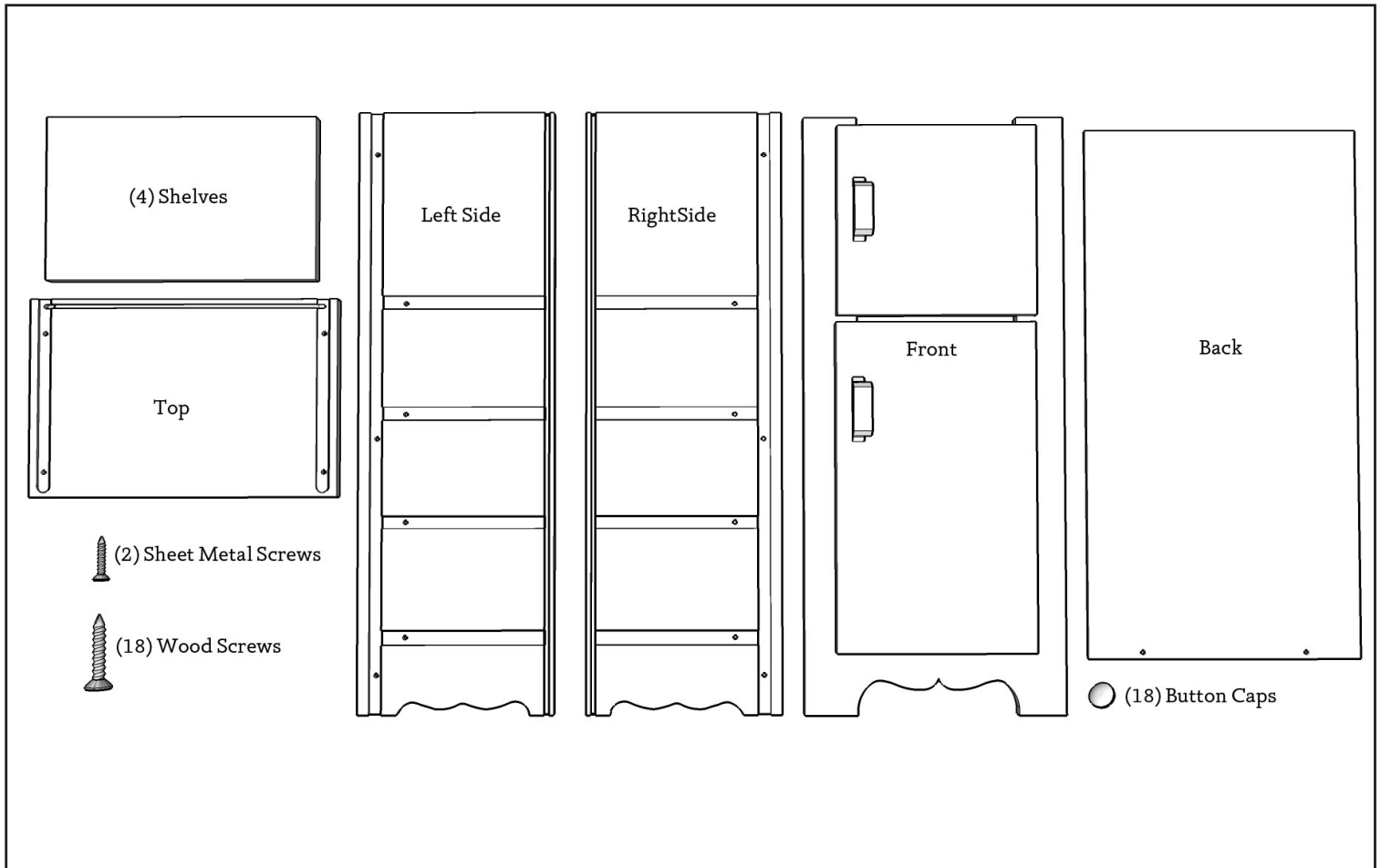


JACOB'S ICEBOX ASSEMBLY INSTRUCTIONS

Parts



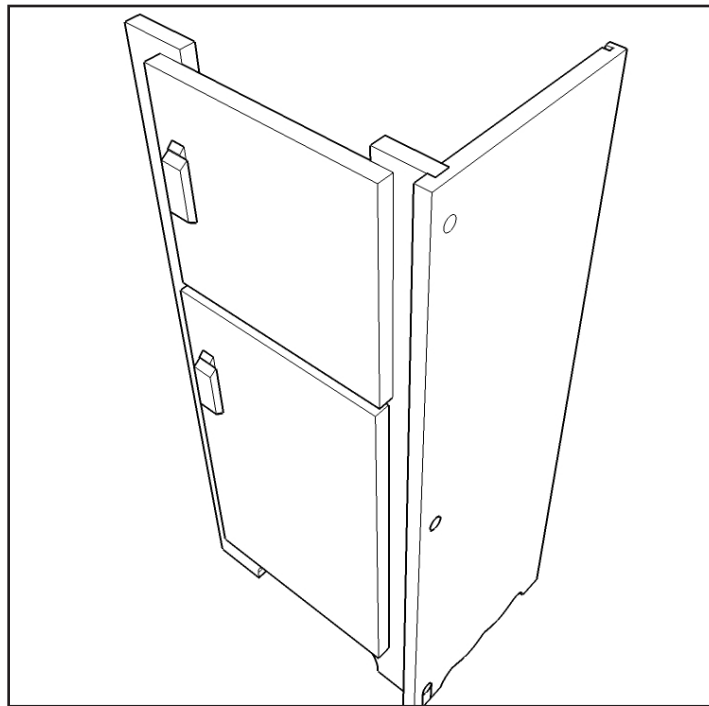
Pre-Installation Information

- Start by familiarizing yourself with the parts above. This will make it easier to know how it all fits together.
- You will need a Phillips Head Screwdriver and a few drops of glue for the button caps
- Locate a flat, level work surface, like a hardwood floor or a large table.
- Pine is a soft wood, do not overtighten screws as you can strip out the material. This is less likely to happen with a screwdriver, so take care when using a drill or screw gun.
- Remember that this product is made of wood, a natural, living material. As such, humidity and dryness in the air can influence the product. Though it has been produced with the greatest care and precision possible you may experience minor variation in fit and finish.
- Read instructions completely before beginning so that you fully understand the process. It's easy and fun to do, but you'll feel more confident if you know what the next step is before you get there.

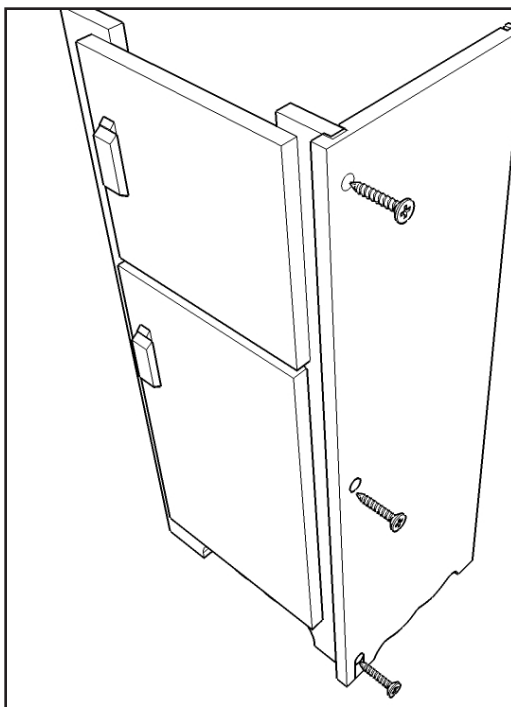
Caring for Jacob's Icebox

- The Icebox is made of natural wood that has been finished with Tried & True Danish Oil, a polymerized linseed oil, which is food safe and non-toxic. To maintain the satin finish, we recommend reapplying this oil periodically, as you notice the wood drying out. Please visit <http://www.triedandtruewoodfinish.com> to find a retailer.
- Should the wood become discolored, we recommend cleaning it with Murphy's Oil Soap. If stubborn stains persist, use a fine green scrubbie (such as used on pots and pans) and rub lightly following the grain of the wood. Then apply a thin coat of the Danish Oil, according to the instructions provided.

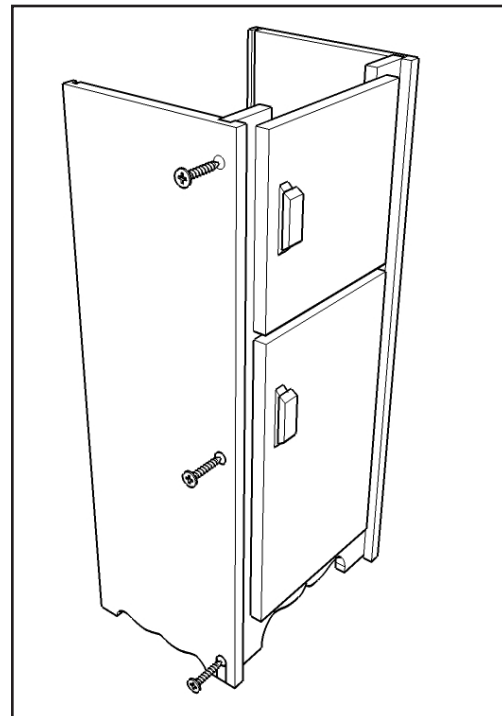
Assembly



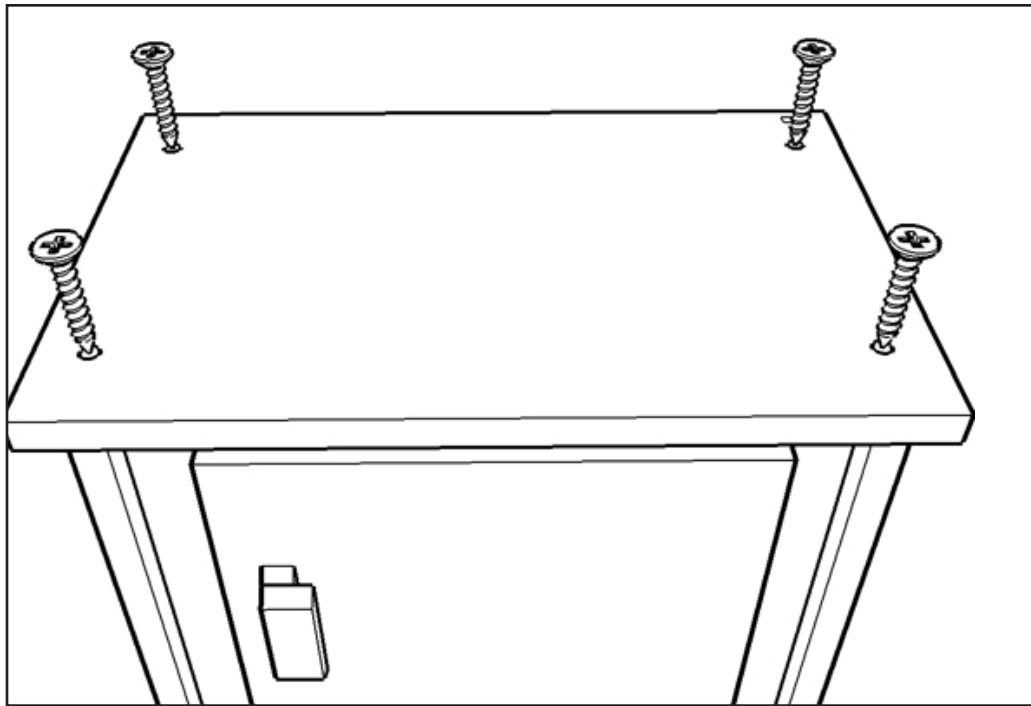
1. Insert the *Front* into the slot on the *Right Side*.



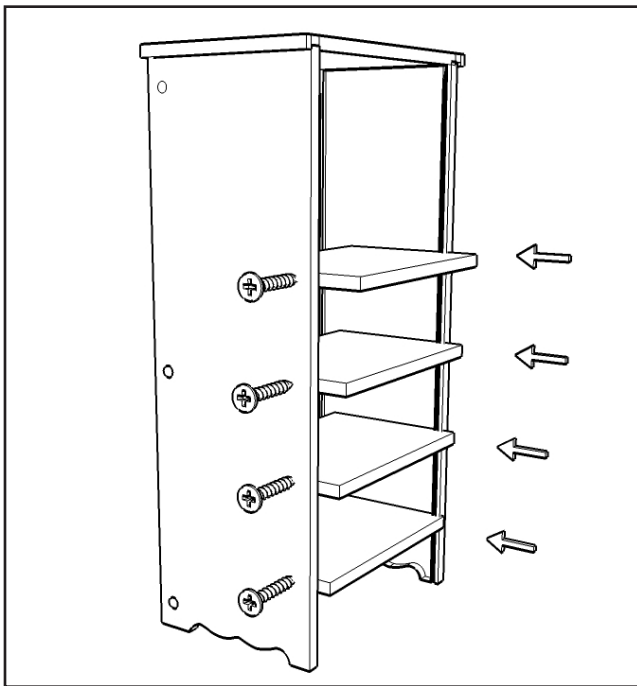
2 Insert and drive three *Wood Screws* into the *Right Side*.



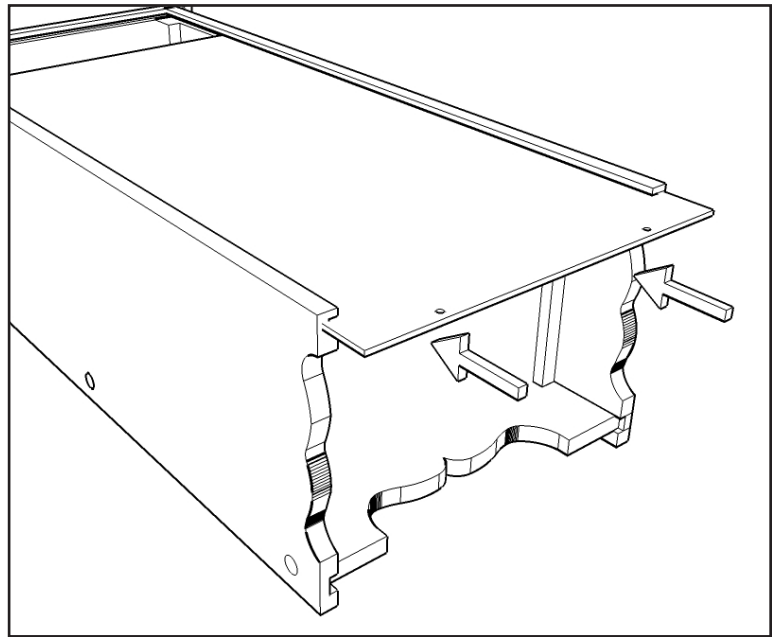
3. Insert and drive *Wood Screws* into the *Left Side*.



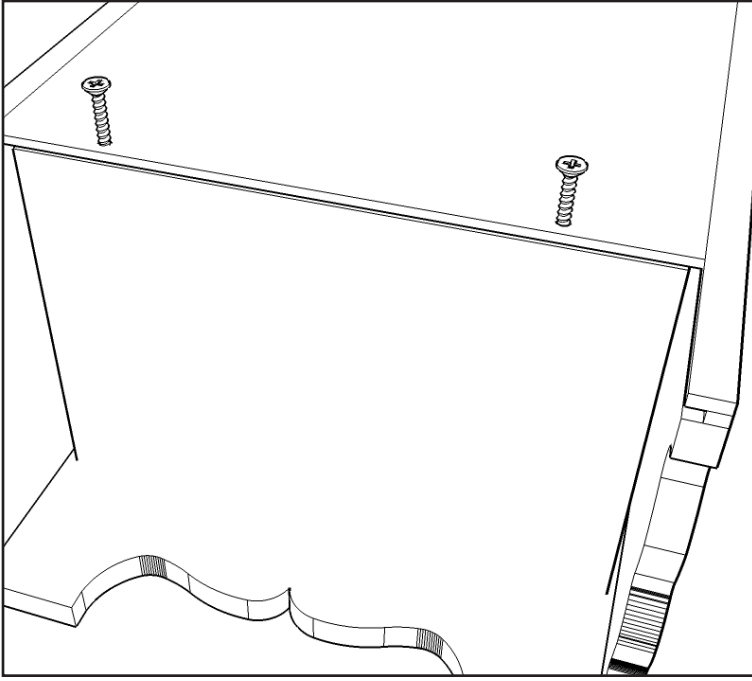
4. Fit the *Top* so that the slots are fully engaged with the top edges of the *Right* and *Left Sides*. It is a snug fit, so make sure each side is firmly in place before attempting the next step. Insert and drive four *Wood Screws* into the *Top*, securing it to the *Left* and *Right Sides*.



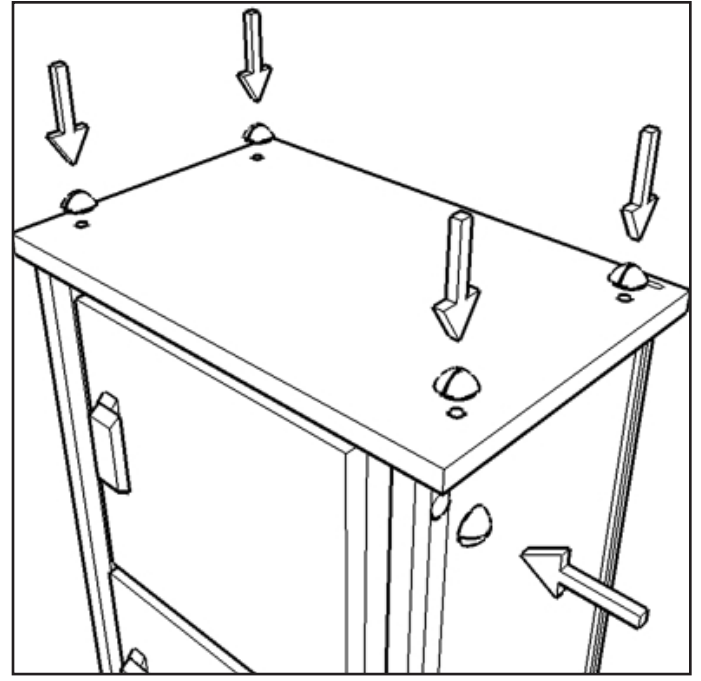
5. Slide the *Shelves* into the slots along the *Left* and *Right Sides*, starting at the bottom and working your way up. Work to push them in straight to prevent them from binding up. Drive *Wood Screws* as shown on both sides to secure *Shelves*.



6. Lay the *Icebox* on its front and slide the *Back* from the bottom up along the slots in the sides. As with the shelves, work carefully to slide it straight through the tracks.



7. Insert and drive *Sheet Metal Screws* through the *Back* into the bottom *Shelf*.



8. Insert the *Button Caps* to cover the *Wood Screws* with a dab of white glue.

CONGRATULATIONS ON A JOB WELL DONE!
WE HOPE YOU AND YOUR CHILD ENJOY
YEARS OF PLAY WITH YOUR NEW
JACOB'S ICEBOX

