

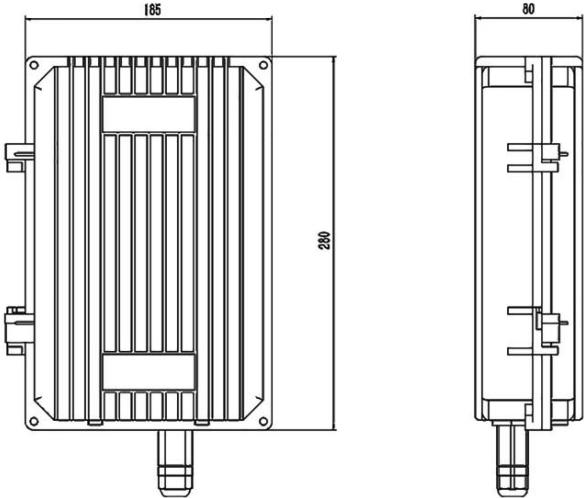
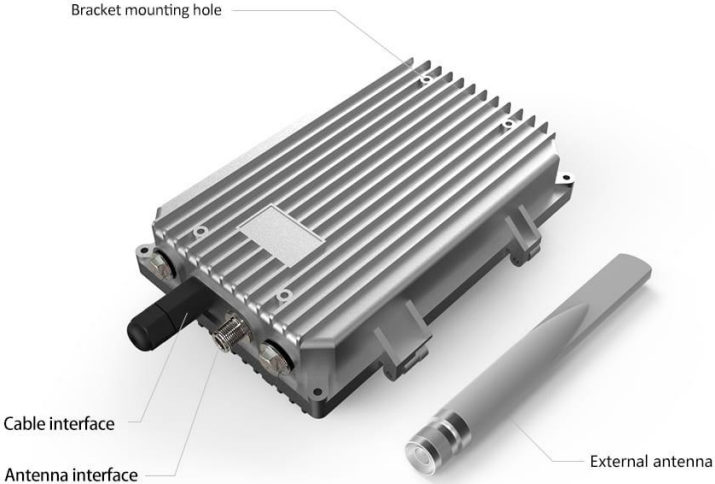


UbiTrack

Outdoor Anchor UbiTrack-A2 Product manual

Product Introduction

UbiTrack-A2 is an outdoor positioning anchor that supports UWB technologies. It adopts aluminum alloy metal shell, supports IP65 waterproof and dustproof. The anchor uses the omnidirectional antenna, which allows it to work under various harsh environments.

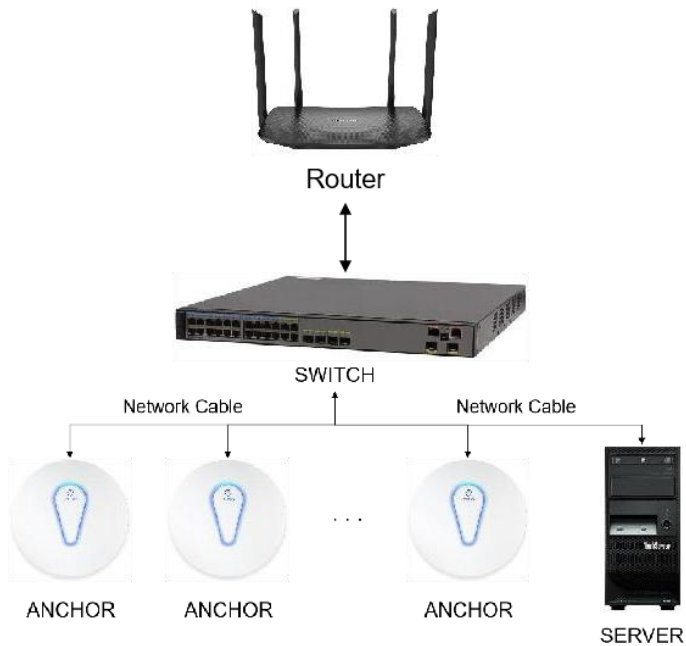


Equipment parameters

- Power Supply: PoE or DC 220V
- Network: Supports Ethernet(PoE)
- Positioning System Frequency: 3.5GHz-6.5GHz
- Operating Temperature: -20°C to 60°C
- Dimensions: 11.02" × 7.28" × 3.15"
(280mmx185mmx80mm)
- Housing Material: Die-casting Aluminum
- IP Level: IP65

Installation method

The hardware network connection is shown in the diagram below. The server and the base station are connected to the switch separately, and the switch is connected to the router (with DHCP enabled) to form a network. If the switch is a regular switch, the base station needs to be powered separately after being connected to the switch via an Ethernet cable. If it is a PoE switch, a Category 5 or higher Ethernet cable can be used to directly connect the base station without the need for a separate power supply. After the base station is connected to the network switch via Ethernet cable, it will automatically connect to the platform.



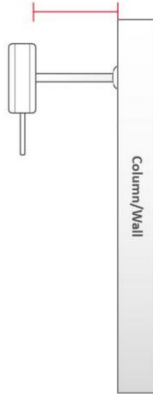
Note:

1. When configuring a new base station to join the network, it must be connected to the switch one by one and powered on for configuration. It is not possible to connect and power on multiple base stations simultaneously for configuration, otherwise there may be IP address conflicts and the base station may not be able to automatically join the network.
2. Before deploying and installing the base station, please record the last four digits of the base station's serial number and its deployment location, in order to facilitate the setting of the base station in the future.

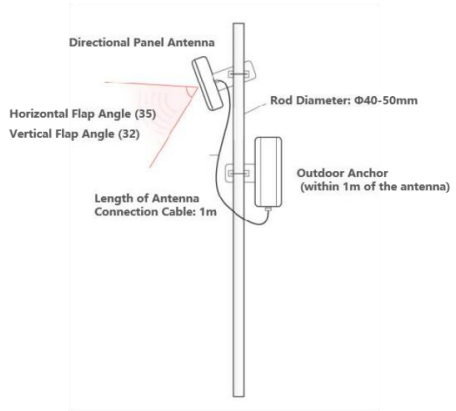
The distance between the base station antenna and the wall should be 15cm or more. This requirement is to reduce signal interference on the base station antenna. (Except for flat directional antennas).

**Outdoor anchor Installation
(Rod Omnidirectional Antenna)**

Distance between antenna and wall $\geq 15\text{cm}$

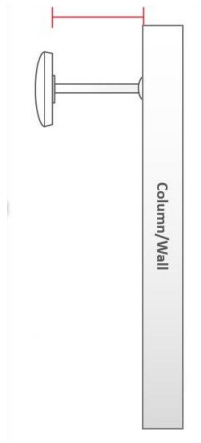


**Outdoor Anchor Installation
(Directional Panel Antenna)**



Indoor Anchor Installation (Wall)

Distance between antenna and wall $\geq 15\text{cm}$

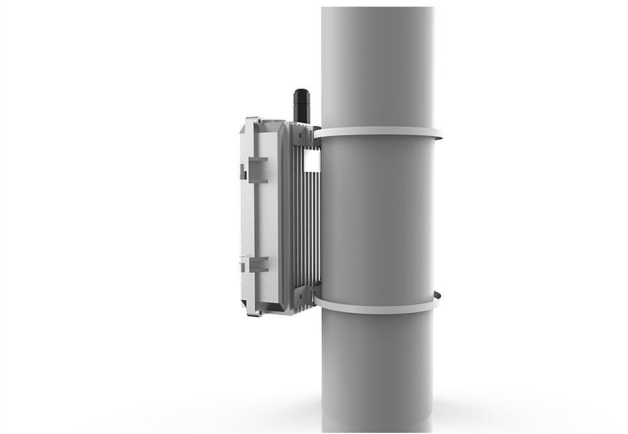


Indoor Anchor Installation (Ceiling)

Distance between antenna and wall $\geq 15\text{cm}$



Indoor base station has a built-in antenna, located at the upper center of the back, and this part should not be in direct contact with the metal bracket.



Warranty Information

The basic functions of short circuit protection and manual closing and opening are warranted for three years from the original purchase date, and other functions for one year. During the warranty period, the fault caused by the product quality problems under normal use will be given a free maintenance. The shipping cost of the repaired products shall be borne by the sender.

The following situations will not be covered by the warranty:

- ① Issues arising after the warranty period has ended.

- ② Failure or damage to the product caused by incorrect or improper operation not in accordance with the instructions.
- ③ Accidental or human-induced damage to the product, such as exceeding the temperature and humidity range of the device, immersion in water, dropping, abnormal external impact, deformation, cable damage, etc
- ④ Natural wear and aging of materials
- ⑤ Failure or damage caused by unauthorized removal of the product
- ⑥ Failure or damage caused by force majeure
- ⑦ Other faults or damage not caused by product design, technology, manufacturing, quality, etc

Please use and wear it in the correct way. Do not use excessive force or sharp tools to operate the equipment.

Please use the supplied data cable to charge. When not in use, please ensure that the data cable does not absorb other metals to avoid short circuit.



UbiTrack