

# Crestline® Altra Series™ Dampener

**Ryobi 3302M, Itek 3985  
A.B. Dick 9985**



**RyobiPress**  
P A R T S

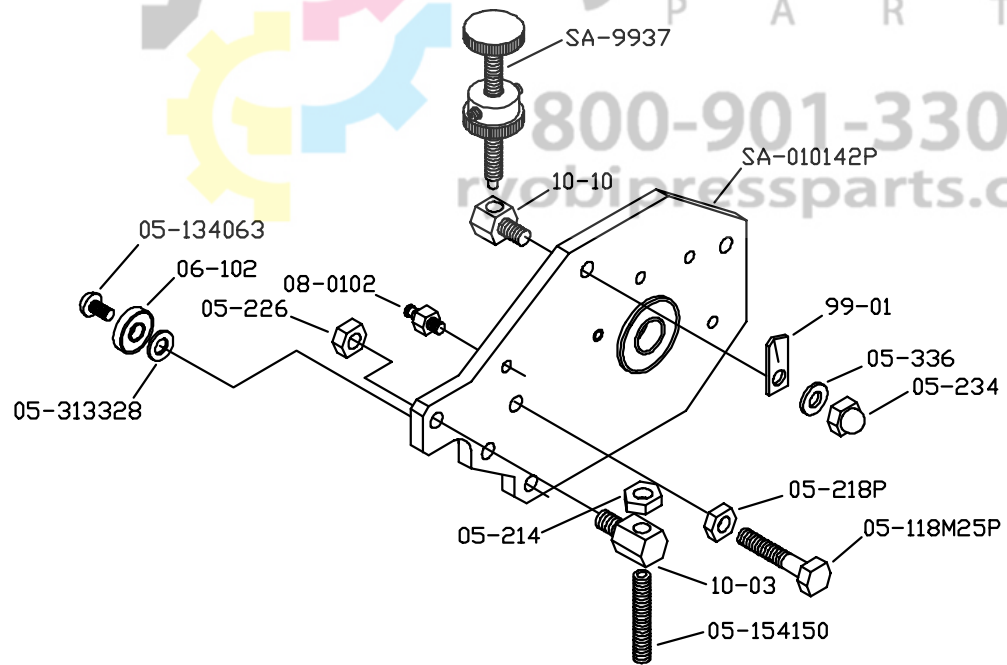
800-901-3304  
ryobipressparts.com

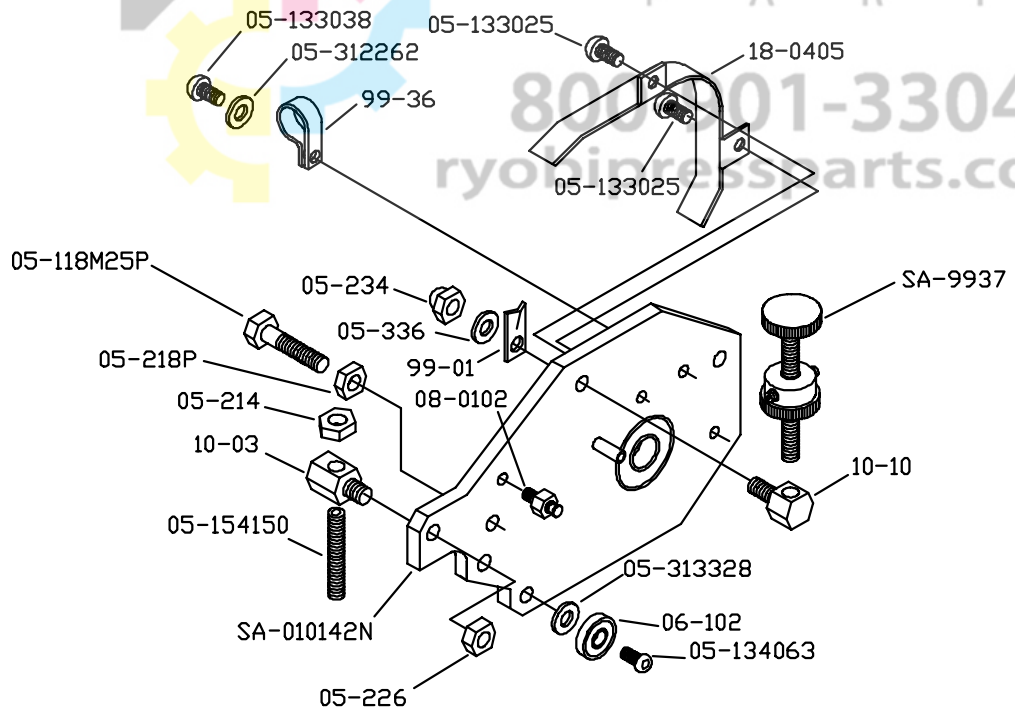
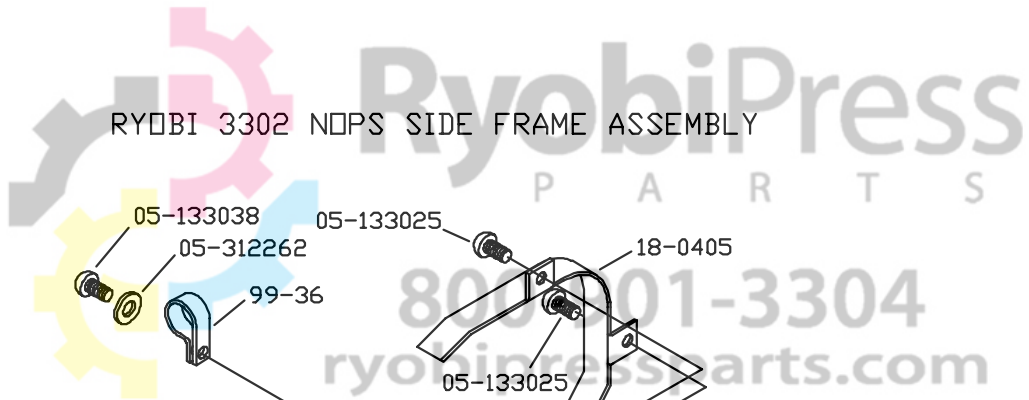
**ACCEL** ®

*Graphic Systems*

1

RYOBI 3302 OPS SIDE FRAME ASSEMBLY

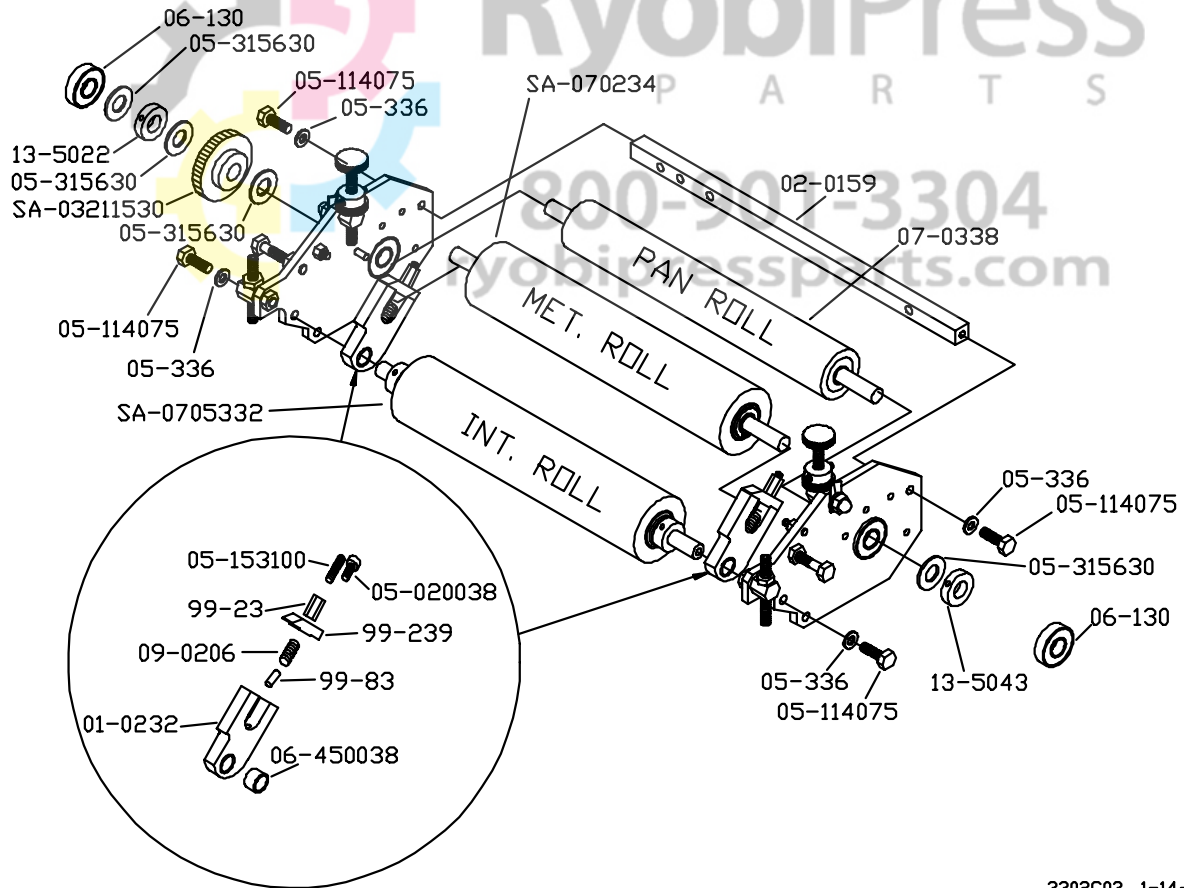




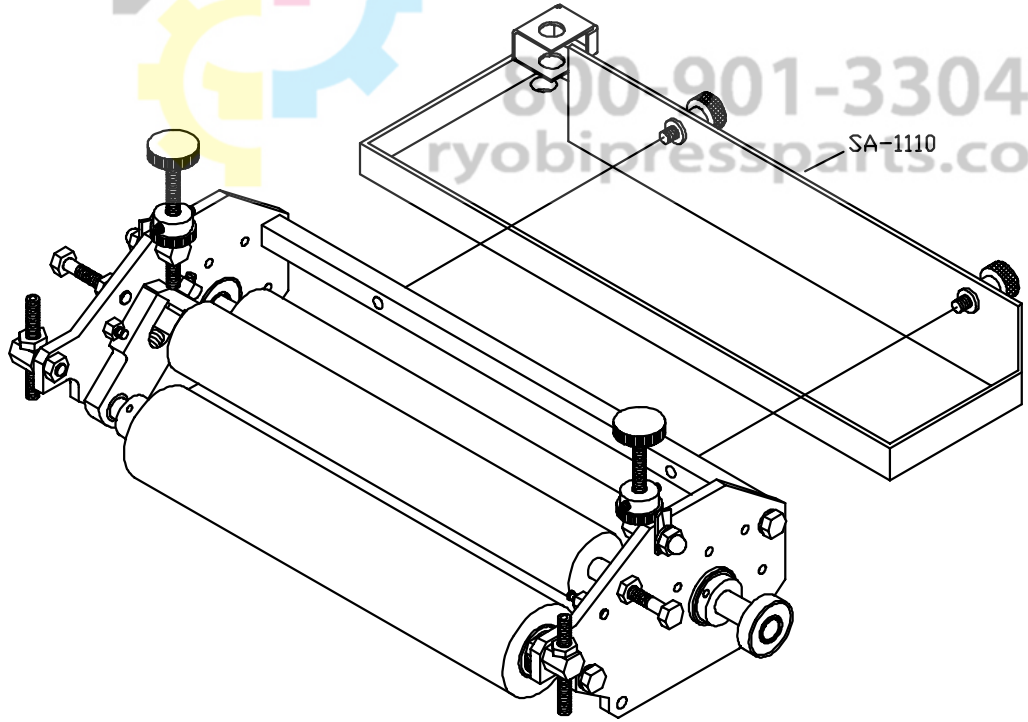
3302C02, 1-30-97

RYOBI 3302 DAMPENER ASSEMBLY

RyobiPress  
P A R T S

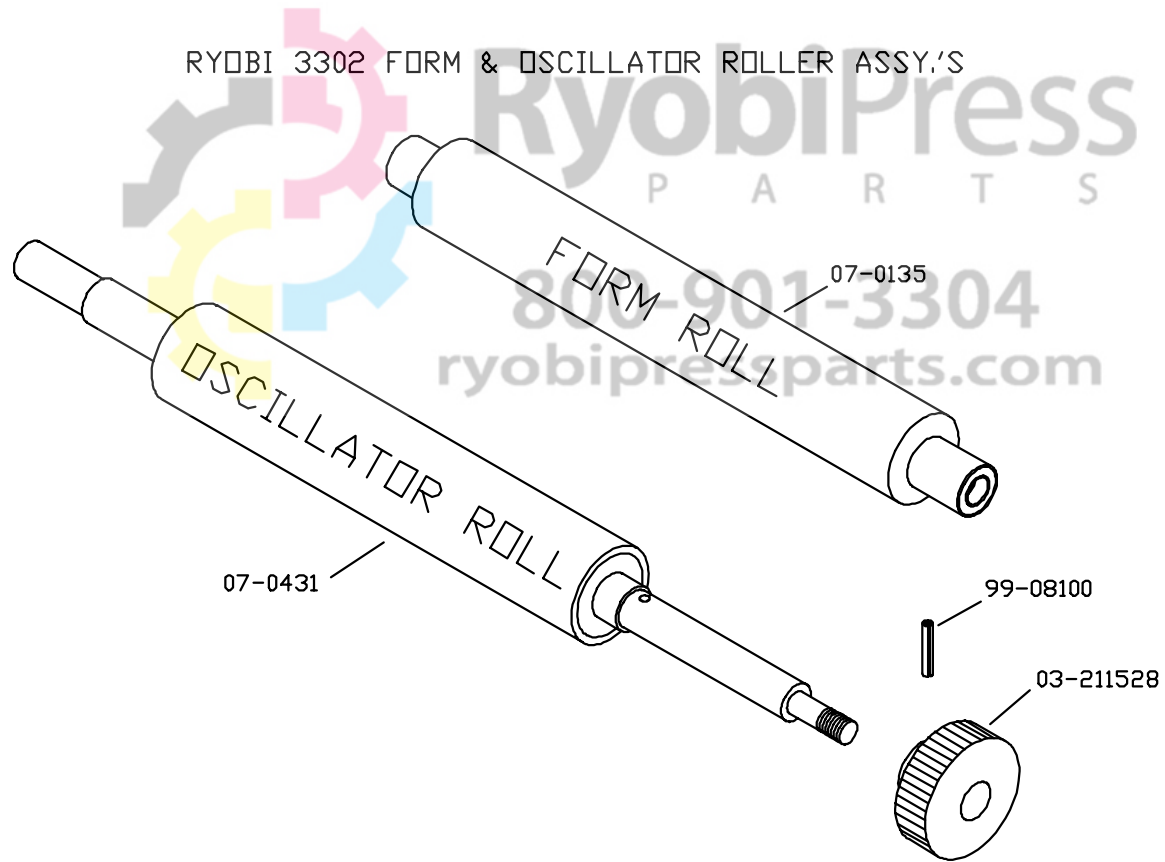


RYOBI 3302 WATER PAN ASSEMBLY

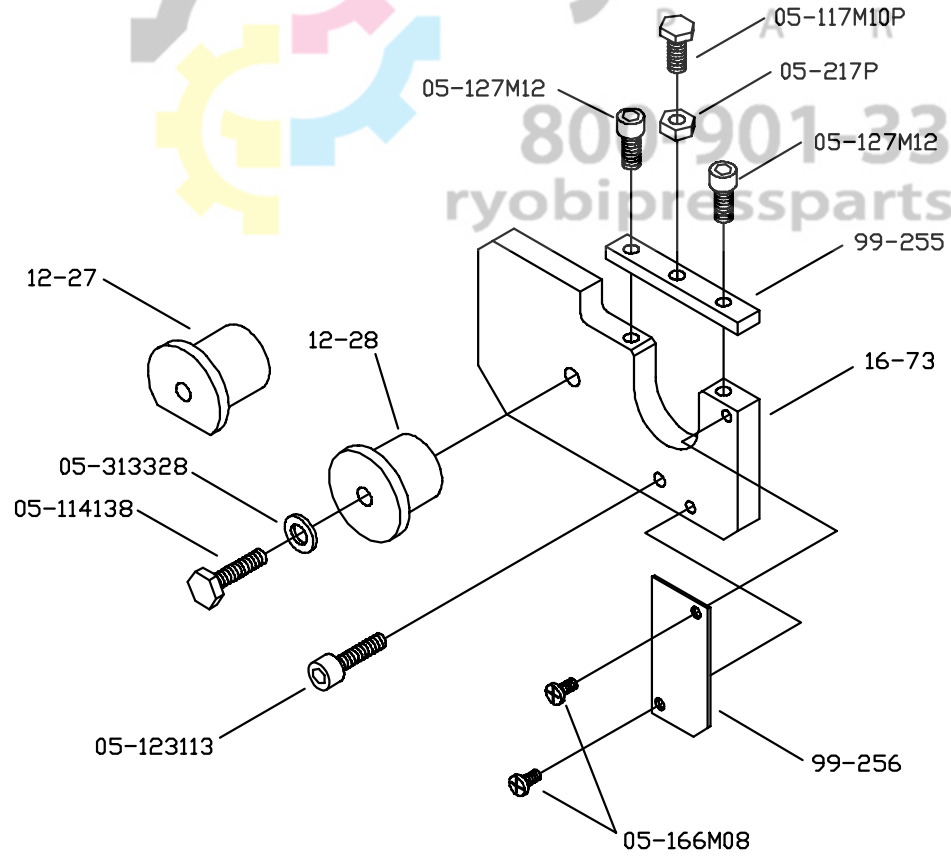


3302C04, 1-14-97

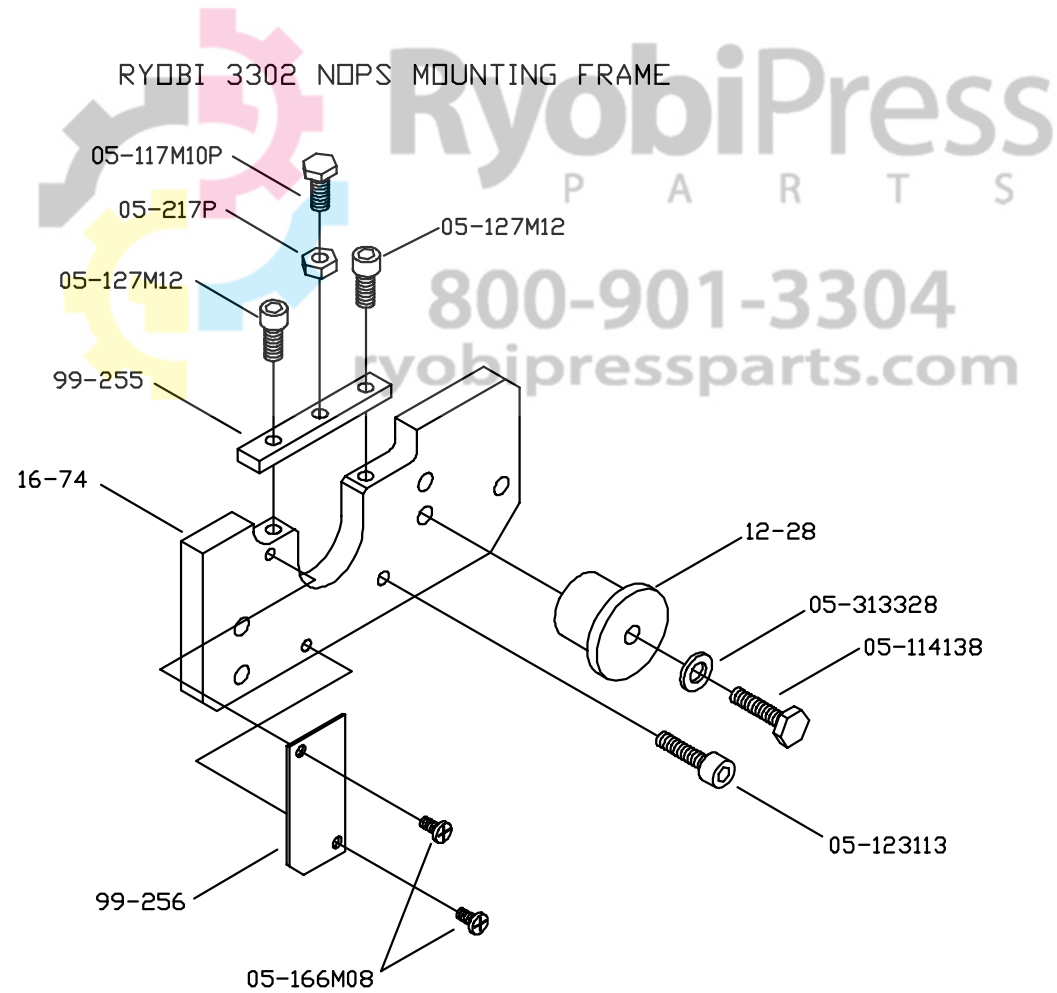
RYOBI 3302 FORM & OSCILLATOR ROLLER ASSY.'S



RYOBI 3302 OPS MOUNTING FRAME



3302C06, 1-14-97



3302C07, 1-14-97

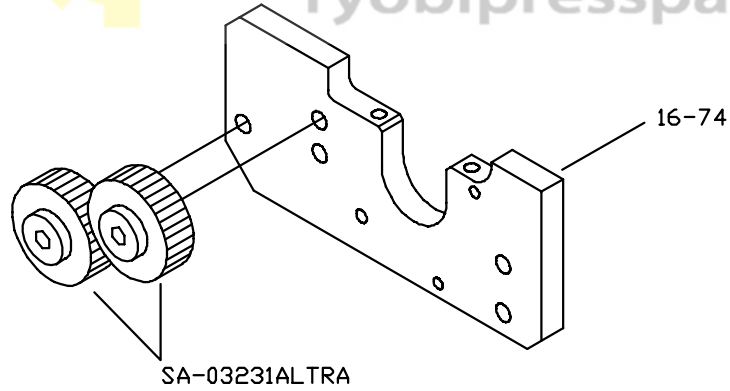




RyobiPress  
P A R T S

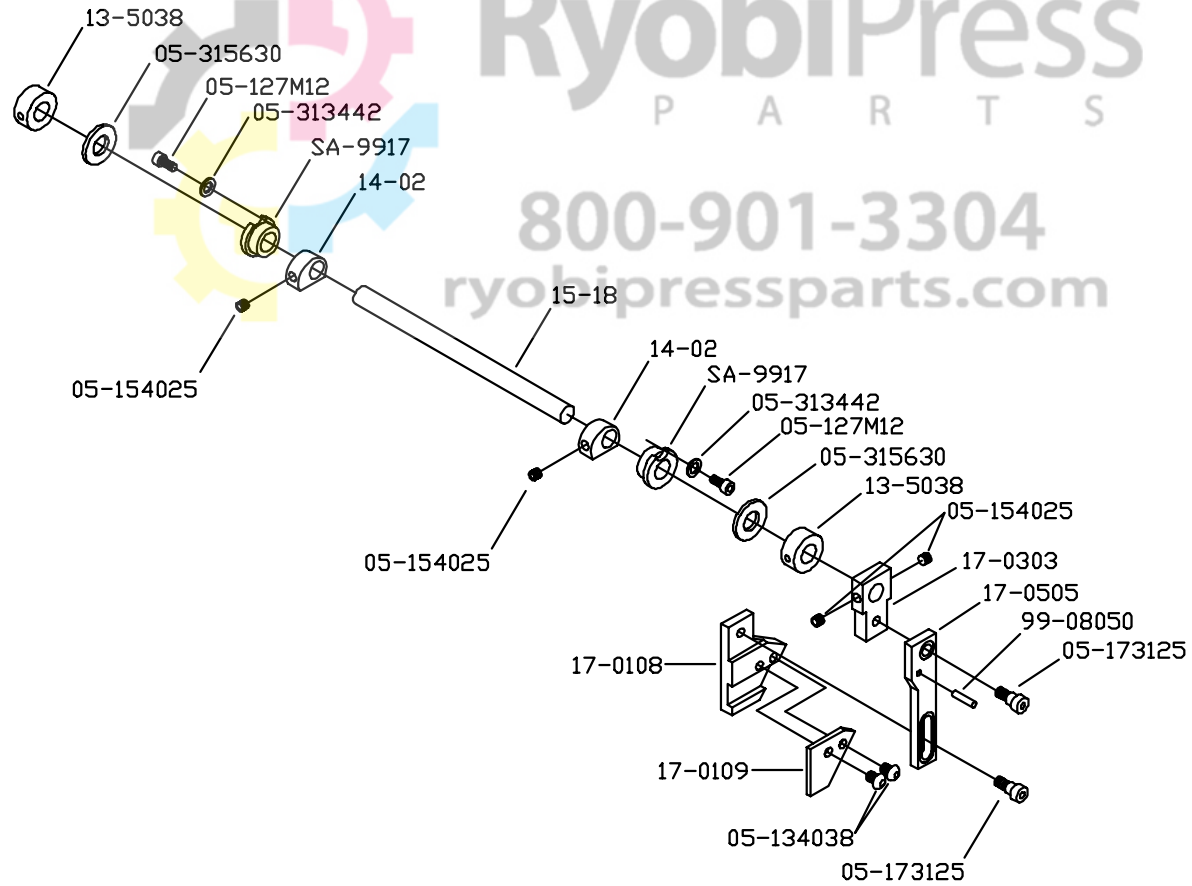
RYOBI 3302 IDLER GEARS

800-901-3304  
ryobipressparts.com

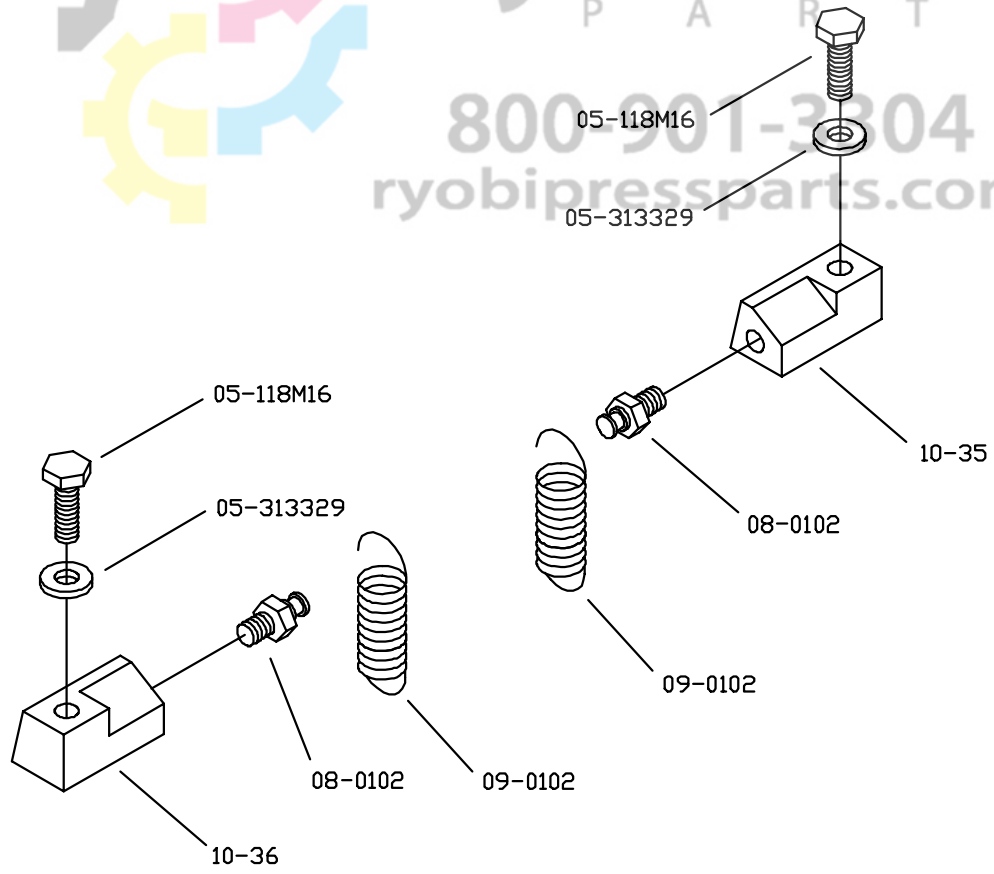
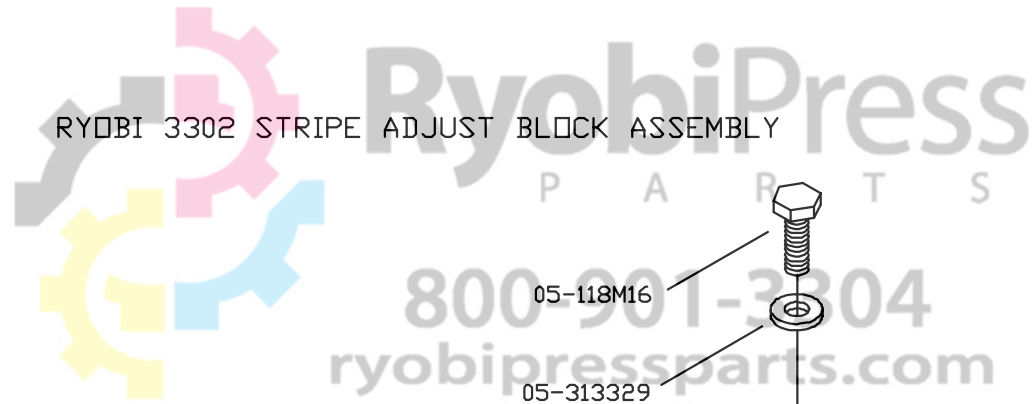


3302C08, 1-14-97

## RYOBI 3302 ACTIVATION ASSEMBLY

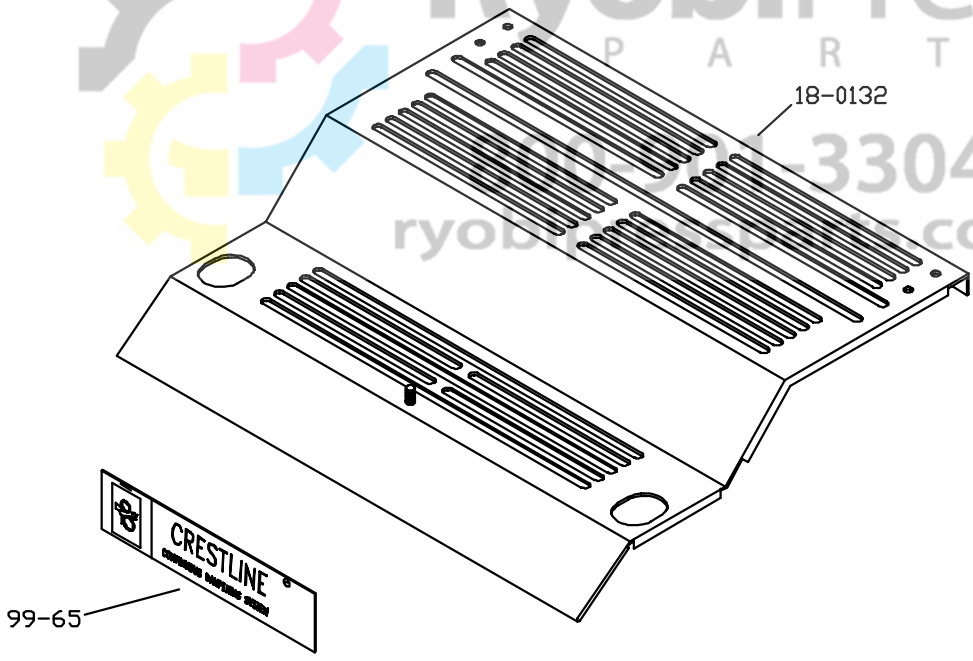


3302C09, 1-15-97

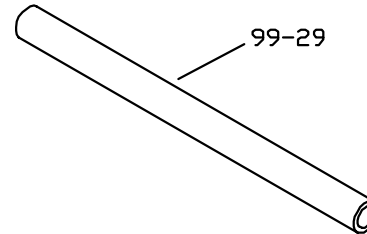
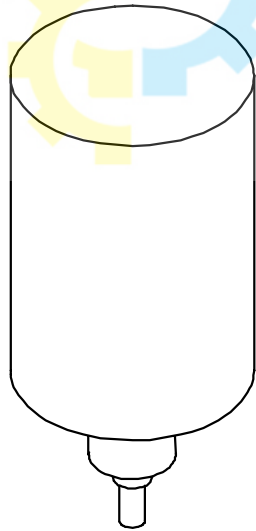


3302C10, 1-15-97

RY3320SC RyobiPress  
P A R T S  
3304  
ryobipress.com



RYOBI 3302 WATER BOTTLE/HOSE ASSEMBLY



3302C12, 1-16-97



**RyobiPress**  
P A R T S

800-901-3304  
ryobipressparts.com

**ACCEL** ®

*Graphic Systems*

11103 Indian Trail, Dallas, TX 75229 Phone 972-484-6808, Fax 800-365-6510  
E-Mail [accel@dallas.net](mailto:accel@dallas.net), Web Site [www.accelgraphicsystems.com](http://www.accelgraphicsystems.com)