

Crestline[®] Dampening System

Ryobi 3200 MCD, Itek 985



RyobiPress
P A R T S

800-901-3304
ryobipressparts.com

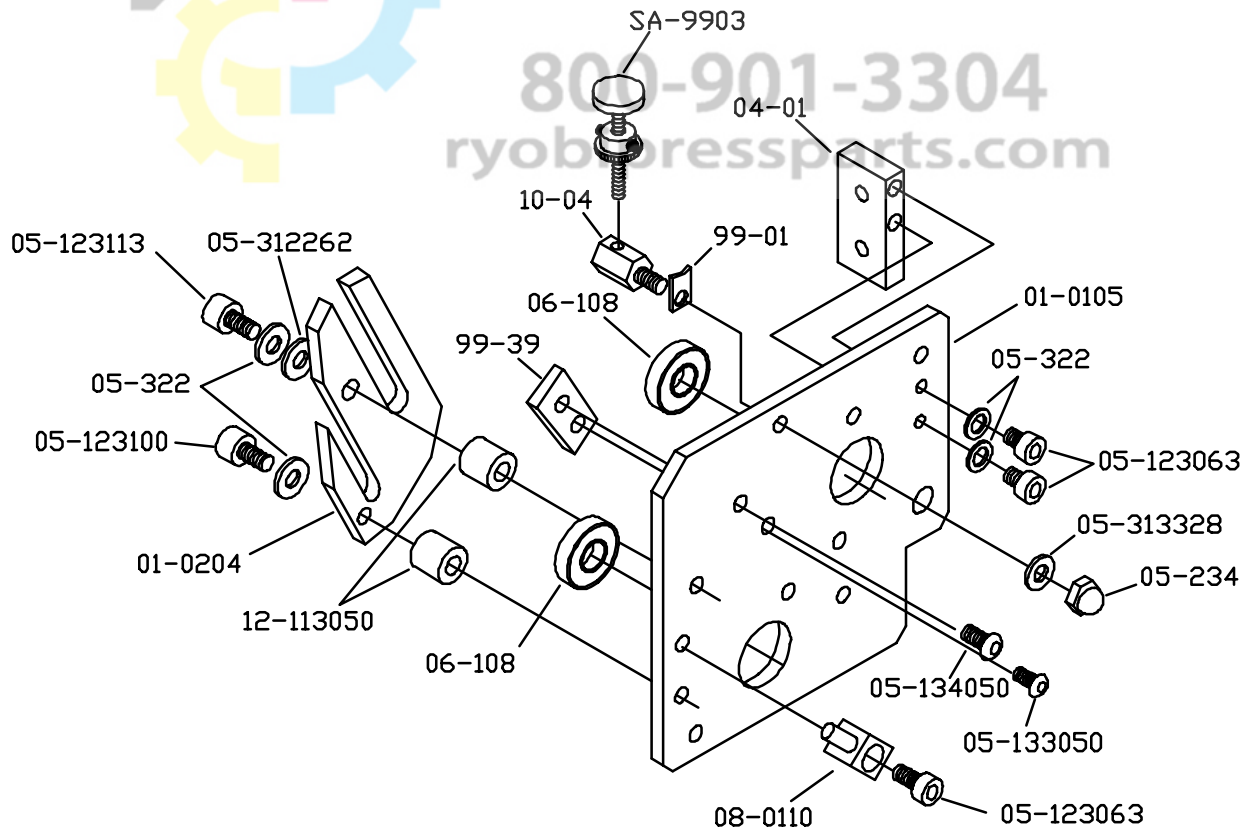
ACCEL  [®]
Graphic Systems

1

RY32M

RyobiPress
P A R T S

800-901-3304
ryobipressparts.com

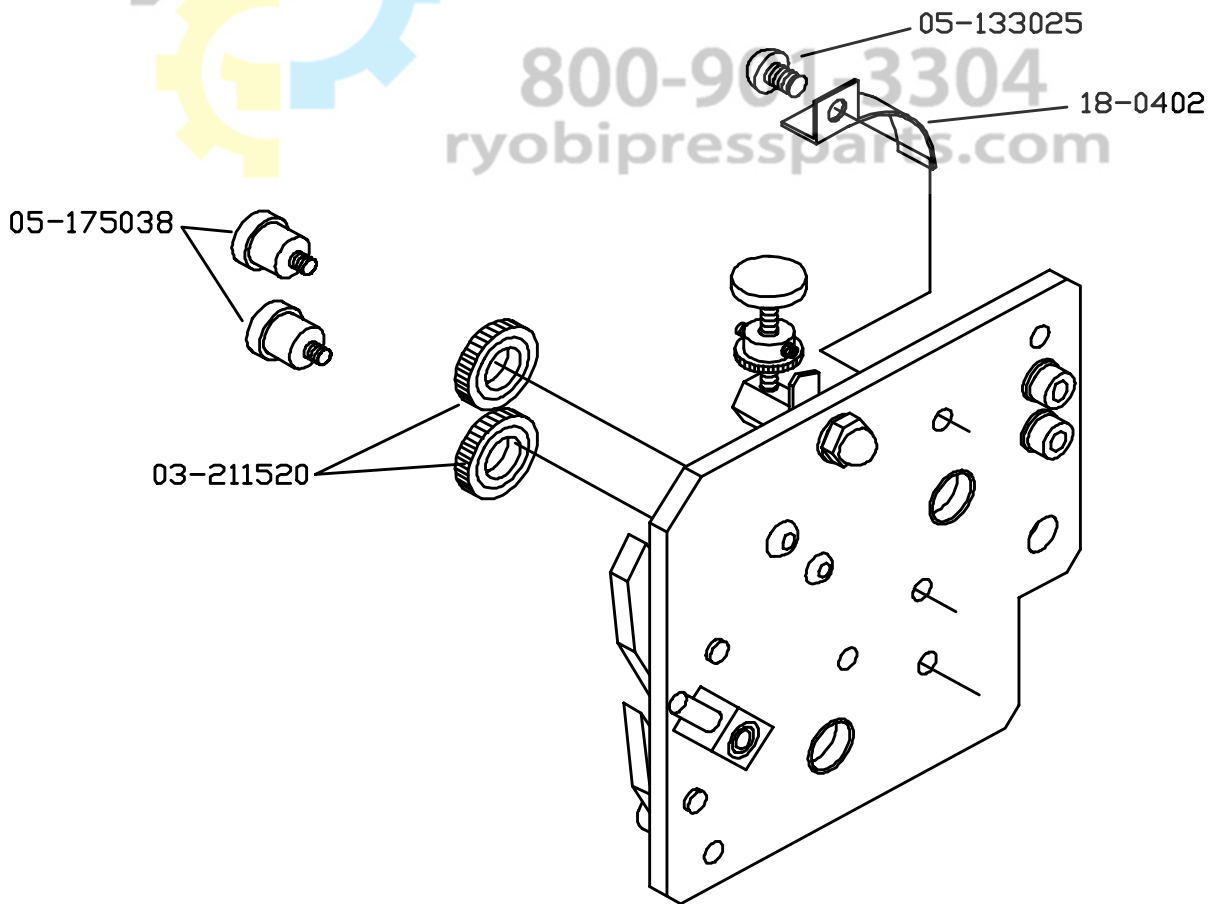


RY32M



RyobiPress
P A R T S

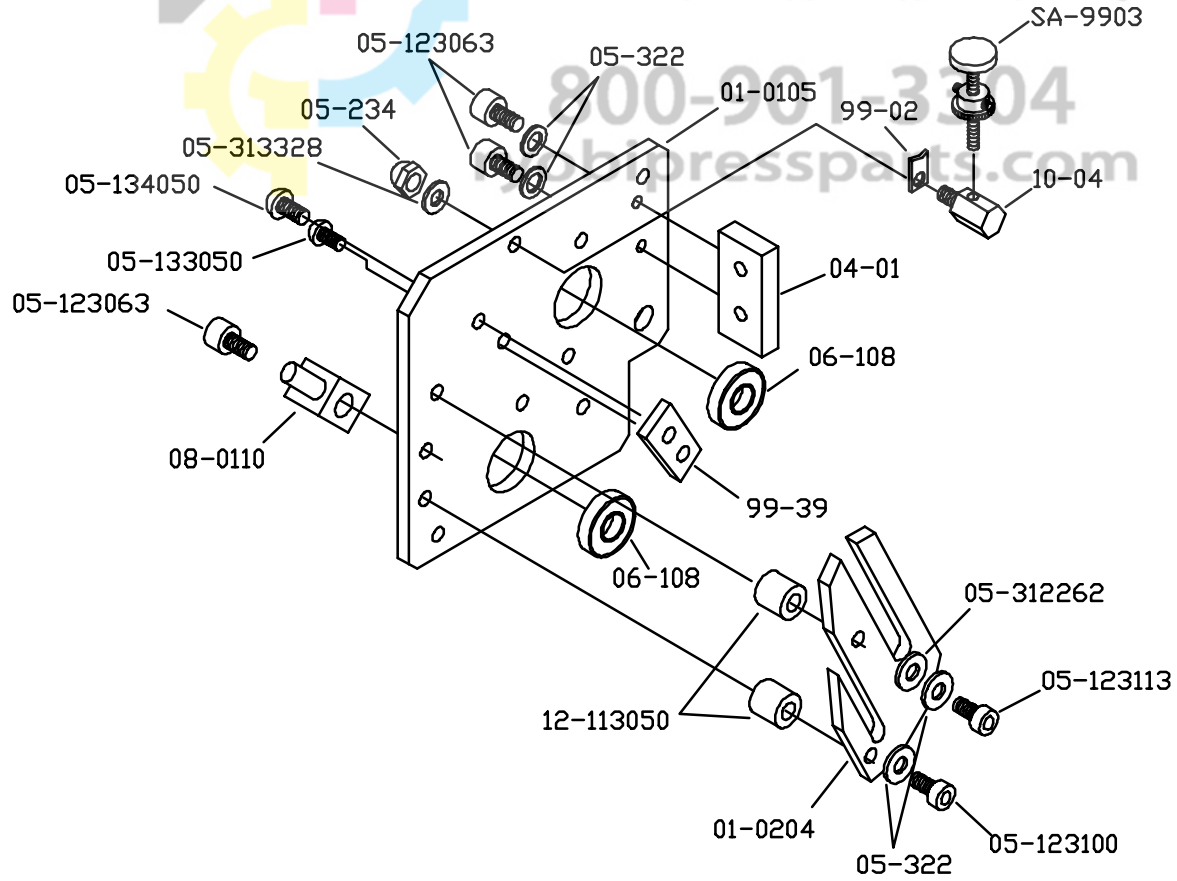
800-901-3304
ryobipressparts.com



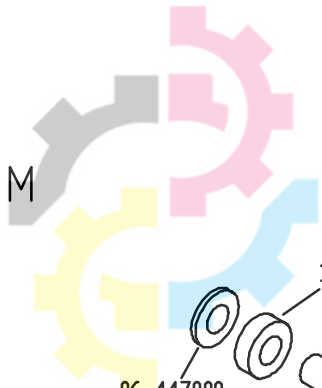
MCD02, 8-96

RY32M

RyobiPress
P A R T S



RY32M

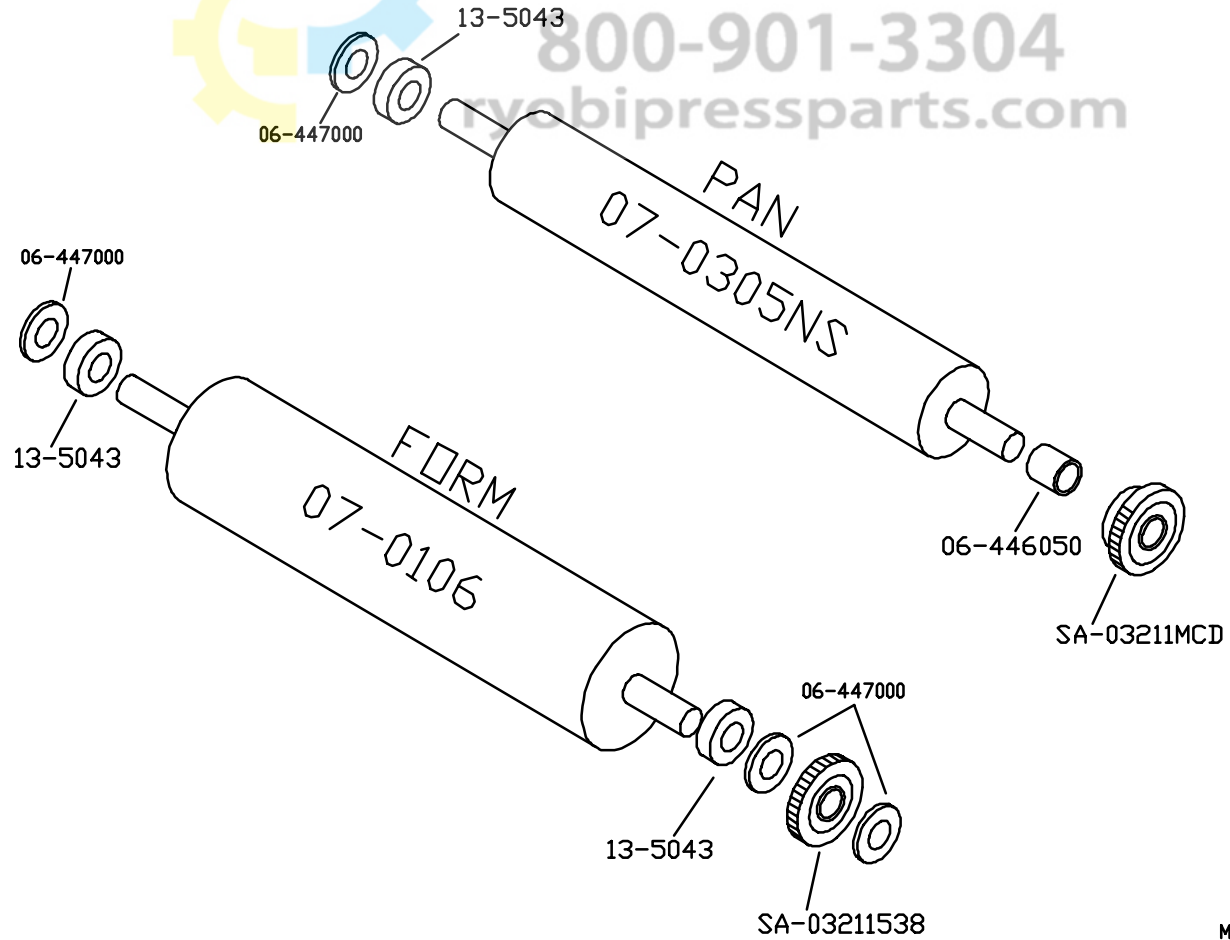


RyobiPress

P A R T S

800-901-3304

ryobipressparts.com



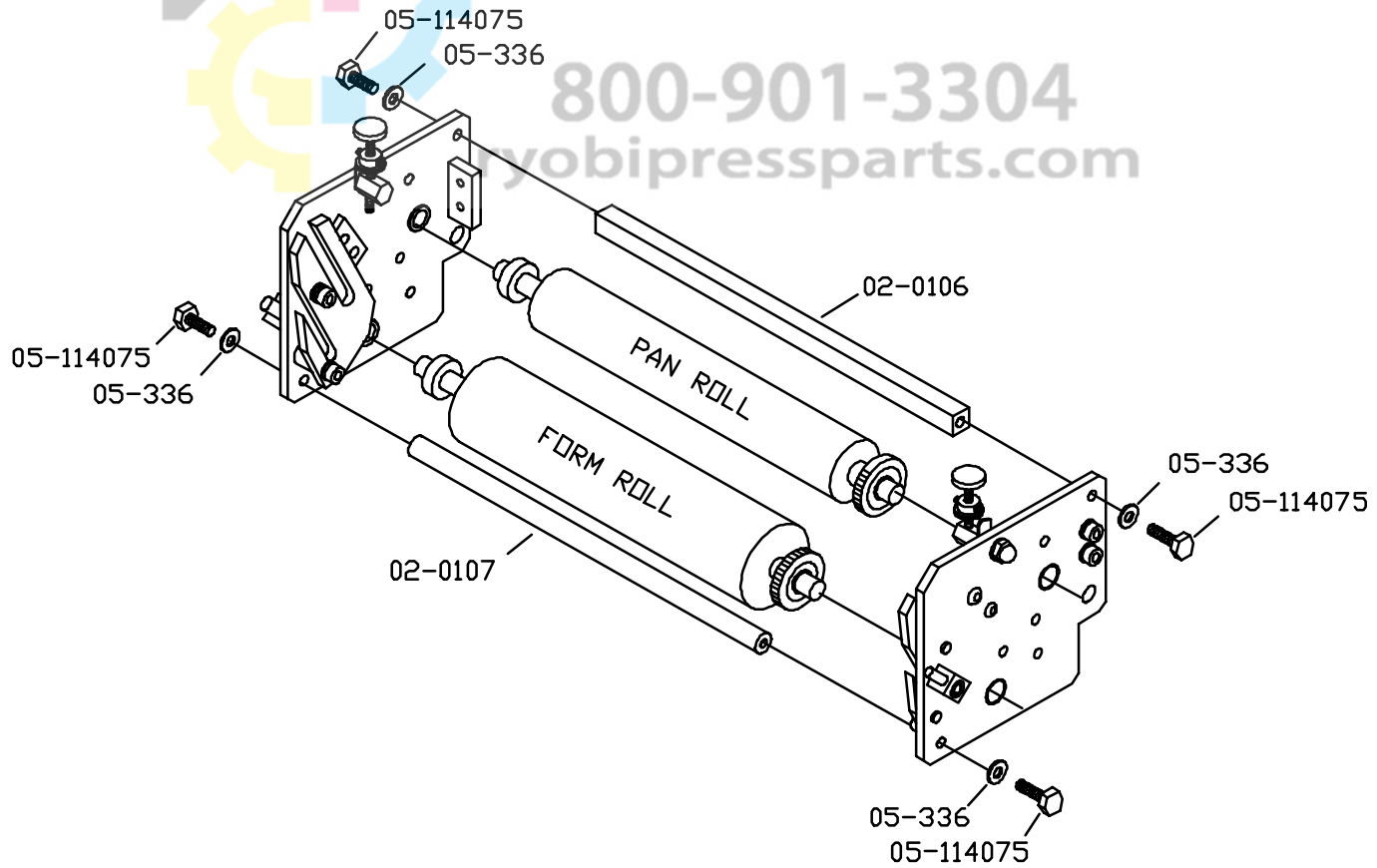
MCD04, 12-12-97

RY32M

RyobiPress
P A R T S

800-901-3304

ryobipressparts.com

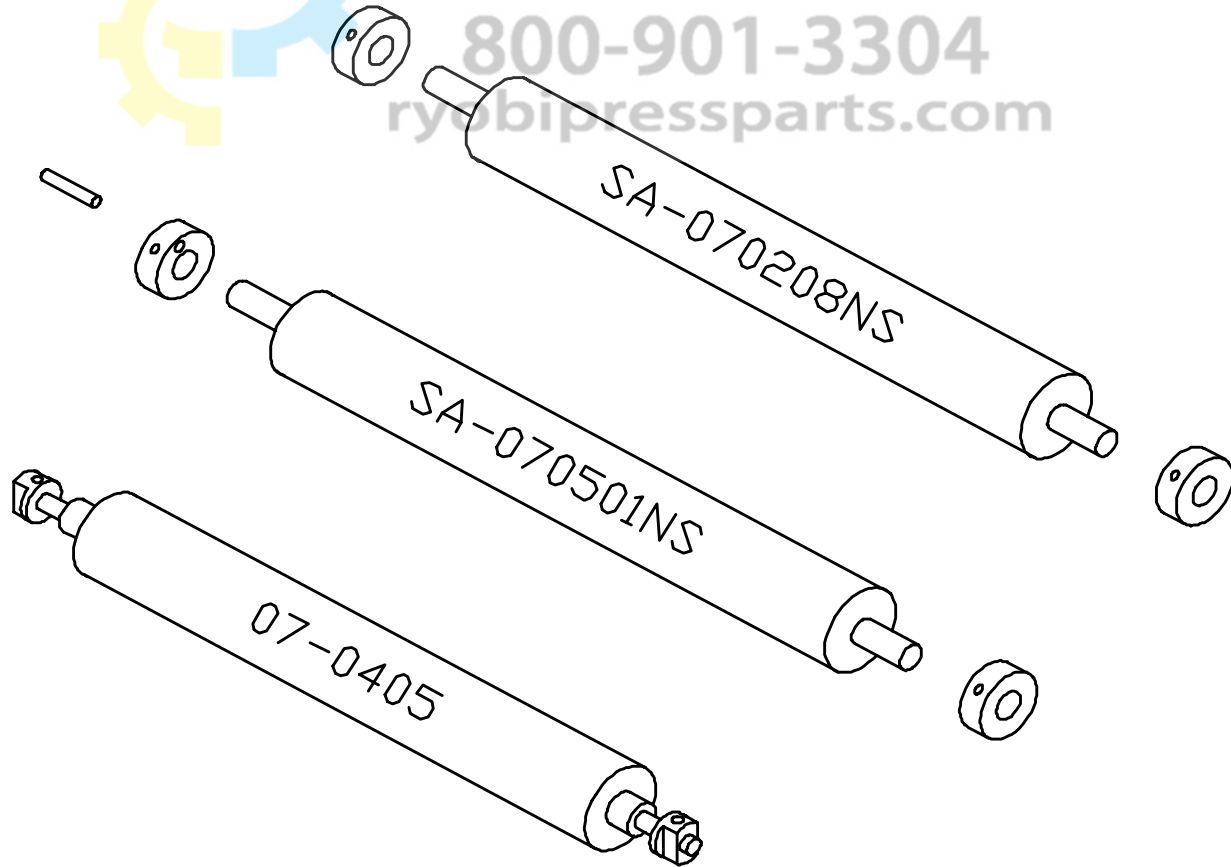


RY32M



RyobiPress
P A R T S

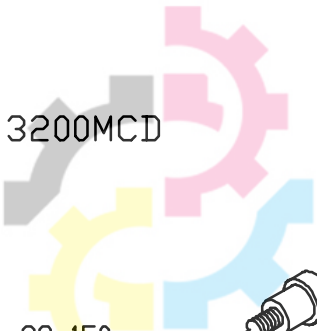
800-901-3304
ryobipressparts.com



MCD07, 8-96

7

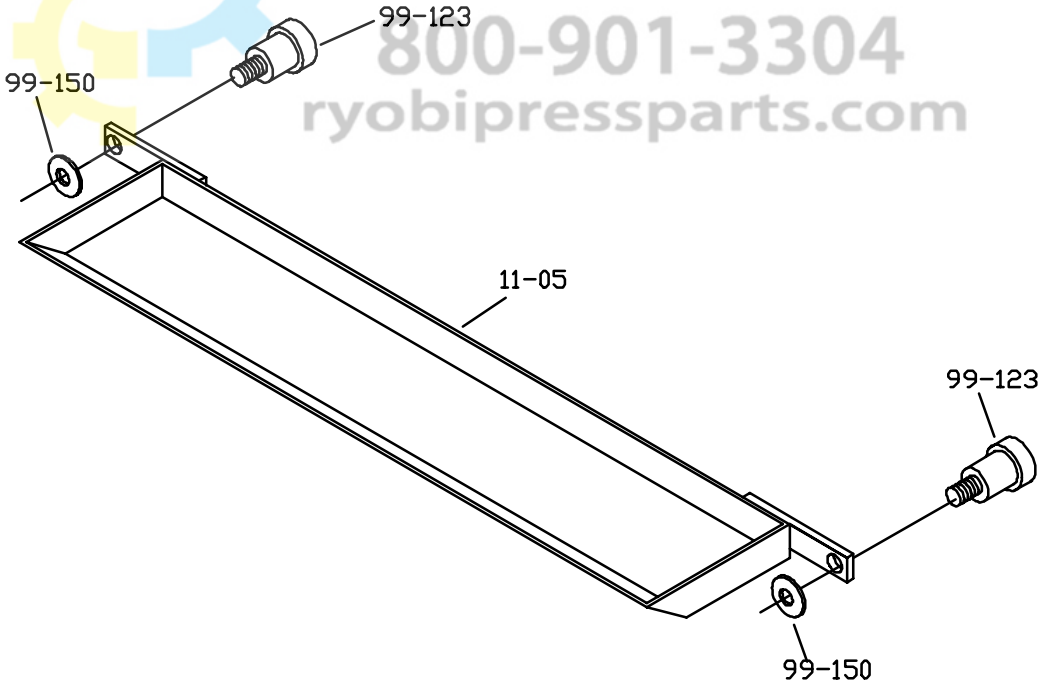
RYOBI 3200MCD



RyobiPress
P A R T S

800-901-3304

ryobipressparts.com



MCD09, 4-10-96



RyobiPress
P A R T S

05-174138

18-0121

800-800-8004

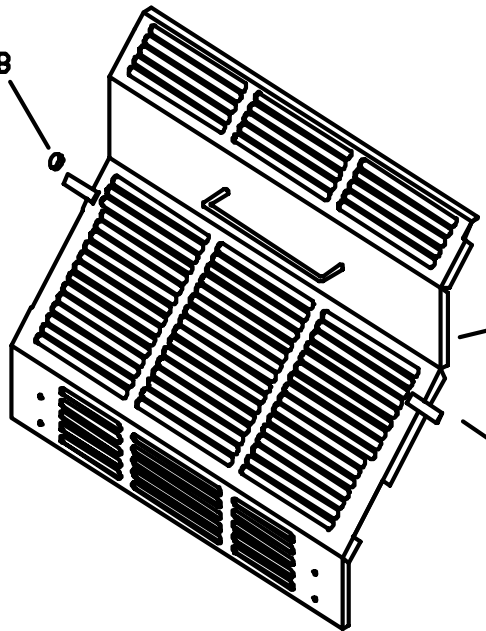
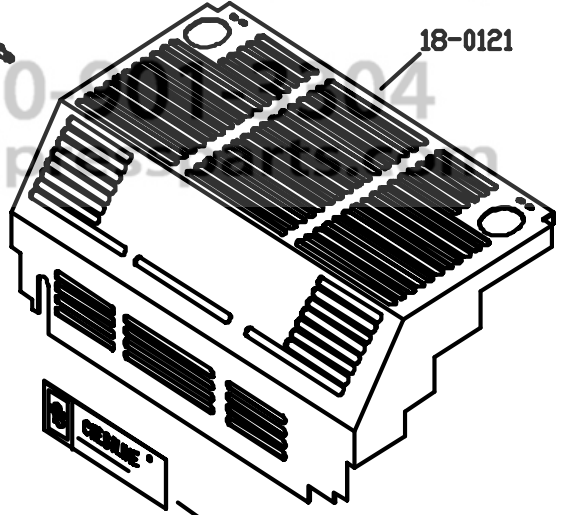
ryobipress.com

99-278

18-0207

99-65

99-278



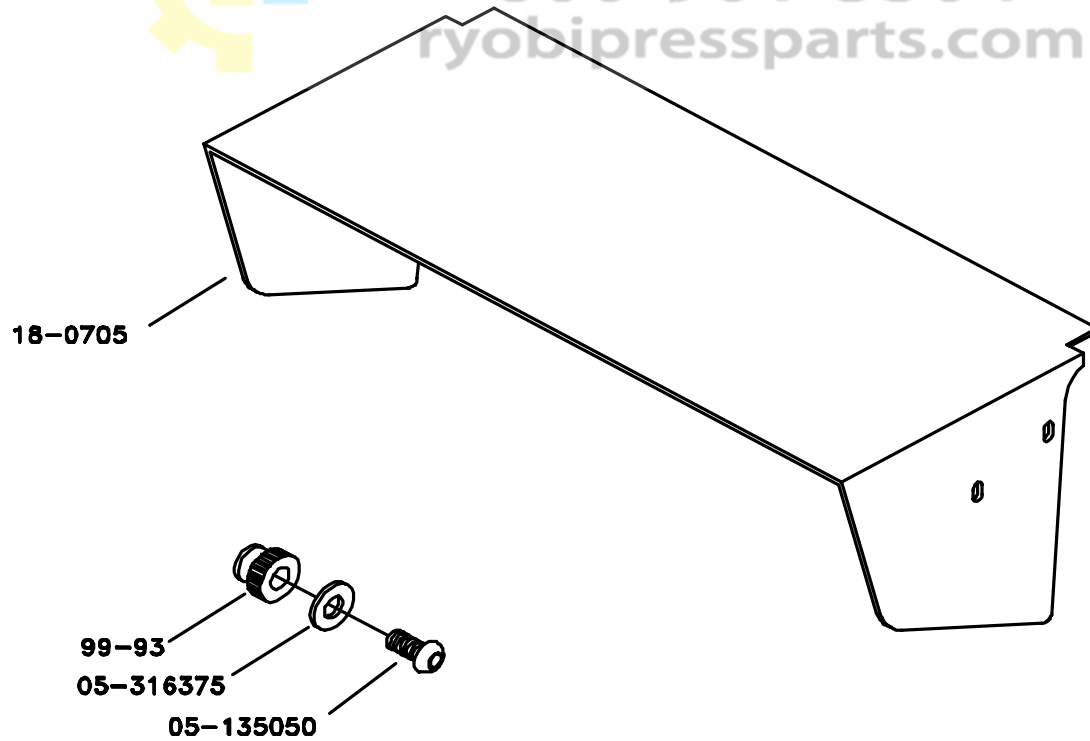
MCD10, 10-28-97



RyobiPress
P A R T S

SA-180705 T-HEAD PACKAGE, RYOBI 3200MCD

800-901-3304
ryobipressparts.com



MCD12, 4-10-98



RyobiPress
P A R T S

800-901-3304
ryobipressparts.com

ACCEL  [®]
Graphic Systems

11103 Indian Trail, Dallas, TX 75229 Phone 972-484-6808, Fax 800-365-6510
E-Mail accel@dallas.net, Web Site www.accelgraphicsystems.com