

Crestline[®] Dampening System

RYOBI 2800 / ITEK 960



RyobiPress
P A R T S

800-901-3304
ryobipressparts.com

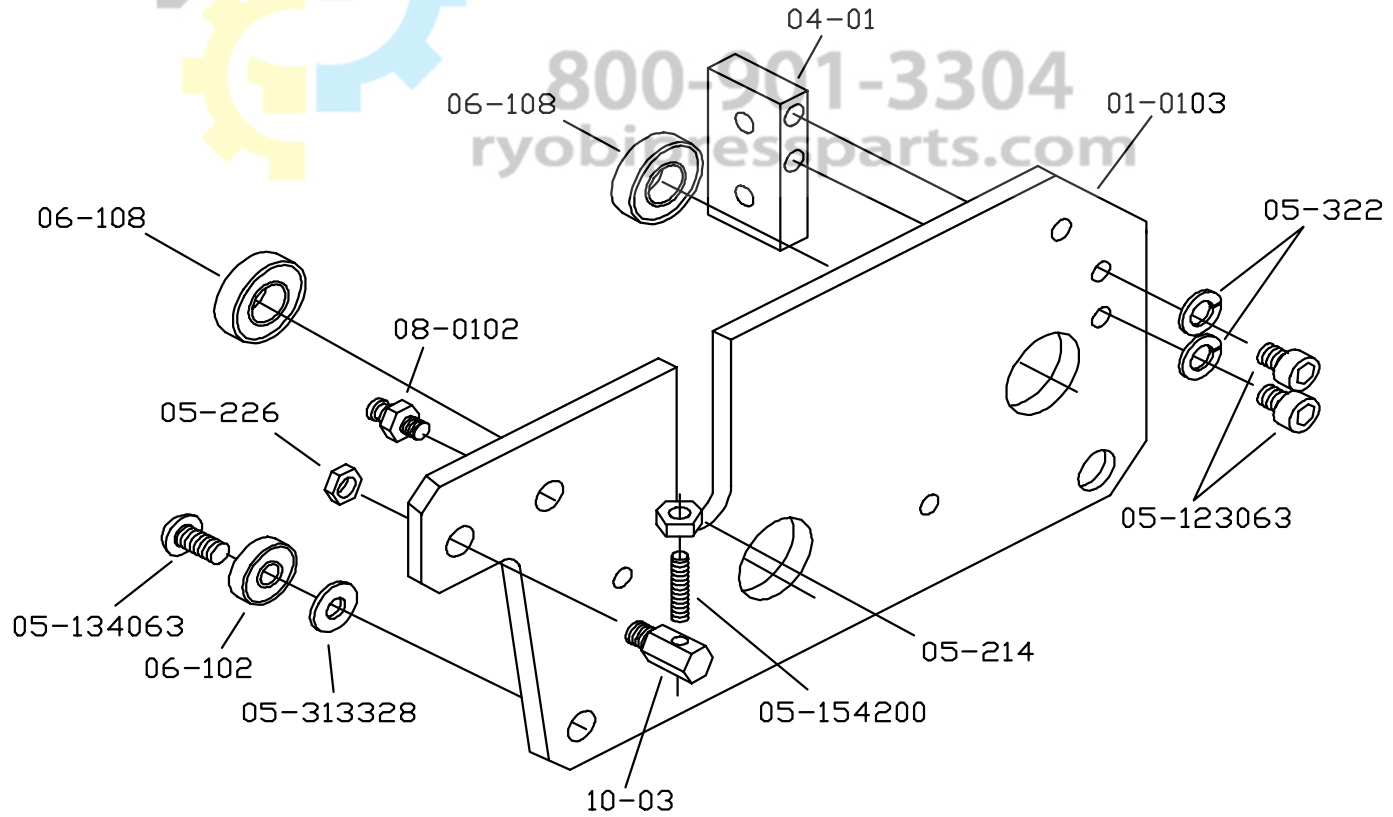
ACCEL  [®]
Graphic Systems

RY280

RyobiPress
P A R T S

800-901-3304

ryobipressparts.com

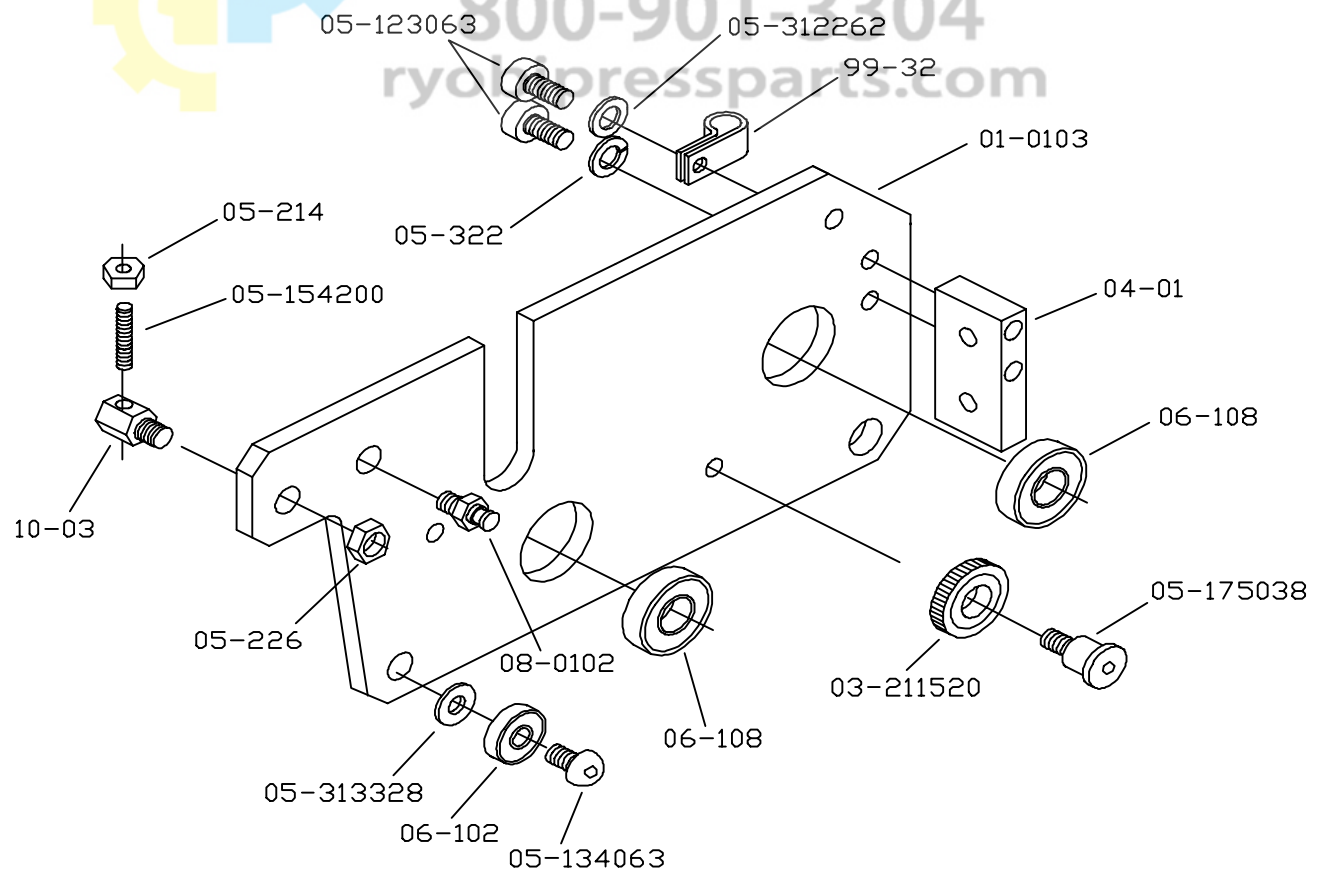


RY280



RyobiPress
P A R T S

800-901-3304
ryobipressparts.com



R281, 8-96

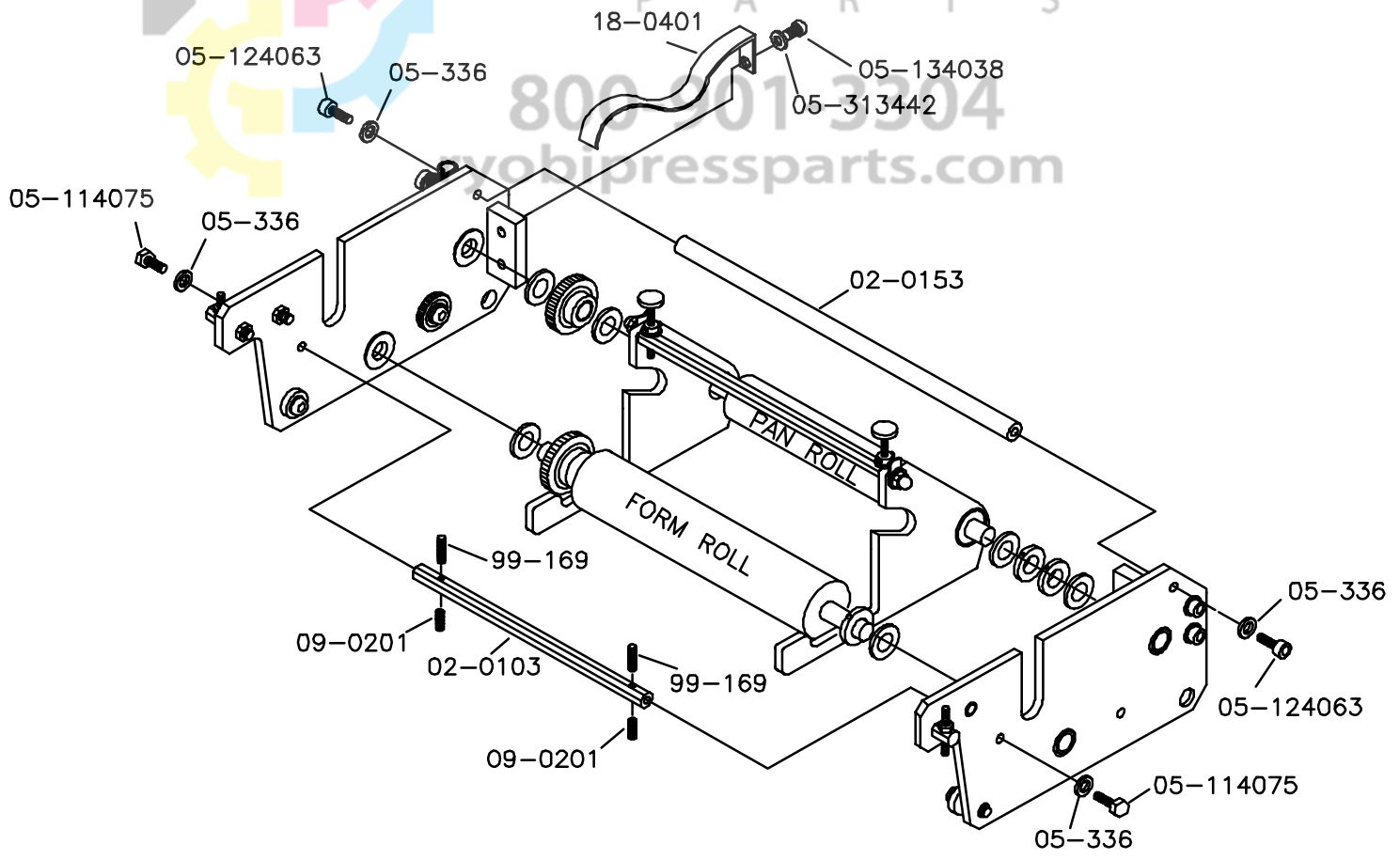
RY280

RyobiPress

PARTS

800-501-3304

ryobipressparts.com



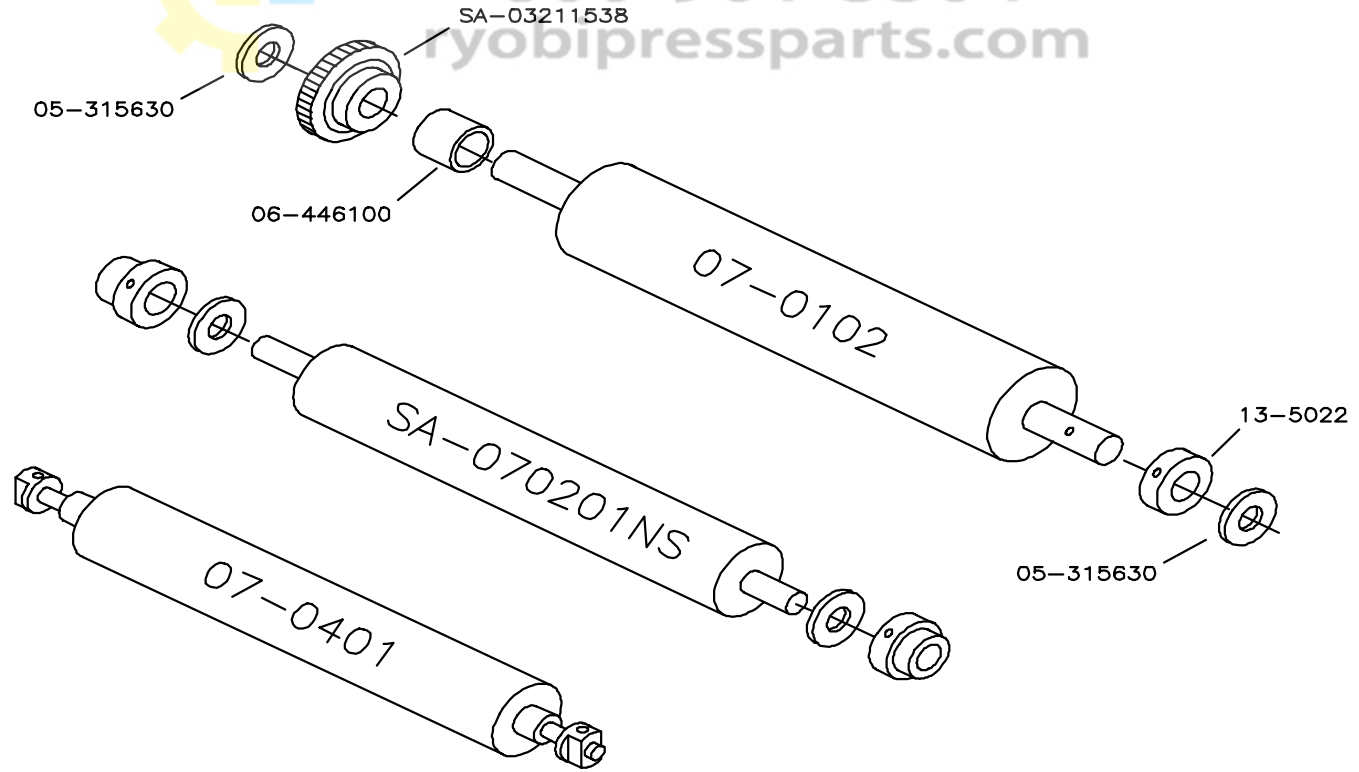
RY280



RyobiPress
P A R T S

800-901-3304

ryobipressparts.com



R284, 8-96

RY280

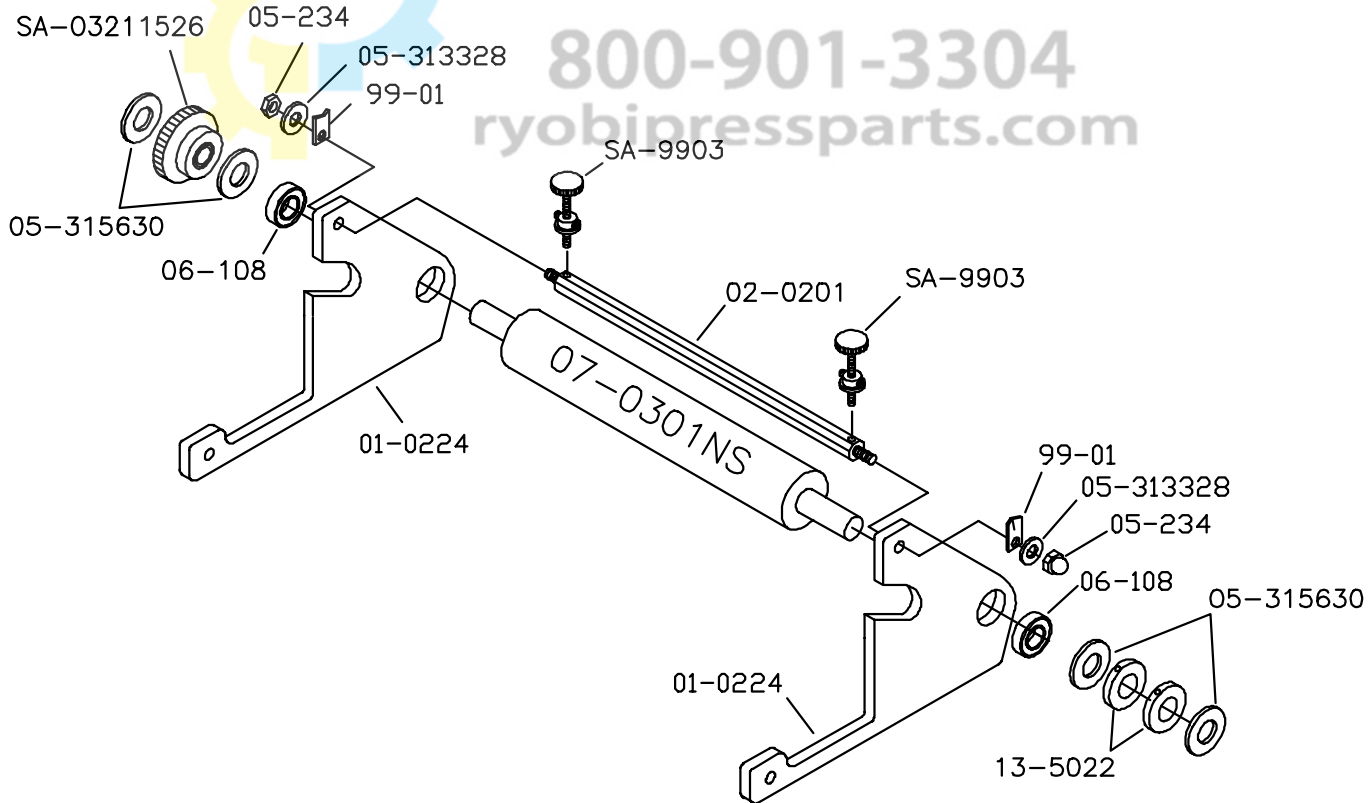


RyobiPress

P A R T S

800-901-3304

ryobipressparts.com



R283, 8-96

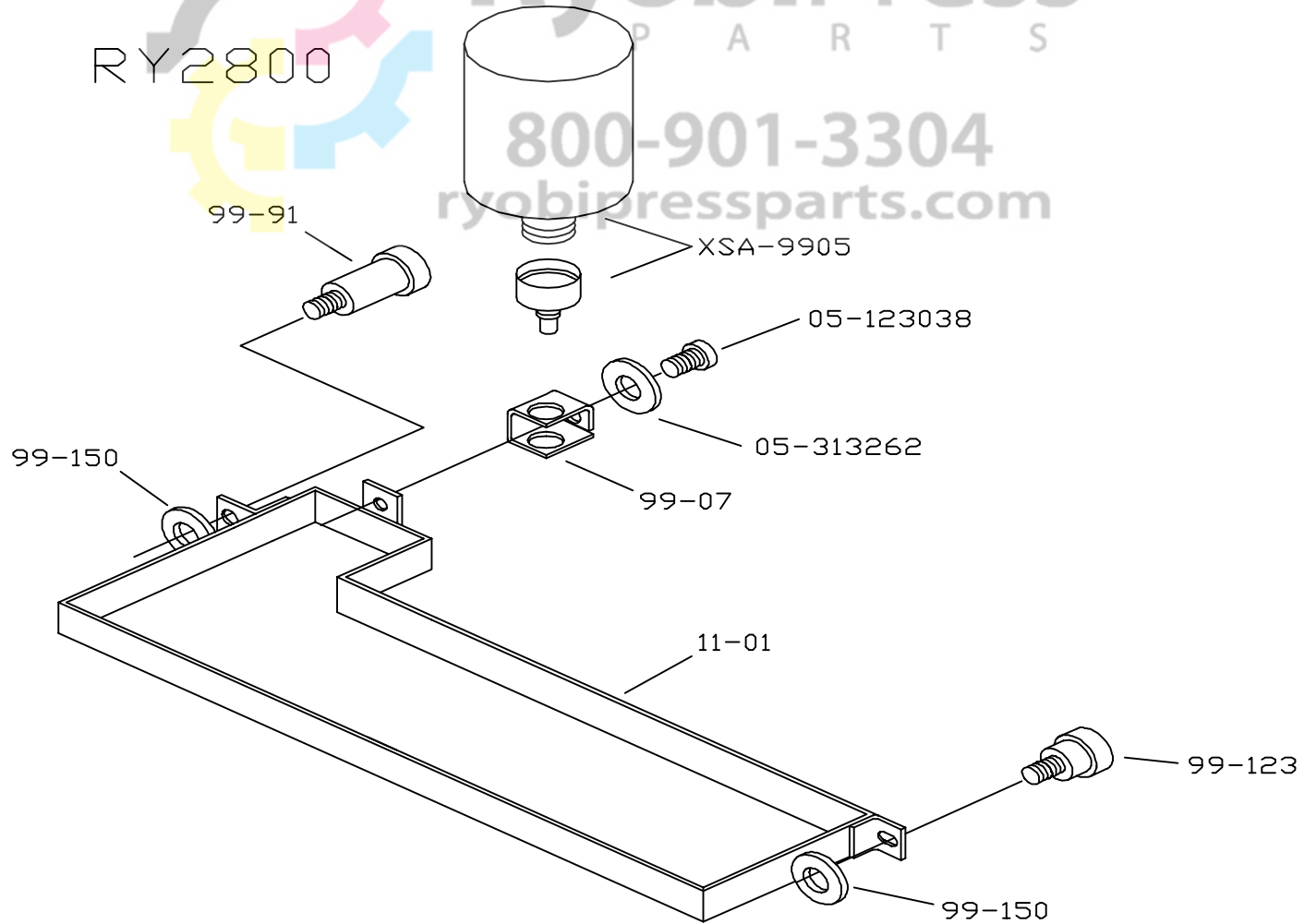
RY2800



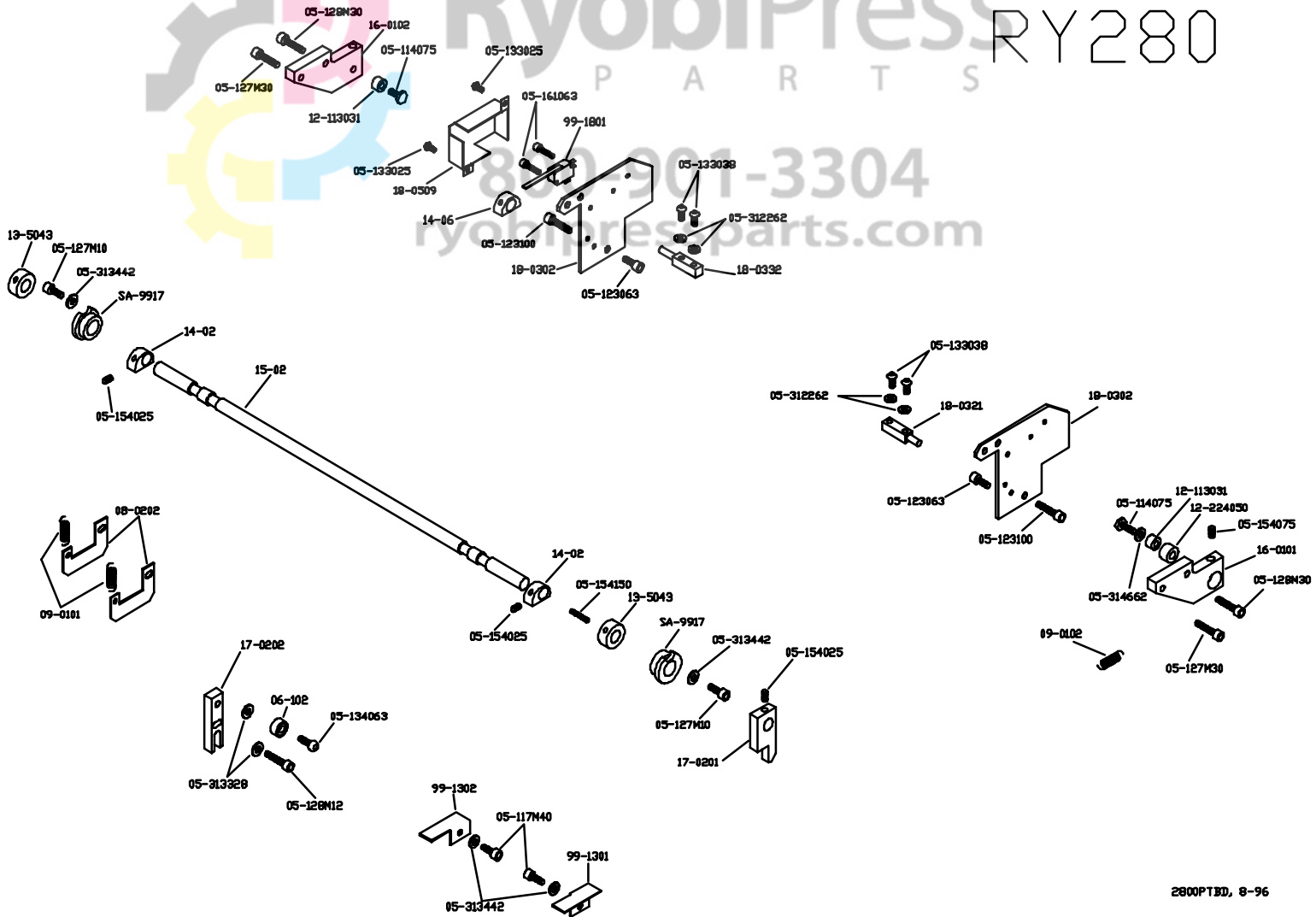
RyobiPress
P A R T S

800-901-3304

ryobipressparts.com



R287 12-92



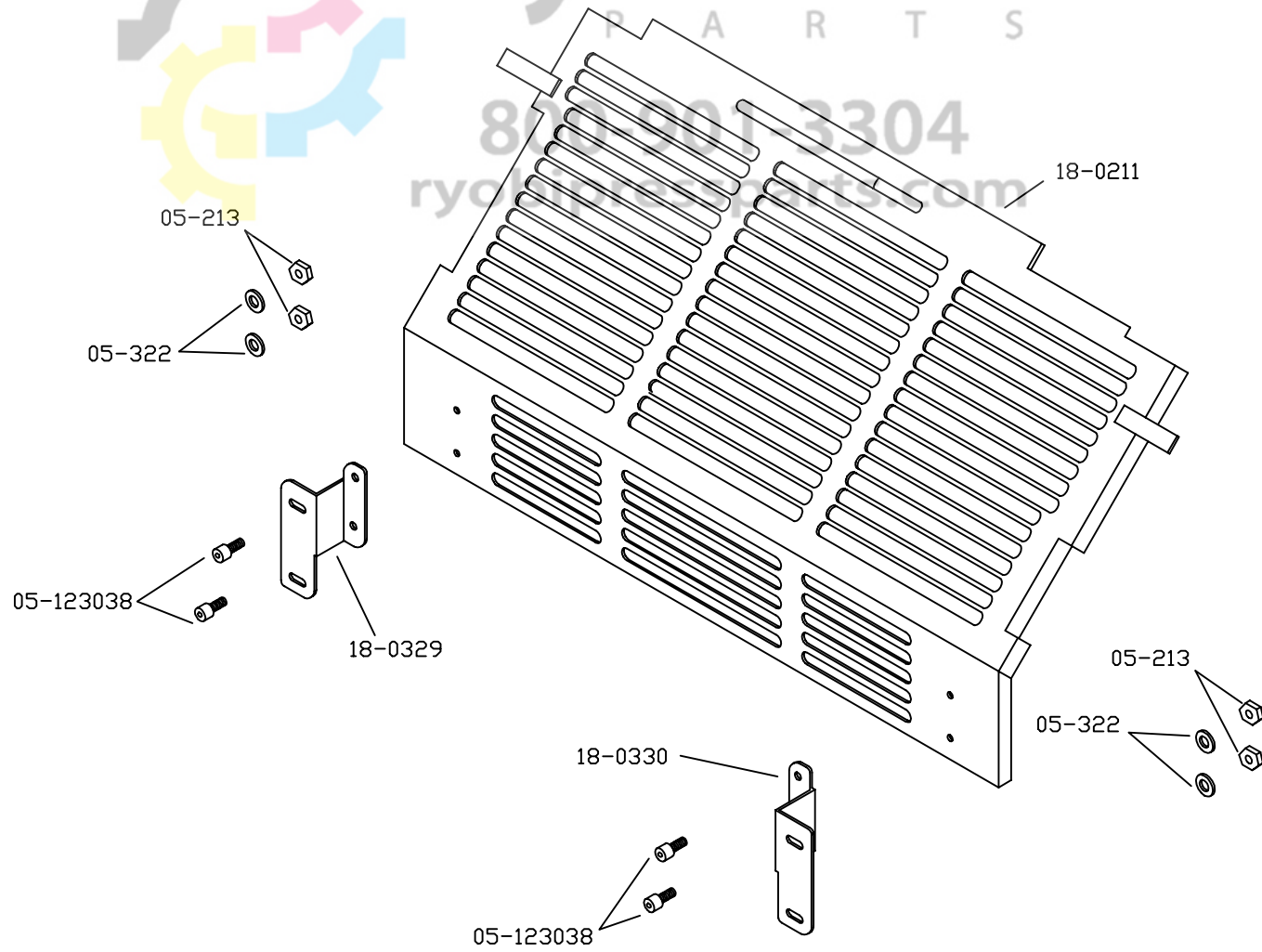
RYOBI 2800



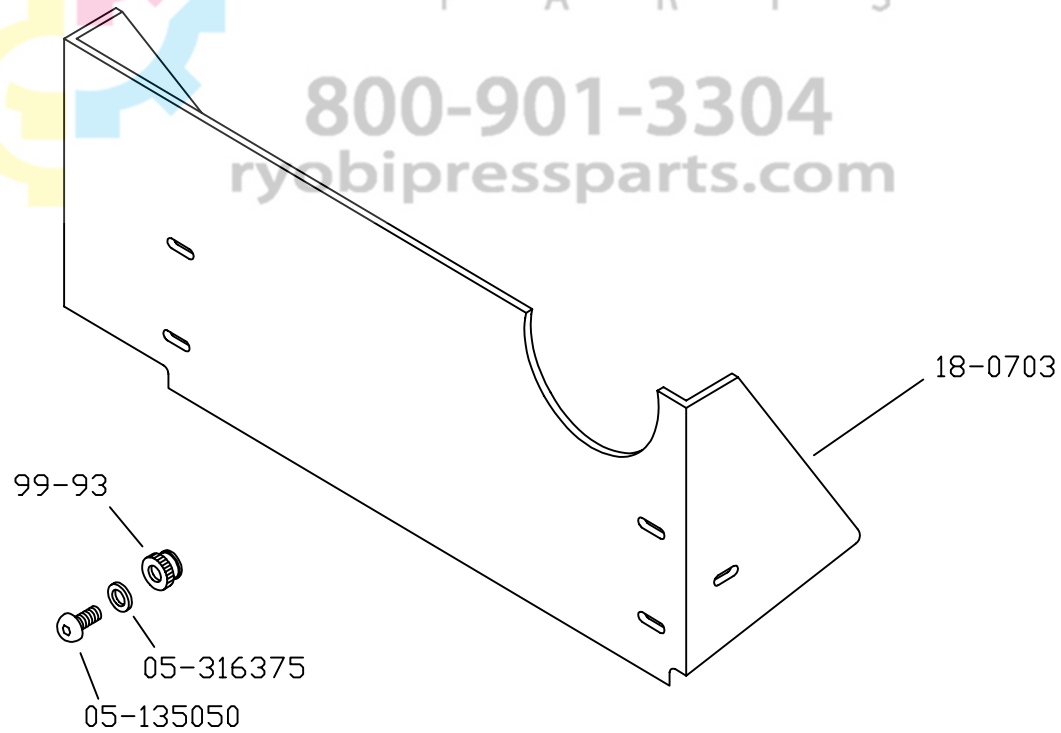
RyobiPress

P A R T S

800-901-3304
ryobipressparts.com



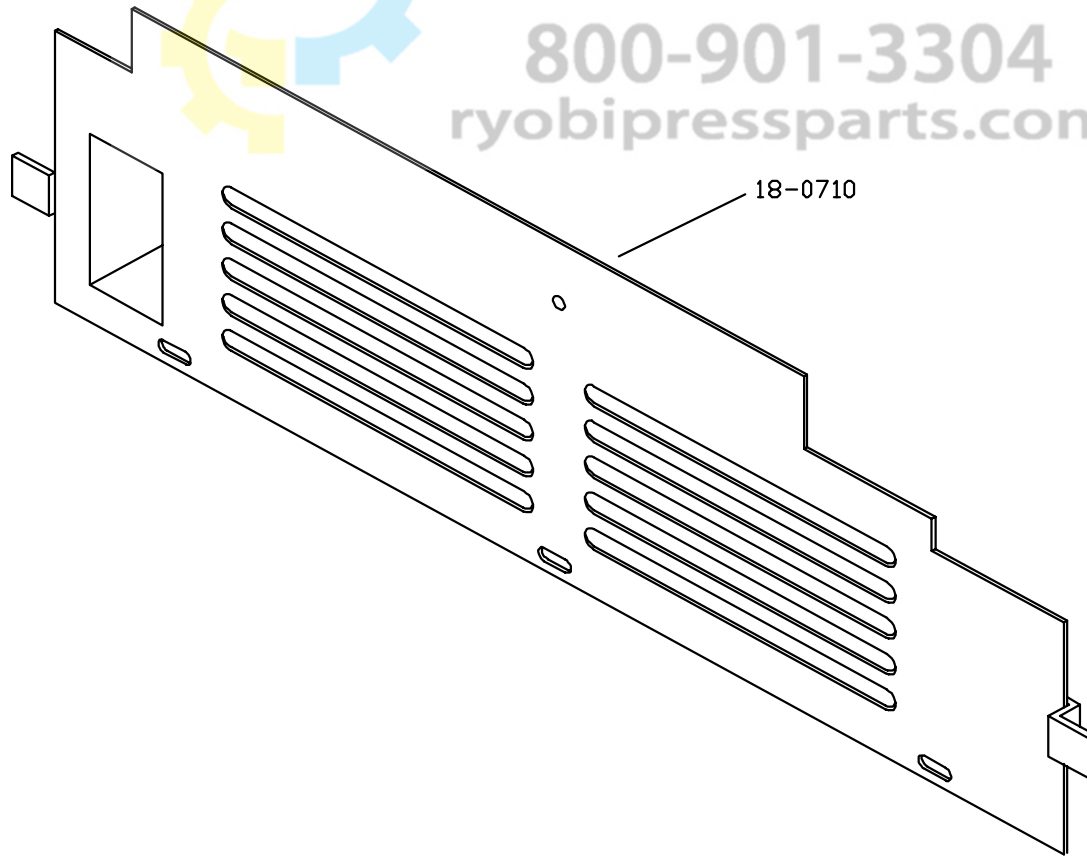
SA-180703 T-HEAD PACKAGE, RYOBI 2800



RY2800 SUPER -T GUARD

RyobiPress
P A R T S

800-901-3304
ryobipressparts.com



R2814 5-29-96



RyobiPress
P A R T S

800-901-3304
ryobipressparts.com

ACCEL ®

Graphic Systems

11103 Indian Trail, Dallas, TX 75229 Phone 972-484-6808, Fax 800-365-6510
E-Mail accel@dallas.net, Web Site www.accelgraphicsystems.com