



# 2024 TECHNICAL SPECIFICATION

**VELUX®** CUSTOM  
BASE FLASHINGS



**DATE :**  
1 January 2024

**PROPOSED BY :**  
The Skylight Warehouse

---

# FLAT ROOF BASE FLASHING (FCM, VCM, VSS)

## TECHNICAL SPECIFICATION

---



<b>CODE</b>	Flat Roof Base Flashing
<b>DESCRIPTION</b>	(Pre-Fabricated) <b>Flat roof base flashing to suit VELUX FCM, VCM &amp; VCS</b> to suit corrugated, trim deck and klip lock roof profiles between 0-60 degrees.

---

### TECHNICAL DATA

### MATERIALS

- Colorbond . 55bmt sheet metal
- Zincalume . 55 bmt sheet metal
- 70x35 timber reveal fixed to base flashing
- Polyurethane sealed joints & pop riveted

### STANDARD DIMENSIONS

#### Corrugated

- Front: Upstand 65mm, width 170mm, 10mm feather.
- Sides: Upstand 65mm, width 170mm, 10mm feather.
- Back (soaker detail): Upstand 65mm, width 200mm, 20mm hook fold.
- Back (Back tray detail): Upstand 65mm, width 200mm.

#### Trim Deck

- Front: Upstand 65mm, width 200mm, 25mm 90 degree fold down.
- Sides: Upstand 65mm, width 200mm, 25mm 90 degree fold down.
- Back (back tray detail): Upstand 65mm, width 200mm

#### Klip Lock

- Front: Upstand 65mm, width 200mm, 40mm 90 degree fold down
- Sides: Upstand 65mm, width 200mm, 40mm 90 degree fold down
- Back (Back tray detail): Upstand 65mm, width 200mm

### CUSTOM DIMENSIONS

All Skylight bases can be custom made to suit specific dimensions.

---

### PRODUCT WARRANTY

1 year from date of purchase subject to correct installation, use and maintenance in accordance with manufacturer's specifications and recommendations.

---

### IMPORTANT NOTE

To install our products, installers must hold a valid industry roof plumbing licence.

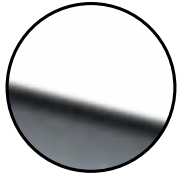
# FLAT ROOF BASE FLASHING

## FLASHING DETAILS

*Pre - Assembled*

### REAR PIECE

OPTIONAL SOAKER OR  
BACK TRAY DETAIL



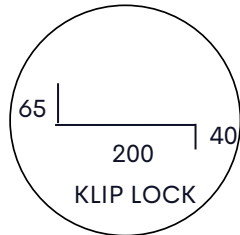
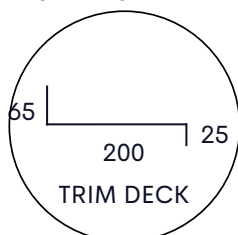
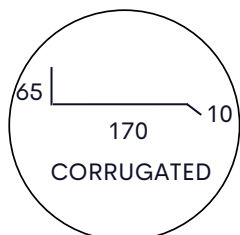
### TREATED PINE

### INNER FRAME

[70mmx35mm]



### FRONT, LEFT, RIGHT DETAIL

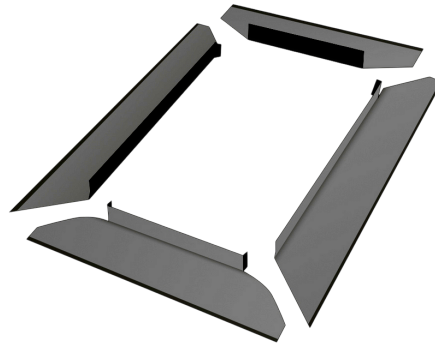


---

# FLAT ROOF BASE FLASHING | FLAT PACK

## FLASHING DETAILS

---



### CODE

Flat Roof Base Flashing - FLAT PACK

### DESCRIPTION

(Pre-Fabricated) **Flat roof base flashing to suit VELUX FCM, VCM & VCS** for corrugated, trim deck and klip lock roof profiles between 0-60 degrees.

---

### TECHNICAL DATA

Flat Pack flashing kits are required to be assembled by the end user. The kit includes four pieces, front, sides x2 and back. For FCM, VCM, VCS timber reveal is also included.

#### MATERIALS

- Colorbond . 55bmt sheet metal
- Zincalume . 55 bmt sheet metal
- 70x35 timber reveal fixed to base flashing

#### STANDARD DIMENSIONS

#### Corrugated

- Front: Upstand 65mm, width 170mm, 10mm feather
- Sides: Upstand 65mm, width 170mm, 10mm feather
- Back (soaker detail): Upstand 65mm, width 200mm, 20mm hook fold
- Back (Back tray detail): Upstand 65mm, width 200mm

#### Trim Deck

- Front: Upstand 65mm, width 200mm, 25mm 90 degree fold down
- Sides: Upstand 65mm, width 200mm, 25mm 90 degree fold down
- Back (Back tray detail): Upstand 65mm, width 200mm

#### Klip Lock

- Front: Upstand 65mm, width 200mm, 40mm 90 degree fold down
- Sides: Upstand 65mm, width 200mm, 40mm 90 degree fold down
- Back (Back tray detail): Upstand 65mm, width 200mm

#### CUSTOM DIMENSIONS

All Skylight bases can be custom made to suit specific dimensions.

---

### PRODUCT WARRANTY

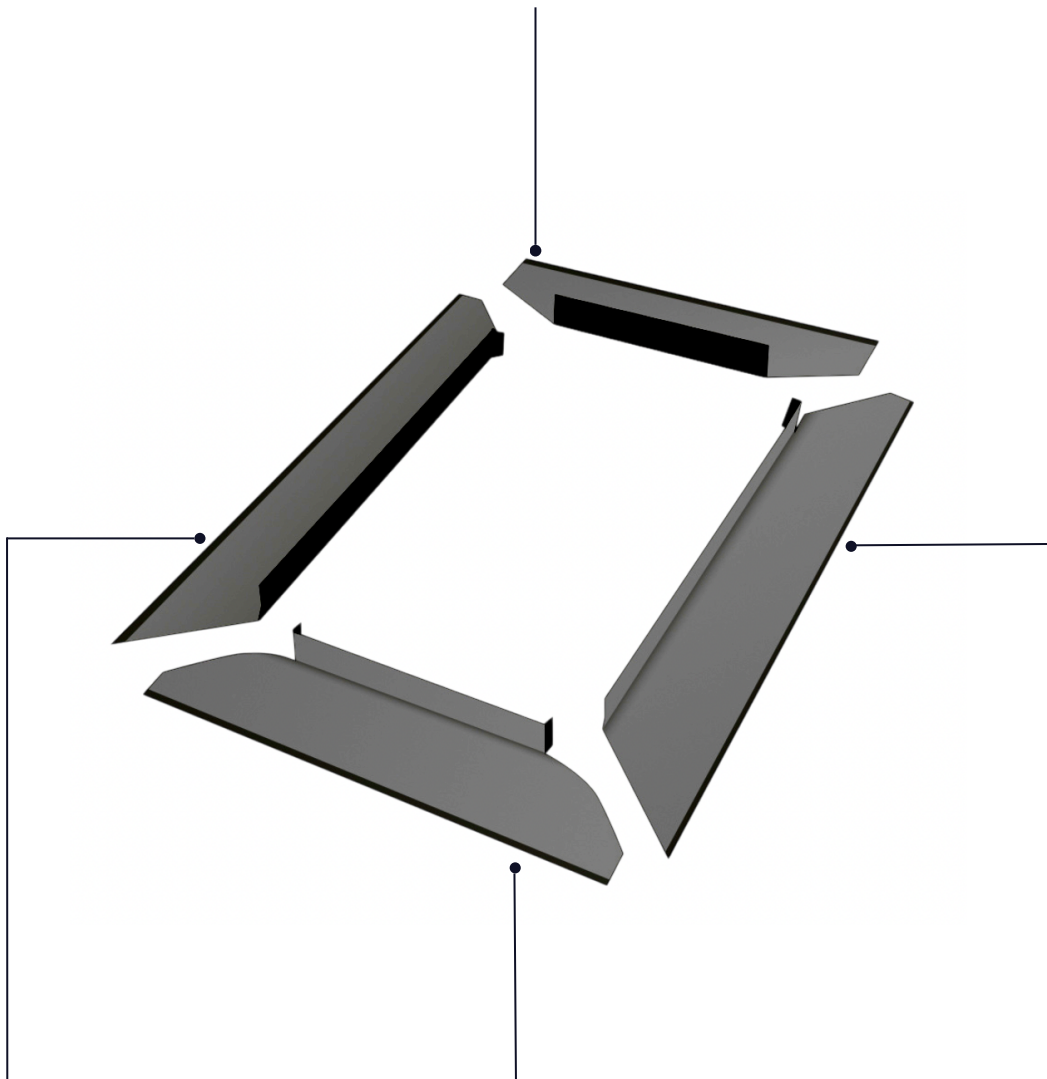
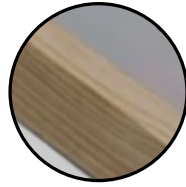
2 year from date of purchase subject to correct installation, use and maintenance in accordance with manufacturer's specifications and recommendations.

# FLAT ROOF BASE FLASHING

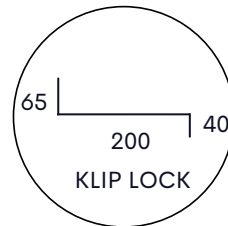
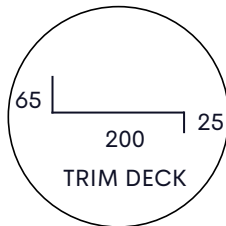
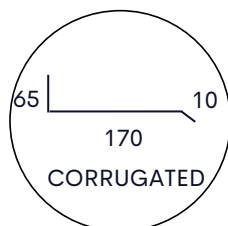
## FLASHING DETAILS

*Flat Pack*

**TREATED PINE  
INNER FRAME**  
[70mmx35mm]



**FRONT, LEFT, RIGHT DETAIL**



---

# FCM TILE ROOF BASE FLASHING

## TECHNICAL SPECIFICATION

---



### CODE

Flat Roof Base Flashing (TILE ROOF)

### DESCRIPTION

(Pre-Fabricated) **Flat roof base flashing to suit VELUX FCM, VCM & VCS** to for tile roof coverings.

---

### TECHNICAL DATA

#### MATERIALS

- Colorbond . 55bmt sheet metal
- Zincalume . 55 bmt sheet metal
- 70x35 timber reveal fixed to base flashing
- Polyurethane sealed joints & pop riveted
- Fast flash seal adhesive dressed flashing

#### STANDARD DIMENSIONS

- Front; Upstand 65mm, width 100mm C'bond, 280mm fast flash
- Sides; Upstand 65mm, width 225mm, 20mm hook fold
- Back (soaker detail): Upstand 65mm, width 225mm, 20mm hook fold
- Back (Back tray detail): Upstand 65mm, width 225mm, 20mm hook fold

#### Tile Roof

#### CUSTOM DIMENSIONS

All Skylight bases can be custom made to suit specific dimensions.

---

### PRODUCT WARRANTY

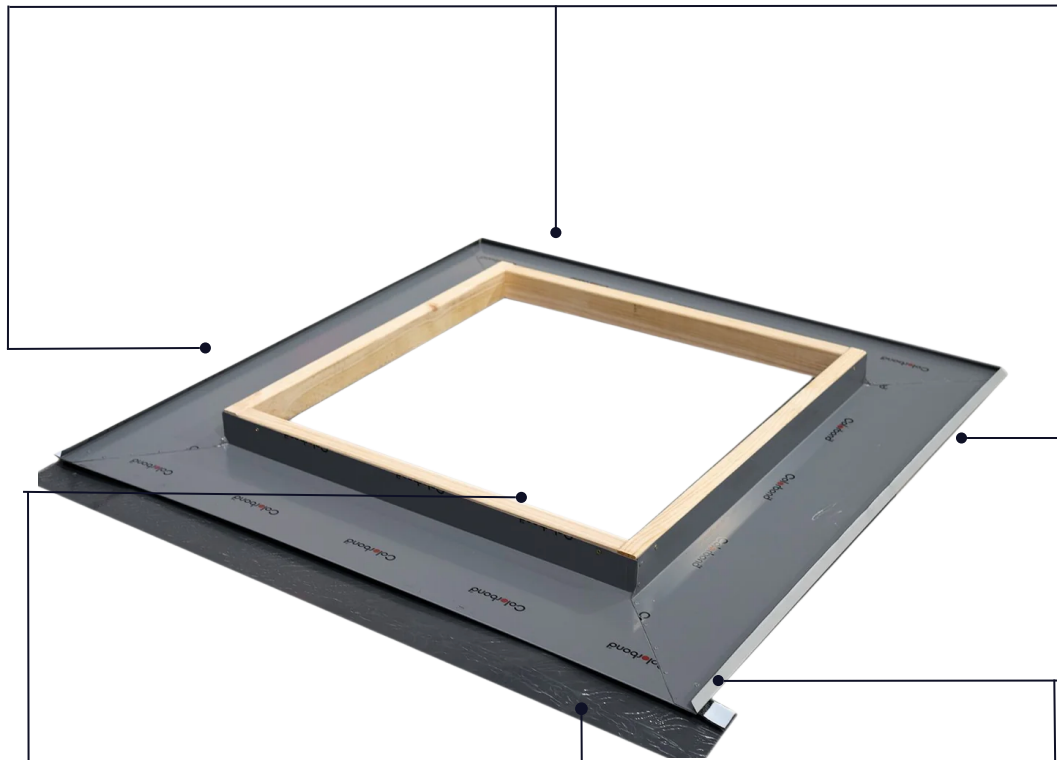
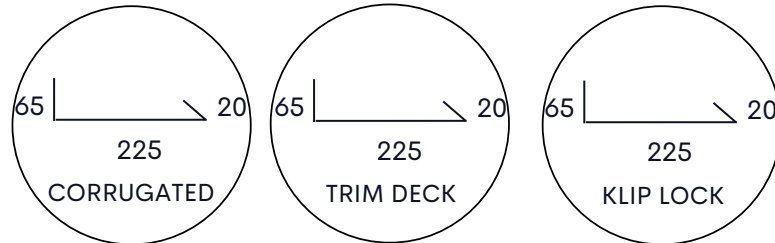
2 year from date of purchase subject to correct installation, use and maintenance in accordance with manufacturer's specifications and recommendations.

# FCM TILE ROOF BASE FLASHING

## FLASHING DETAILS

*Pre-Assembled*

### FRONT, LEFT, RIGHT DETAIL



**TREATED PINE  
INNER FRAME**  
[70mmx35mm]



**FAST FLASH SELF  
ADHESIVE FLASHING**  
[280mm]



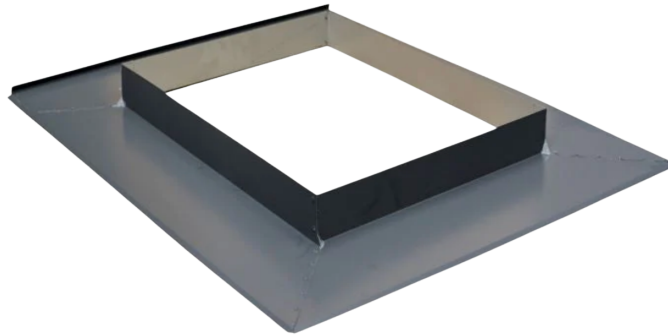
**SEALED & POP CUTTED  
ALL MITRED CORNERS**

---

# FS PITCH ROOF BASE FLASHING

## TECHNICAL SPECIFICATION

---



<b>CODE</b>	Pitch Roof Base Flashing
<b>DESCRIPTION</b>	(Pre-Fabricated) <b>Pitch roof base flashing to suit VELUX FS, VS, VSE, VSS</b> for corrugated, trim deck and klip lock roof profiles above 15 degrees.

---

### TECHNICAL DATA

### MATERIALS

- Colorbond . 55bmt sheet metal
- Zincalume . 55 bmt sheet metal
- 70x35 timber reveal fixed to base flashing
- Polyurethane sealed joints & pop riveted

### STANDARD DIMENSIONS

#### Corrugated

- Front: Upstand 65mm, width 170mm, 10mm feather.
- Sides: Upstand 65mm, width 170mm, 10mm feather.
- Back (soaker detail): Upstand 65mm, width 200mm, 20mm hook fold.
- Back (Back tray detail): Upstand 65mm, width 200mm.

#### Trim Deck

- Front: Upstand 65mm, width 200mm, 25mm 90 degree fold down.
- Sides: Upstand 65mm, width 200mm, 25mm 90 degree fold down.
- Back (back tray detail): Upstand 65mm, width 200mm

#### Klip Lock

- Front: Upstand 65mm, width 200mm, 40mm 90 degree fold down
- Sides: Upstand 65mm, width 200mm, 40mm 90 degree fold down
- Back (Back tray detail): Upstand 65mm, width 200mm

### CUSTOM DIMENSIONS

All Skylight bases can be custom made to suit specific dimensions.

---

### PRODUCT WARRANTY

2 year from date of purchase subject to correct installation, use and maintenance in accordance with manufacturer's specifications and recommendations.



---

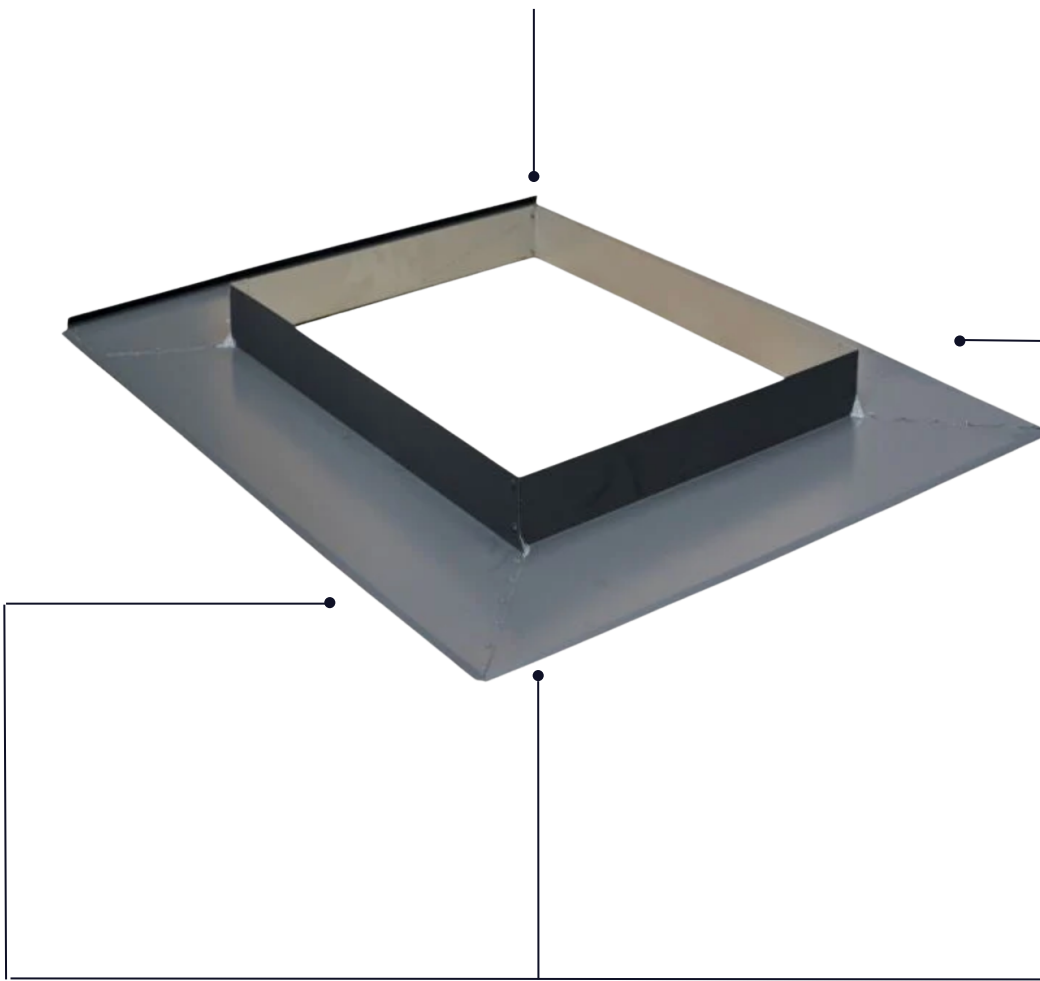
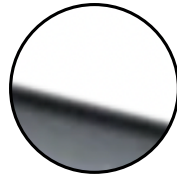
# FLAT ROOF BASE FLASHING

## FLASHING DETAILS

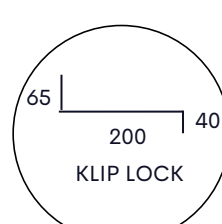
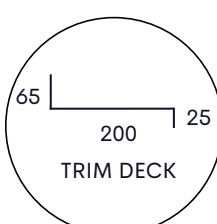
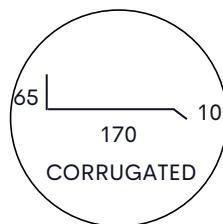
---

*Pre - Assembled*

**REAR PIECE**  
OPTIONAL SOAKER OR  
BACK TRAY DETAIL



**FRONT, LEFT, RIGHT DETAIL**

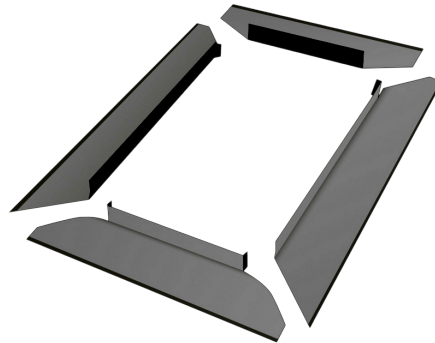


---

# PITCH ROOF BASE FLASHING |FLAT PACK|

## TECHNICAL SPECIFICATION

---

**CODE**

Pitch Roof Base Flashing - FLAT PACK

**DESCRIPTION**

(Pre-Fabricated) **Picth roof base flashing to suit VELUX FS, VS, VSE, VSS** for corrugated, trim deck and klip lock roof profiles above 15 degrees.

---

**TECHNICAL DATA**

Flat Pack flashing kits are required to be assembled by the end user. The kit includes four pieces, front, sides x2 and back + top cap.

**MATERIALS**

- Colorbond . 55bmt sheet metal
- Zincalume . 55 bmt sheet metal
- 70x35 timber reveal fixed to base flashing

**STANDARD DIMENSIONS****Corrugated**

- Front: Upstand 65mm, width 170mm, 10mm feather
- Sides: Upstand 65mm, width 170mm, 10mm feather
- Back (soaker detail): Upstand 65mm, width 200mm, 20mm hook fold
- Back (Back tray detail): Upstand 65mm, width 200mm

**Trim Deck**

- Front: Upstand 65mm, width 200mm, 25mm 90 degree fold down
- Sides: Upstand 65mm, width 200mm, 25mm 90 degree fold down
- Back (Back tray detail): Upstand 65mm, width 200mm

**Klip Lock**

- Front: Upstand 65mm, width 200mm, 40mm 90 degree fold down
- Sides: Upstand 65mm, width 200mm, 40mm 90 degree fold down
- Back (Back tray detail): Upstand 65mm, width 200mm

**CUSTOM DIMENSIONS**

All Skylight bases can be custom made to suit specific dimensions.

---

**PRODUCT WARRANTY**

2 year from date of purchase subject to correct installation, use and maintenance in accordance with manufacturer's specifications and recommendations.

---

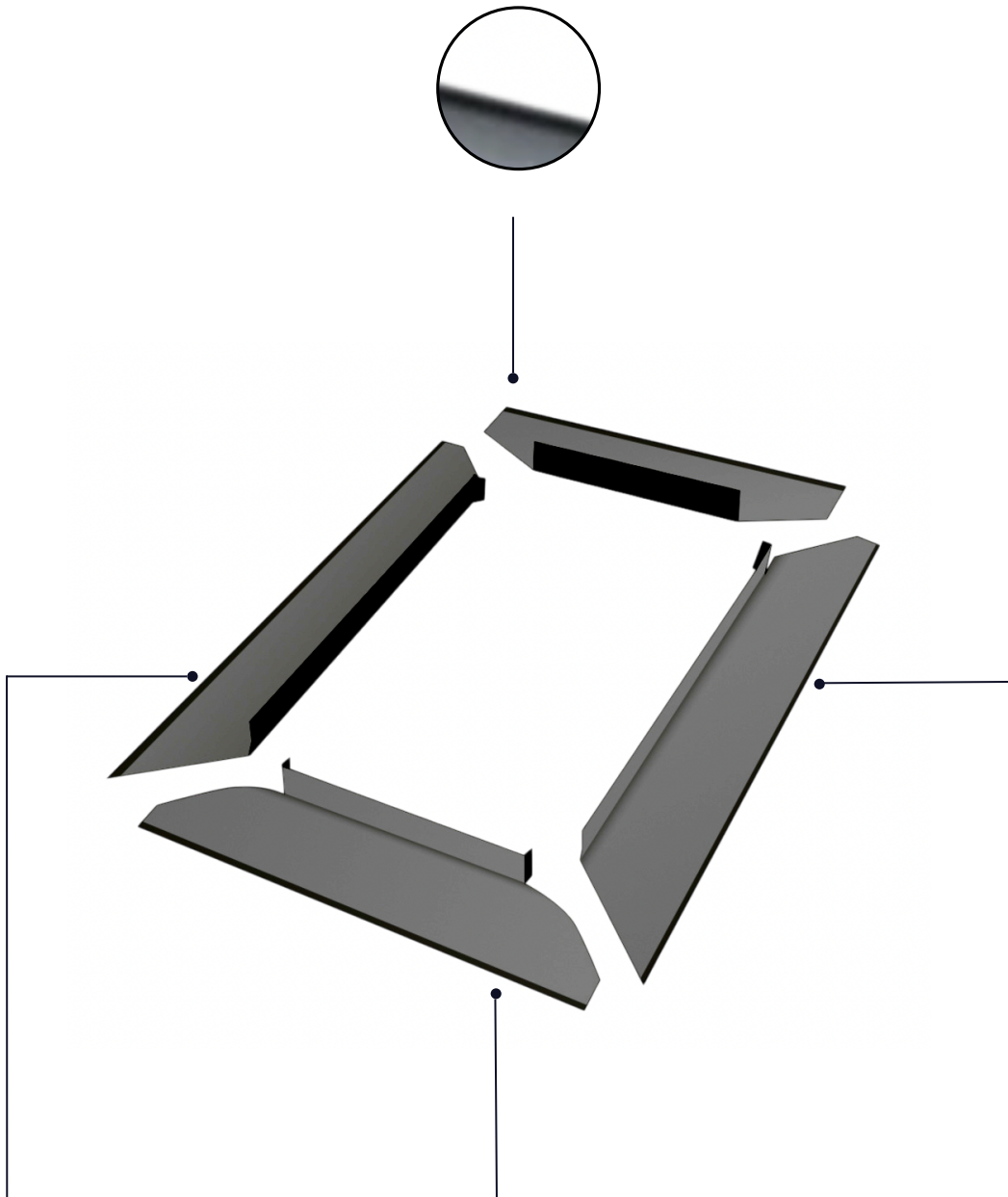
# PITCH ROOF BASE FLASHING

## FLASHING DETAILS

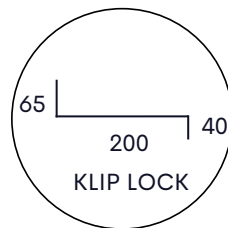
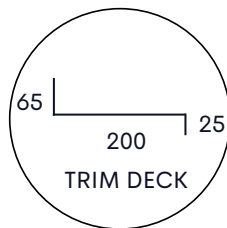
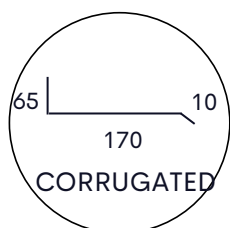
---

*Flat Pack*

**REAR PIECE**  
OPTIONAL SOAKER OR  
BACKTRAY DETAIL



**FRONT, LEFT, RIGHT DETAIL**



---

# PITCH ADAPTOR BASE FLASHING

## TECHNICAL SPECIFICATION

---



<b>CODE</b>	Pitch Adaptor Base Flashing
<b>DESCRIPTION</b>	(Pre-Fabricated) <b>Pitch Adaptor base flashing to suit VELUX FS, VS, VSE, VSS</b> for corrugated, trim deck and klip lock roof profiles below <b>15 degrees</b> .

---

### TECHNICAL DATA

### MATERIALS

- Colorbond . 55bmt sheet metal
- Zincalume . 55 bmt sheet metal
- 70x35 timber reveal fixed to base flashing
- Polyurethane sealed joints & pop riveted

### STANDARD DIMENSIONS

#### Corrugated

- Front: Upstand 65mm, width 170mm, 10mm feather
- Sides: Upstand TBC, width 170mm, 10mm feather
- Back (soaker detail): Upstand TBC, width 200mm, 20mm hook fold
- Back (Back tray detail): Upstand TBC, width 200mm

#### Trim Deck

- Front: Upstand 65mm, width 200mm, 25mm 90 degree fold down
- Sides: Upstand TBC, width 200mm, 25mm 90 degree fold down
- Back (Back tray detail): Upstand TBC, width 200mm

#### Klip Lock

- Front: Upstand 65mm, width 200mm, 40mm 90 degree fold down
- Sides: Upstand TBC, width 200mm, 40mm 90 degree fold down
- Back (Back tray detail): Upstand TBC, width 200mm

### CUSTOM DIMENSIONS

All Skylight bases can be custom made to suit specific dimensions.

---

### PRODUCT WARRANTY

2 year from date of purchase subject to correct installation, use and maintenance in accordance with manufacturer's specifications and recommendations.

---

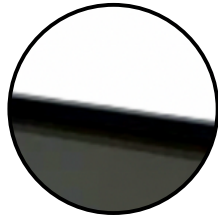
# PITCH ADAPTOR BASE FLASHING

## FLASHING DETAILS

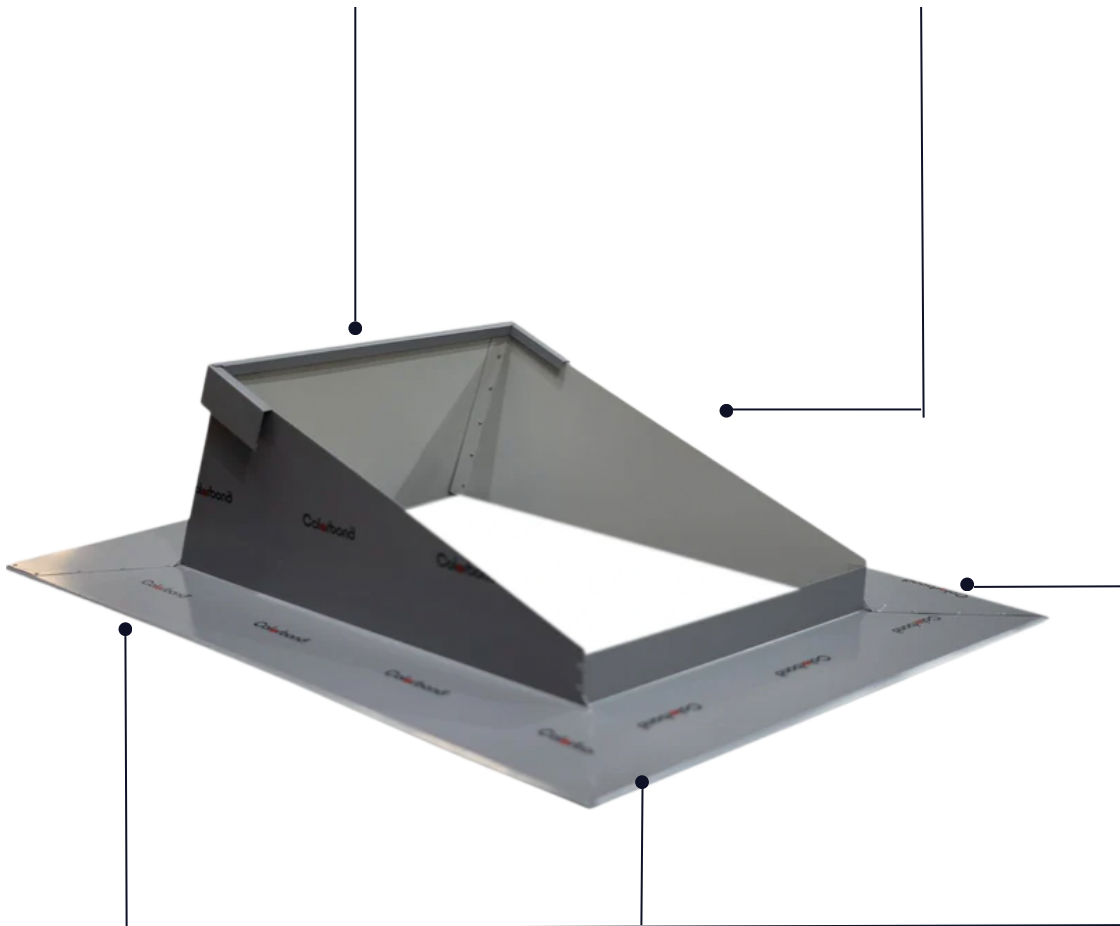
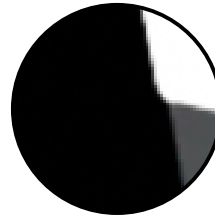
---

*Pre-Assembled*

TOP CAP INCLUDED



ANGLE TO SUIT SPECIFICATION



FRONT, LEFT, RIGHT DETAIL

