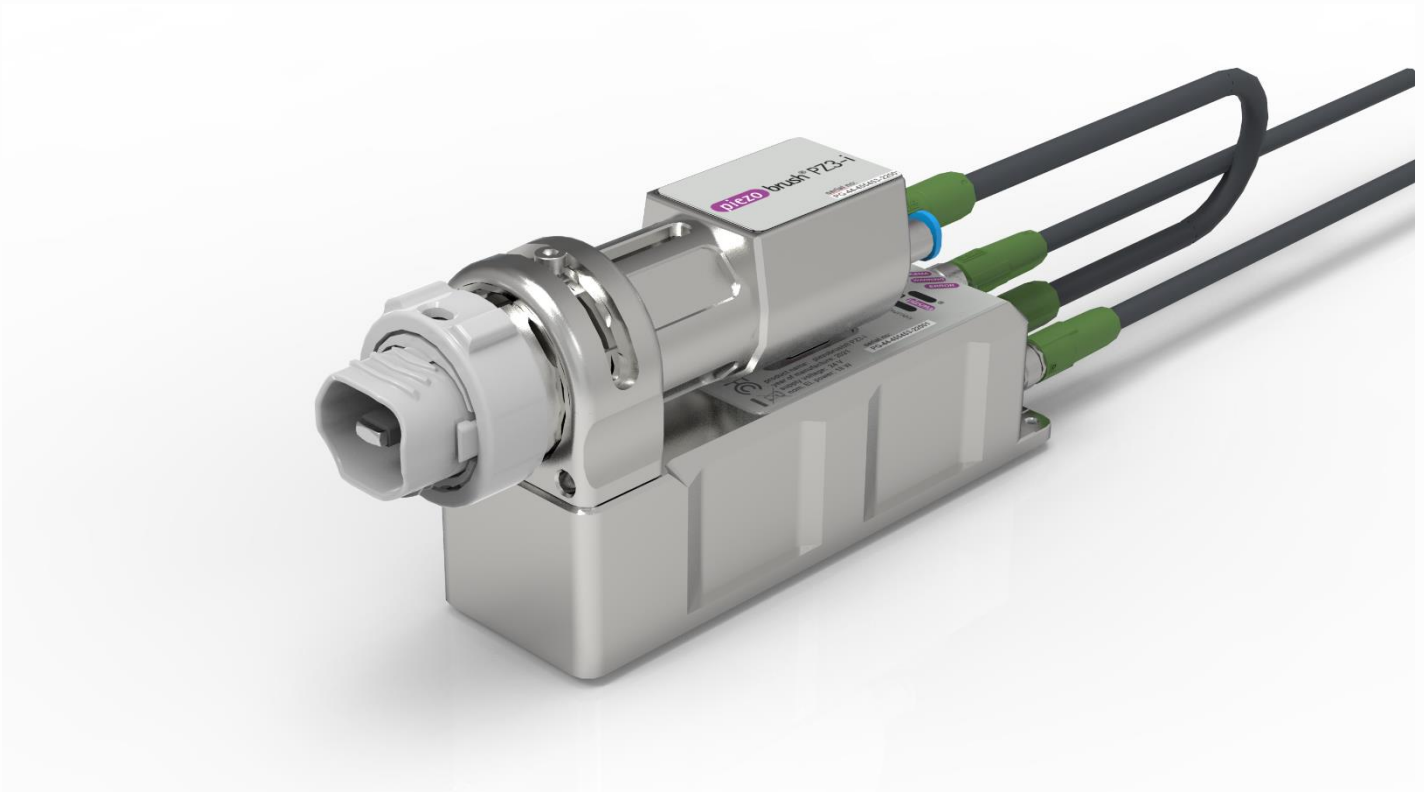


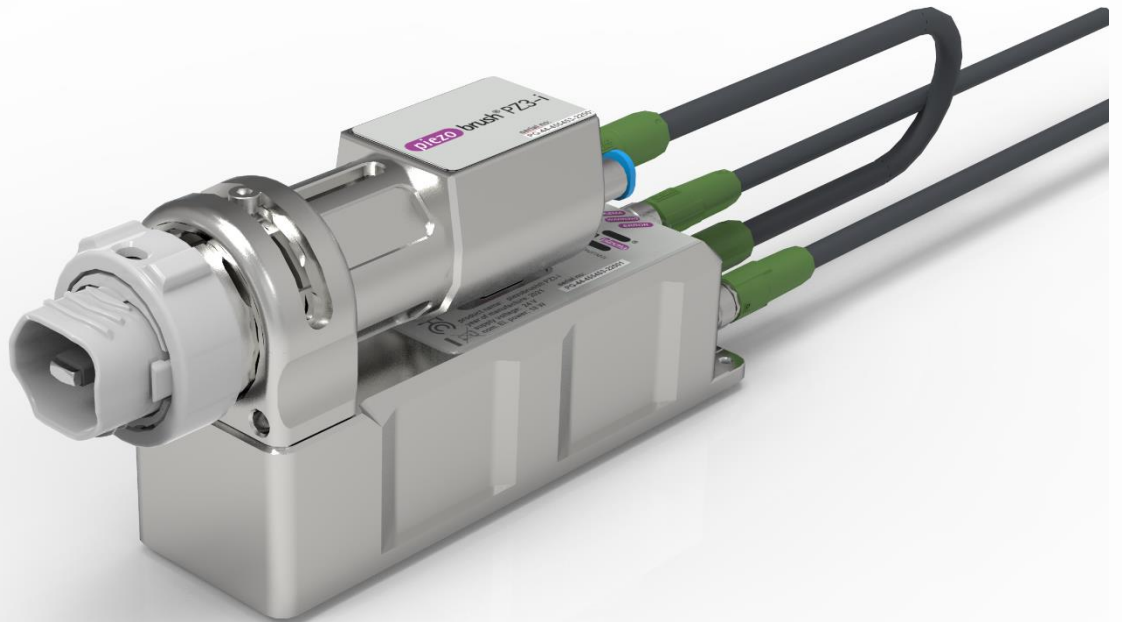
piezo brush[®] PZ3-i

EN	Operating instructions for piezobrush [®] PZ3-i integration unit	3
DE	Betriebsanleitung piezobrush [®] PZ3-i Integrationseinheit	36



piezo brush® PZ3-i

Operating instructions for: piezobrush® PZ3-i integration unit



Thank you for purchasing a **relyon plasma** GmbH branded product. To get the best from your device, please read these instructions carefully.



Important!

Read these instructions carefully before assembling, installing and starting up the device!

Always follow the safety instructions! Failure to follow the safety instructions may result in accidents, serious injury and serious damage to the device.

Train your staff! The operator/user is responsible for ensuring that personnel have fully understood the operation of the device and the safety requirements.

© Copyright **relyon plasma** GmbH 2022.

All rights reserved.

Text, images and graphics as well as their layout are protected by copyright and other protective laws. Unauthorised copying and distribution of this document and the utilisation and communication of its contents are strictly prohibited unless expressly authorised. Offenders will be held liable for the payment of damages. All rights reserved in the event of the grant of a patent, utility model or design.

Translation of the original
operating instructions

1	Safety	6
1.1	Residual risks.....	6
1.2	Information and obligations for the operator.....	8
1.3	Impermissible operating conditions.....	8
1.4	Emissions.....	8
2	Description of the device	9
2.1	Intended use.....	9
2.2	Scope of delivery.....	9
2.3	Description of the device.....	10
2.4	Assignment of connecting lines.....	12
3	Technical data	13
4	Transport/Storage	13
5	Installation	14
5.1	Unpacking.....	14
5.2	Installation requirements.....	14
5.3	Positioning of the components.....	15
5.4	Installation of the components.....	16
5.5	Connecting up the gas supply.....	18
5.6	Connecting up a device with digital I/O communication.....	18
5.7	Setting the module carrier.....	19
5.8	Installation of several devices.....	21
6	Special note on the operation of the plasma process	22
6.1	General description.....	22
6.2	Carrying out surface treatment.....	23
6.3	Measures to take after the surface treatment.....	23
7	Operation	24
7.1	LED display on the driver housing.....	24
7.2	Switching signals.....	24
7.3	Error acknowledgement.....	25
7.4	Installing / removing the exchange module.....	25
7.5	Commissioning of a device with digital I/O communication.....	27
7.6	Changeover in error mode.....	28
7.7	Working with the 'Standard' exchange module.....	29
7.8	Working with the 'Nearfield' exchange module.....	29
7.9	Working with different exchange modules.....	29
8	Taking out of service	30
9	Maintenance	30
9.1	Cleaning.....	30
9.2	Replacing an exchange module.....	30
10	Troubleshooting	31
11	Environment	32
11.1	Disposal.....	32
12	Conformity/Standards	32
12.1	CE.....	32
12.2	FCC.....	32
12.3	Product standards.....	33
13	Spare parts	33
14	Optional accessories	33

1 Safety

The device was designed in accordance with the relevant international standards. However, as with any technical product, hazards may arise if the system is not used properly or is used for purposes other than its intended use.

In addition to the safety instructions in this document, you must also comply with general safety standards.



Caution – Danger!

When working with the device, please note and observe the safety instructions and requirements in these operating instructions because non-compliance may result in serious or fatal injury.

1.1 Residual risks

This device has been manufactured in accordance with the current state of the art. However, it is impossible to eliminate residual risks.

Always adhere to the following safety instructions:



Caution – Electrical voltage!

This device is in protection class III.

- Arrange to have the electrical wiring installed by a qualified person.
 - Only use PELV power supply units or connect the device to a PELV circuit.
 - Arrange for a qualified person to check for compliance with the requirements for basic protection and fault protection defined in DIN VDE 0100-410.

Hazard from electrical voltage. If there is any visible damage to the wiring:

- do not start up the device;
- replace the damaged parts or have them repaired by a qualified person.

Hazard from sparks on the piezo element and on the substrate to be treated:

- do not reach into the plasma discharge area;
- electrically conductive substrates must be earthed or protected against contact;
- do not use combustible gases as process gases. This device is only approved for operation with compressed air or nitrogen.
- flammable or thermally sensitive materials could catch fire or get damaged. Where necessary, check the compatibility of plasma treatment in advance. All work on combustible substrates must be supervised.



Tripping hazard!

Lay all connecting lines and gas lines in appropriate cable ducts. Lay cables such that they do not present a tripping hazard.



Attention – Emissions!

Dangerous amounts of the reaction gas ozone (O₃) and nitrogen oxides may be produced during device operation.

- Ozone concentrations of more than 0.2 mg/m³ can occur.
- Note that compliance with national health and safety measures is mandatory when operating the device.
- Only use the device in conjunction with a suitable extraction system.
- Do not let the device run without supervision.
- Never point the device at people while it is operating.
- To exclude any possibility of dangerous amounts of ozone and nitrogen oxides being produced in the event of a failure of the extraction system, we recommend monitoring the extraction power in the process and only releasing the plasma generation while the extraction system is active.
- Due to the corrosive effect of ozone, we recommend positioning a suitable extraction unit as close as possible to the nozzle outlet to prevent corrosion or damage to other devices or surfaces through contact with ozone.



Attention – Damage to device!

The plasma generator may be damaged if it is operated without gas flow. This would interrupt the supply of cooling medium required in operation.

- Monitor the gas flow and deactivate the device immediately if the gas flow is too low or is interrupted.

Never touch the piezo element on the front side of the device with sharp-edged objects. This component may be damaged by improper handling.

Protect the plasma generator from falls or other hard impacts which may damage the electronics or the piezo element.



Caution! Device for use in an industrial environment

Conducted as well as radiated interference can cause problems to occur with this device, potentially impairing its electromagnetic compatibility in other environments.



Caution – Hot surface!

The exchange modules can become hot due to operation. Do not touch them until they have cooled down, and ensure when working with exchange modules that they do not damage surfaces that are not sufficiently heat-resistant.

Depending on the process parameters, the plasma process may heat up the workpiece being treated. If necessary, allow the workpiece to cool down before handling it.

1.2 Information and obligations for the operator

- The system may emit interference.
 - The device has been tested in accordance with EMC legislation.
 - The operator must verify and assure electromagnetic compatibility with other electrical and electronic equipment in the immediate vicinity of the system.
- Ensure that:
 - operating personnel have read and understood these operating instructions.
 - anyone working near the device is made aware of the dangers and is provided with the necessary protective equipment.
 - repairs are only carried out by qualified persons.
- In particular, make operating personnel aware of the safety instructions in this document.
- Always keep the device in fully functional condition.
- Any modifications made to the device will invalidate the operating licence and the warranty. Exception: if such modifications are expressly authorised by the manufacturer.

1.3 Impermissible operating conditions

The device must not be operated under the following conditions:

- in explosive (Ex) zones;
- in areas with a severe build-up of dust;
- where there is excessive ambient humidity (see chapter 3);
- when installed at altitudes of more than 6,000 feet (2,000 m) above sea level;
- where there are strong vibrations;
- outdoors.

1.4 Emissions

The plasma generator produces the following emissions:

- Ozone (O₃)
- Oxides of nitrogen (NO_x)

Process medium	Gas flow	Emission/Production speed
Air (compressed air)	10 l/min	Ozone < 0.1 g/h
Air (compressed air)	10 l/min	NO ₂ < 5 mg/h
Air (compressed air)	10 l/min	N ₂ O < 1 mg/h



Note!

As a precautionary measure, we recommend using an extraction system with a flow volume of approx. 10 times the total amount of gas flow through the device (or devices) in the immediate vicinity of the plasma outlet.

To prevent any dangerous amounts of ozone and nitrogen oxides from being produced if the extraction system malfunctions, we recommend monitoring the extraction power in the process and only releasing the plasma generation while the extraction system is active.

2 Description of the device

2.1 Intended use

The device is an integration unit for generation of what is known as a 'cold' discharge, hereafter referred to as 'plasma'. It is intended to be mounted in stationary devices or in positioning units and is used for pre-treating various material surfaces prior to process steps such as adhering or printing. The cleaning effect of the plasma can also be utilised. Only use the device for the intended purposes. Failure to do so may restrict product liability.

2.2 Scope of delivery

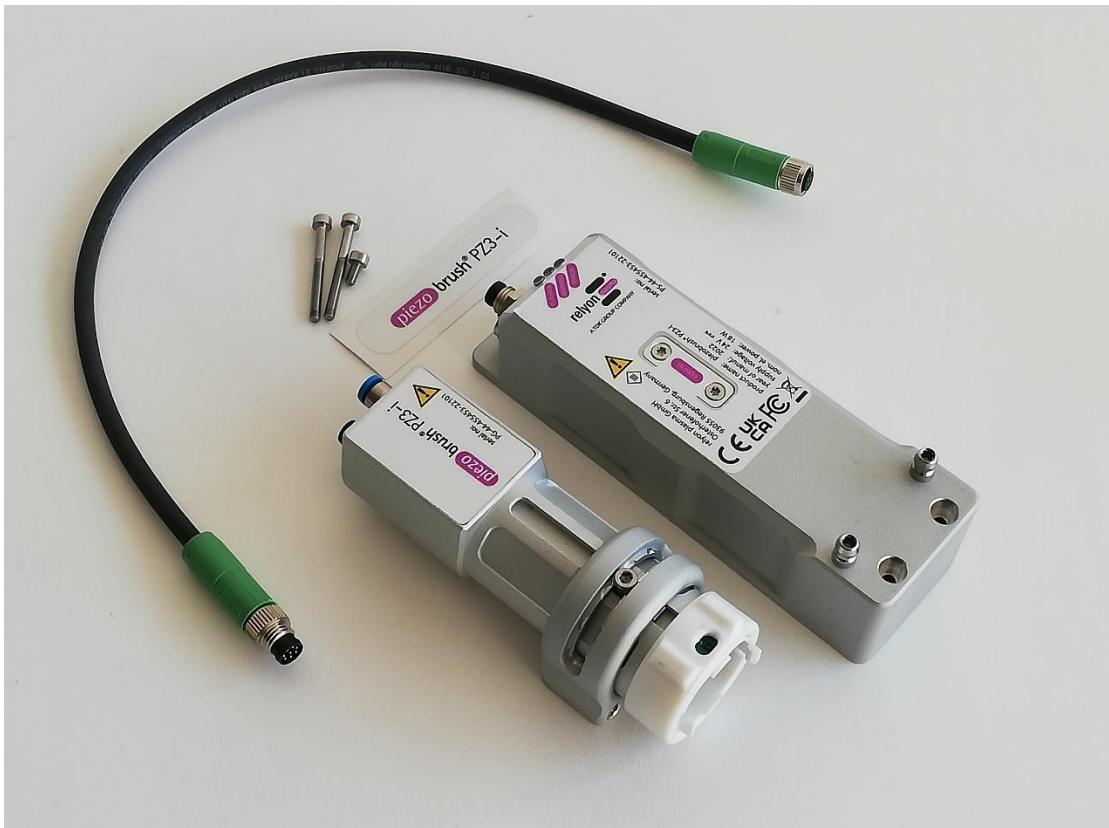
piezobrush®PZ3-i integration unit (1000 7000 00)

The scope of delivery includes the following components:

- Plasma generator/integration unit (consisting of a driver unit and a module carrier)
- Connecting line between driver unit and module carrier (length 0.3 m)
- Assembly screws (2 units M3x30; 1 unit M3x6)
- Operating instructions

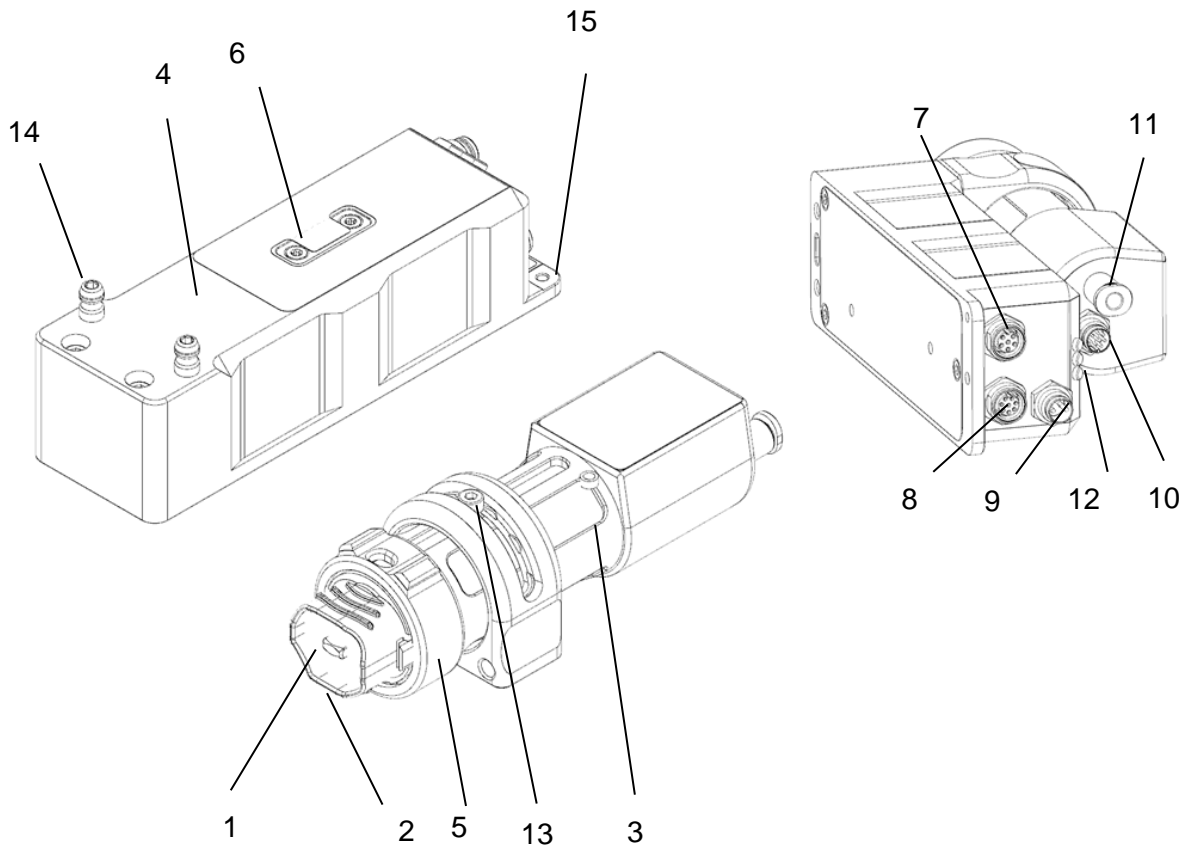
Not included:

- Power unit / voltage supply
- DC connecting lines and communication
- Exchange module

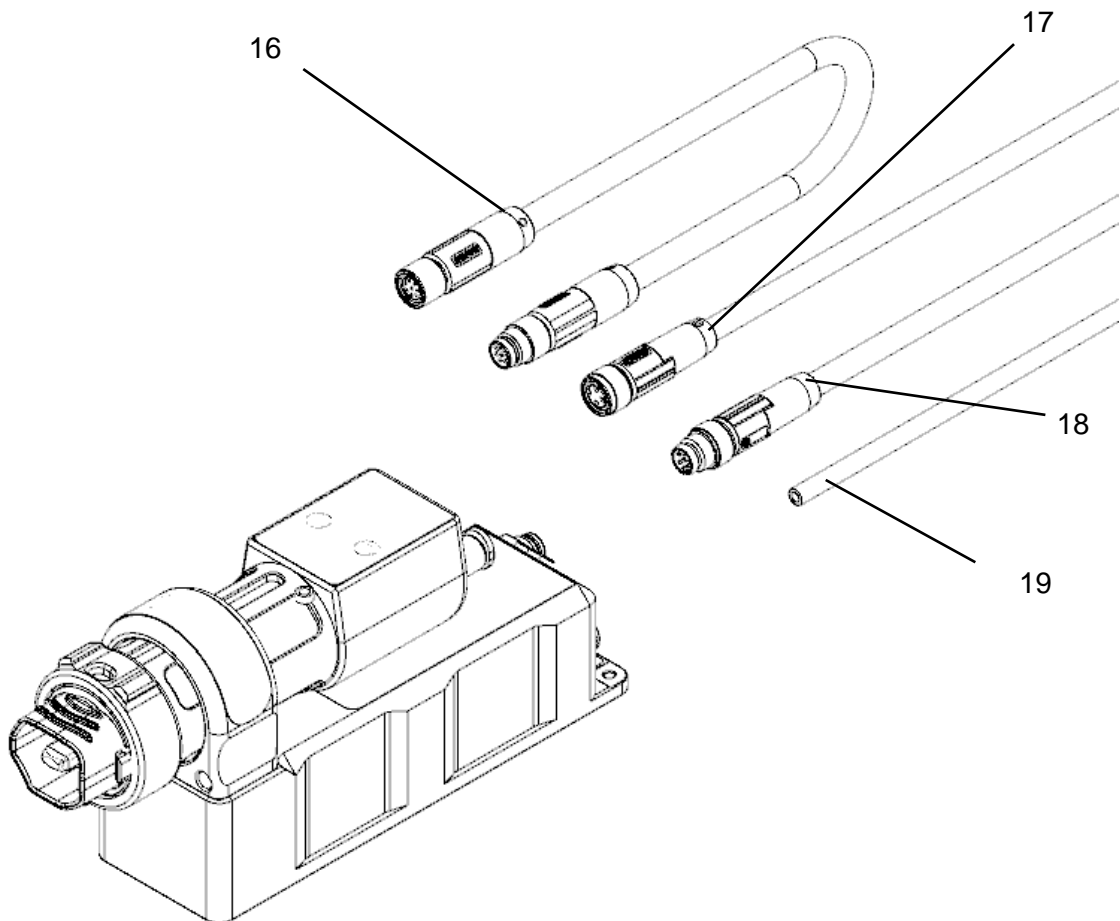


2.3 Description of the device

The individual parts of the device are shown and named in the diagram below. These terms are used at corresponding points in the operating instructions



No.	Component description
1	Module 'Standard' (shown here installed in the device; not included)
2	Piezo element (firmly installed in the exchange module)
3	Integration unit (module carrier)
4	Integration unit (driver unit)
5	Locking ring
6	CONFIG cover
7	'Digital I/O' interface
8	'Module out' interface
9	'DC in' interface
10	'Module in' interface
11	'Gas in' interface
12	LED status display (3 LED: Plasma / Warning / Error)
13	Adjustment screw for module carrier
14	Locating pins for module carrier
15	Functional earth connection (M3)



No.	Component description
16	Module connecting line (8-pin, length 0.3 m)
17	DC connecting line (3-pin, not included)
18	Communication connecting line (6-pin, not included)
19	Gas hose, external diameter of 4 mm (not included)



Caution!

The piezo element is an oscillating component that vibrates mechanically at high frequency. Due to its design, this component cannot be attached rigidly. Therefore the module may be located off-centre within defined limits in these exchange modules. This is not a fault or a quality defect.

Under some circumstances, this vibration can cause audible frequencies. This is also normal and is not a fault or a quality defect.

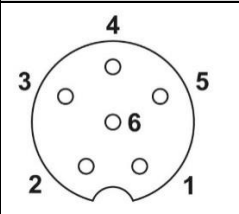
2.4

Assignment of connecting lines

The DC connecting line must be assigned as follows:

	#	Colour	Signal
	1	brown	24V DC
	3	blue	GND
	4	black	Not assigned

The communication connecting line must be assigned as follows:

	#	Colour	Signal
	1	brown	Plasma on (input 0 to 10 V analogue, up to 24 V voltage-proof)
	2	white	Plasma OK (output 0 V / 24 V at max. 20 mA)
	3	blue	Error (output 0 V / 24 V at max. 20 mA)
	4	black	Not assigned
	5	grey	GND
	6	pink	Not assigned

Specification for connecting lines:

	DC connecting line	Communication connecting line
Standard	M8 plug connector IEC 61076-2-104	
Number of poles	3	6
Head shape	Socket/female	Plug/male
DC reference voltage [V]	60	30
Reference current [A]	4	1.5
Coding	A / Standard	A / Standard
Cable cross-section	3x 0.25 mm ²	6x 0.14 mm ²
Maximum length	30 m	30 m



Caution – Electrical voltage!

The wires may only be connected to the power supply unit or control system by authorised electrically skilled persons!

If there is any visible damage to the wiring:

- do not start up the device;
- arrange to have the damaged parts repaired by a qualified person or replace them.

3

Technical data

Electrical data			
• Supply voltage	24 V DC		
• Power consumption	max. 18 W		
• Model	Integration unit with gas connection		
• Overvoltage cat.	Category I (DIN EN 60664-1 VDE 0110-1)		
Dimensions			
• Weight	370 g complete device with module, without connection lines (178 g module carrier / 202 g driver unit)		
• Dimensions	40 x 150 x 72 mm (WxHxD); without connecting lines / module		
• Cable length	0.3 m		
Typical application parameters (example of Standard exchange module)*			
Range of applications	Precision cleaning	Adhesive bonding	Compression
• Plasma temperature*	< 50 °C (at 5 mm distance)		
• Distance for treatment*	2 – 10 mm		
• Width for treatment*	Compressed air 5 to 29 mm; nitrogen 5 to 50 mm		
• Speed*	1-15 mm/s	10-150 mm/s	100-1500 mm/s
Operating conditions			
• Air humidity	< 80% rel. (non-condensing)		
• Temperature	10 – 40 °C; 50 – 104 °F		
• Degree of contamination	2		
Storage conditions			
• Air humidity	< 80% rel. (non-condensing)		
• Temperature	0 – 60 °C; 32 – 140 °F		
Gas connection			
• Gas types	- Compressed air (purified, free of oil and lubricants) - Nitrogen (industrial gases free of particles and oil) - Additional gas types only after approval from relyon plasma .		
• Gas flow rate / gas inlet pressure	8 to 20 l/min; max. 2 bar		
• Quality	Compressed air 1.4.1 acc. to ISO 8573.1 Nitrogen 2.8 (N2) acc. to DIN EN ISO 14175:N1		
• Connection	Hose outer diameter Ø 4 mm (quick coupling)		

* These values are only a course guideline. Depending on treated material, process parameters, following processes and process requirements the actual results can vary significantly from the typical parameters in both directions (see chapter 6). Due to the low plasma temperature of lower than 50 °C a slower treatment is not considered critically.

4

Transport/Storage

- Store the device in a dry place. This will prevent the electrical contacts from corroding.
- Protect the device from dirt and foreign objects.
- Protect the device from falls or other hard impacts.

5 Installation



Attention – Damage to device!

To prevent damage to the device, always pay attention to the notes on operation in chapter 7.

5.1 Unpacking

- Open the packaging carefully. Note the information about directions provided on the packaging.
- Take the device and its small parts out of the packaging.

5.2 Installation requirements

Before installing the device, the following criteria must be met.

- The device must be fully intact.
- Before starting to use this device, leave it to acclimatise at its installation location for at least one hour to balance out any temperature differentials caused by storage or transport;
- Provide a power supply (SELV/PELV) that satisfies the requirements listed below.
 - Output voltage: 24V +/- 5%
 - Output ripple: <1%
 - Power: min. 15 W / max. 18 W (on each device)
 - Maximum current to each device must not exceed 750 mA. This must be assured by an appropriate pre-fuse.
- Provide a corresponding gas supply (see Point 3). Install an upstream pressure reducer to ensure that the device is never exposed to a pressure of more than 2 bar.
- Provide a corresponding extraction system (see Point 1.4).
- Provide the corresponding connecting lines (see Point 2.4)
- Ensure by monitoring the gas supply and the extraction power that the unit can only initiate plasma activation if sufficient levels of gas supply and extraction power are available.
- If installing as a permanent installation or in a building, a suitable switch or circuit breaker that satisfies national safety requirements (in Germany: VDE 0100) must be fitted as an upstream all-pole cut-off device that will disconnect the device from the power supply. This cut-off device should be fitted near the device and must be easily accessible to the user. The switch must also be labelled as the cut-off device for the device.
- The device releases its waste heat most efficiently using a heat line at the back of the device. To dissipate heat in the most effective way, secure the device to a material that conducts heat well (e.g. aluminium).

5.3

Positioning of the components

Pay attention to the following points when positioning the device:

- The spacing between piezo elements must be at least 40 mm from centre to centre. This minimum spacing is established automatically by the housing width of 40 mm. However, in the event of a different configuration, ensure that the module outlets in this case maintain spacing of at least 40 mm.

In case of an positioning with the plasma outlets facing each other, the minimum distances can differ for the different module types. Please contact us in this case.

- In the area of the exchange module that protrudes from the front of the module carrier, no electrically conductive objects or other piezo elements must be positioned closer than 40 mm.

- If possible, you should position an extraction unit close to the plasma discharge point. Note that ozone is a corrosive gas and that the gas flow being extracted can corrode painted surfaces. With reference to the extraction volume, also pay attention to Point 1.4.

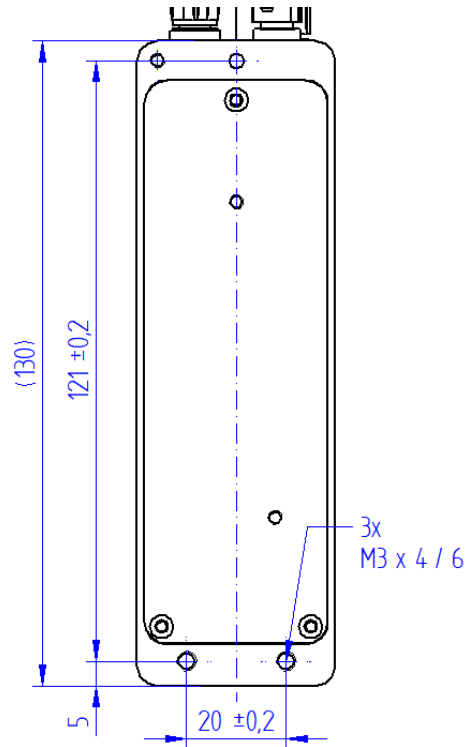
- Heat is dissipated from the device passively through its metal housing. At higher than usual ambient temperatures, special care must be taken to ensure that the device is attached to a support with good thermal conductivity (e.g. made of aluminium).

- Route the cables with strain relief, avoid laying them over sharp edges, ensure they do not pose a trip hazard and that movement is kept to a minimum.



- Either position the device so that the exchange module can be pulled out of the module carrier during maintenance or, alternatively, in such a way that the module carrier can be removed as described in 7.4.

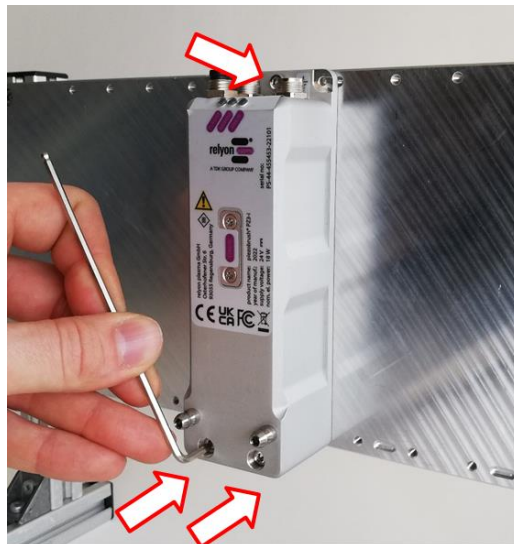
- To mount the device, use three threaded holes M4 (min. 4 mm thread depth) as shown in the drawing below.



5.4 Installation of the components

5.4.1 Installation when positioning the module carrier directly on the driver housing

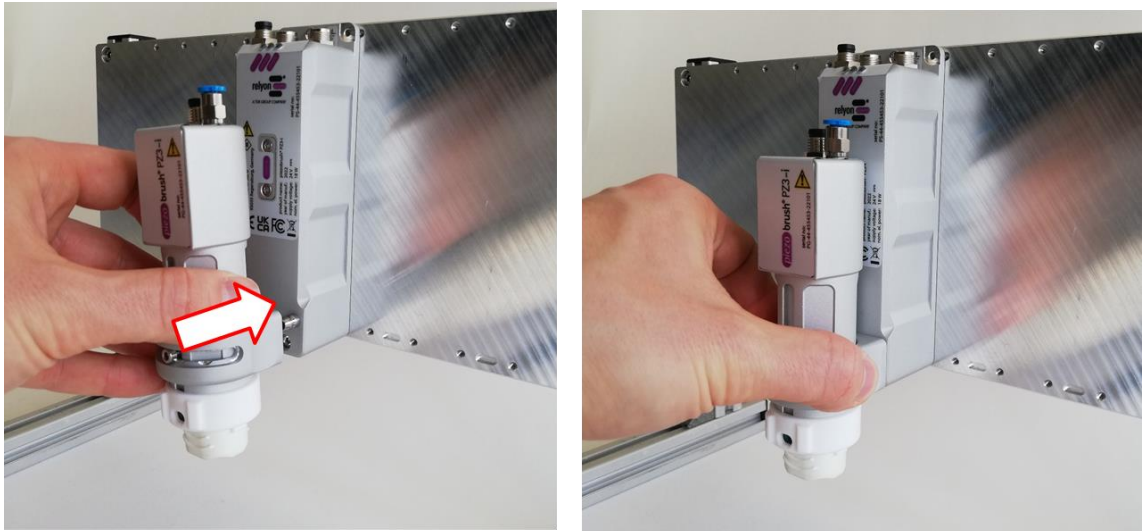
Secure the driver housing to your locating surface with the mounting screws provided (waf 2.5).



Turn the locking ring on the module carrier anti-clockwise into its 'open' position (red). Install the desired exchange module in the module carrier. For this, grip the front area from outside, as shown in this illustration, without touching the piezo element. With the adhesive label facing upwards, it is easy to slide the exchange module into the module carrier. Ensure that the exchange module is installed as deeply as shown in this illustration. Turn the locking ring on the module carrier clockwise into its 'closed' position (green).



Grip the module carrier as shown and place it on the driver housing by sliding it onto the two locating pins from the front and then pressing it firmly home against the driver housing.



5.4.2 Installation with separate positioning of driver housing and module carrier

Secure the driver housing as described in 5.4.1.

Remove both locating pins from the front of the driver housing (waf 2.5 Allen key).

In accordance with the bore pattern, prepare a locating bore to accommodate the module.

Screw both locating pins into the locating bores.

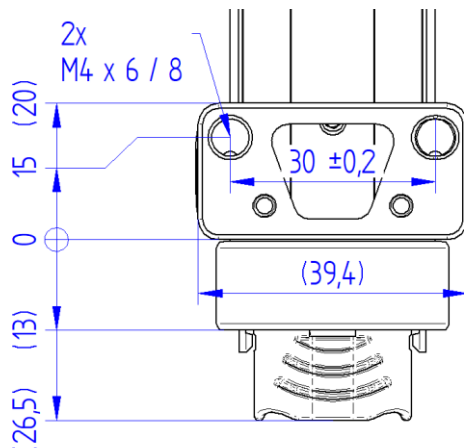
Install the module in the module carrier as described in 5.4.1.

Set the module carrier on the locating pins and press this firmly home.

Please note that EMC compatibility levels were only measured on 0.3 m lengths of cable between module carrier and driver housing. Lengths beyond this can cause deviations from these measurement results depending on the routing in installation and, in case of

doubt, would have to be measured by the company operating the system in the given integration situation.

For both mounting variants, the two grub screws on the underside of the module carrier retaining ring can be tightened to deactivate the tool-free removability of the module carrier. This is recommended if, due to the installation situation, access to the exchange module is also possible without removing the module carrier without any problems.



5.5 Connecting up the gas supply

Connect up an appropriate gas hose with an external diameter of \varnothing 4 mm.

Press this into the push-in fitting deep enough to secure it firmly. Check that the hose is fitted tightly before applying pressure to it.

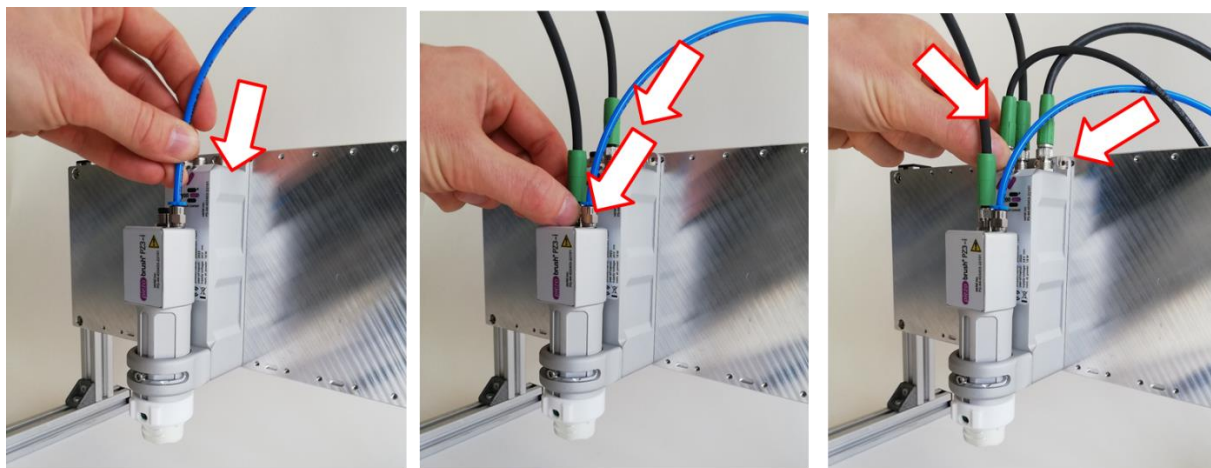
5.6 Connecting up a device with digital I/O communication

Connect up the line connecting module and driver housing. Then hand-tighten all cap nuts.

Connect the communication connecting line to the driver housing.

Connect the DC connecting line to the driver housing.

Connect equipotential bonding to the earth potential.

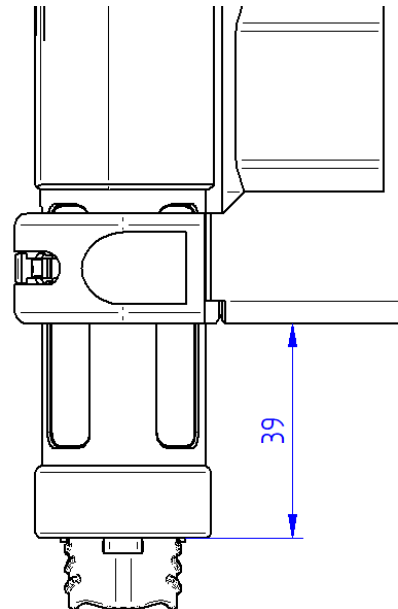
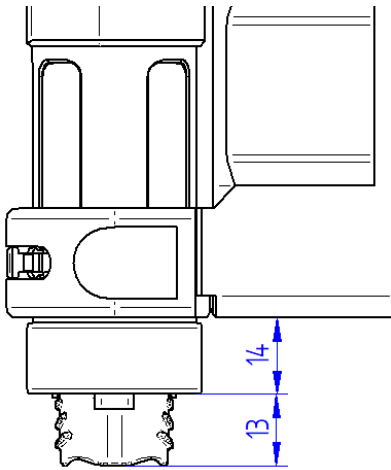
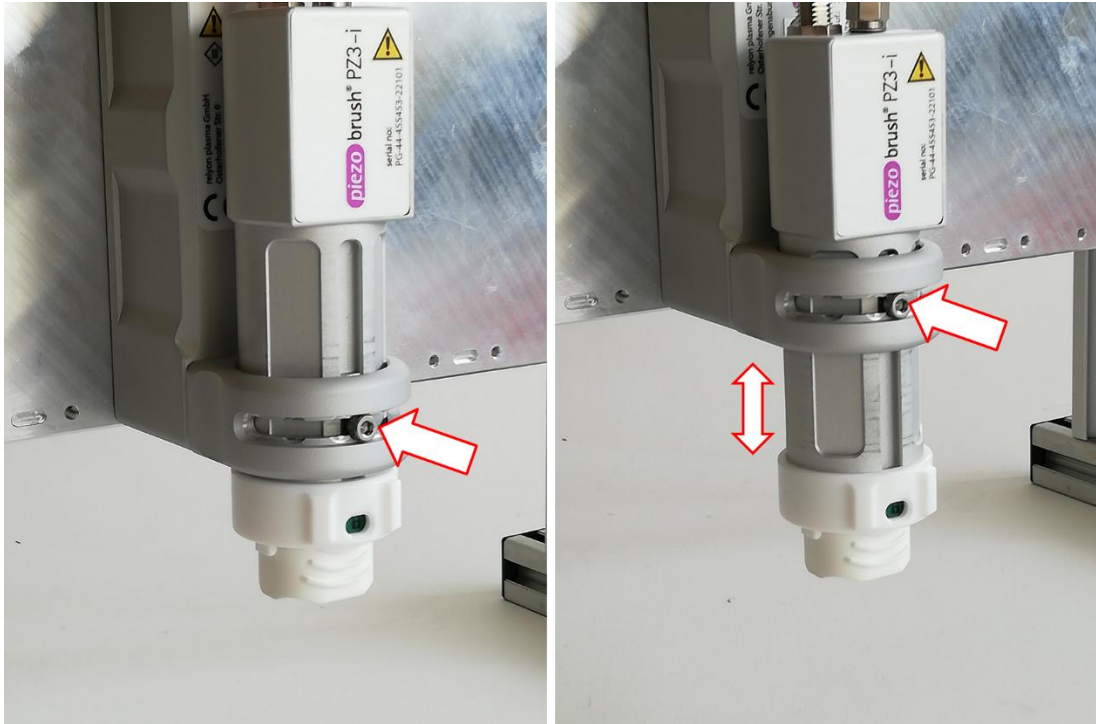


5.7

Setting the module carrier

- **Height adjustment**

The height of the module carrier can be adjusted using the adjustment screw. Loosen it then slide the module carrier to the desired height. Tighten the screw back down in this position. Please note that the different types of exchange module protrude from the module carrier to different extents. This figure illustrates the standard module.



- **Adjusting the angle**

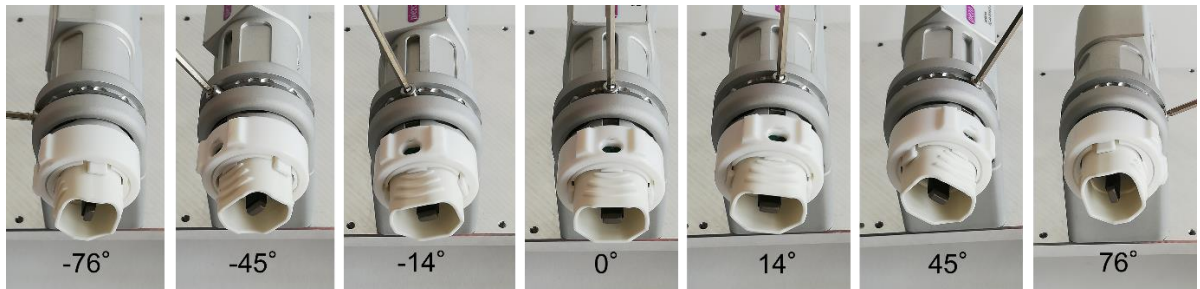
On the vertical axis, the module carrier can be turned relative to the driver housing.

For design-related reasons, the piezo element does not have a rotationally symmetrical cross-section. The discharge shape creates the optimum angles for the most homogeneous activation results possible.

Depending on the direction of movement of the substrate to be treated relative to the unit, the angle of attack can be optimised if high homogeneity is required.

To do this, unfasten the adjusting screw until the screw head can be moved across the recesses in the cutaway.

The pre-packaged angles are -76° , -45° , -14° , 0° , $+14^\circ$, $+45^\circ$ and $+76^\circ$.



For optimised homogeneity at maximum treatment width choose an angle of 45° .

For optimised homogeneity at maximum treatment intensity choose an angle of 14° / 76° (depending on direction of movement).

- **Fitting the seal label**

To prevent accidental adjustment of these settings, the adjusting screw can be masked using the enclosed seal label. The interface to the module carrier during a module change can be done without tools and without changes to the positioning of the module carrier.



5.8 Installation of several devices

When installing multiple devices, be sure to observe minimum distances beside the exchange modules. If these distances are not observed, discharges from the individual exchangeable modules may interfere with each other, adversely affecting the treatment result or even cause damage to the unit.

Below is an example of a side-by-side line-up solution and a line-up solution with modules offset by half at the back.



6 Special note on the operation of the plasma process

6.1 General description

Treating surfaces with atmospheric plasma has several advantages. Examples include an increase in surface energy to achieve better surface wetting. Optimum surface wetting is the first and often most decisive step to achieving a good imprint, a uniform coating, a consistent coat of lacquer or an integrally bonded adhesive application. The bond at this boundary layer often determines the longevity and adhesive strength of this material pairing.

Atmospheric-pressure plasma increases throughput in many industrial processes, while at the same time saving the costs of solvents or chemical primers.

We have successfully integrated our plasma products into the following application fields:

- ultra-fine cleaning of metal, glass and plastics;
- surface activation and surface functionalisation for optimised wetting action;
- plasma-assisted laminating processes;
- plasma-assisted adhesive bonded joints;
- plugging and sealing;
- plasma-induced reduction of metal surfaces;
- chemical-free bleaching of textiles;
- treatment of food products to improve quality and shelf life;
- multi-component injection moulding.

Practically all technical material classes can be efficiently processed under atmospheric pressure:

- Metals and metal alloys
- Plastics and composite materials
- Glass, ceramics, inorganic composites and natural stone
- Natural leather and synthetic leather
- Natural fibres, wood and paper

Since the plasma treatment is always just a single part of the entire process, it is important that the additional parameters are known in order to achieve an optimum result.

Typical influencing variables could be:

- Plasma process: distance from substrate, speed, power setting, type of gas (compressed air or nitrogen), gas flow, design of exchange modules.
- Substrate/workpiece: material composition, contamination, electrical conductivity, thermal conductivity, moisture content.
- Workpiece treatment: contamination before or after the plasma process, the time elapsed between the plasma process and the follow-up process.

Treatment examples can be requested directly from **Relyon Plasma GmbH**.

Additional information on applications, as well as publications, can be found on the website at www.relyon-plasma.com.

6.2 Carrying out surface treatment

Depending on the type and condition of your substrate, pre-cleaning before the plasma process can improve the overall outcome.

The effect of the treatment depends on the working **distance, treatment time, speed and consistency of movement, as well as the material to be treated.**

Treatment examples can be requested directly from **Relyon Plasma GmbH**.

6.3 Measures to take after the surface treatment

To achieve an optimum result, it is important that as little time as possible elapses after the plasma treatment and that the treated surface is not touched or contaminated.

Cleaning the surface **AFTER** the plasma treatment is not recommended.

Since the workpiece may heat up depending on the type and duration of the plasma process, it may be necessary to allow the workpiece to cool down first before the next process step is executed. This is to ensure that the process will not be negatively impacted by the introduction of heat (e.g. in certain bonding processes).











Caution – Hot surface!

The workpiece to be treated may be heated up by the plasma process, depending on the process parameters. If necessary, allow the workpiece to cool down before handling it.




7 Operation

7.1 LED display on the driver housing

In the event of an error signal being issued in response to a defect condition, the LED display on the driver housing can restrict the cause of the fault using the following error codes.

	Device not powered
	Device ready
	Device powered; no module detected
	Plasma process running
	Warning: plasma process running, plasma critical
	Warning: plasma process running, temperature critical
	Failure: plasma
	Failure: temperature

Legend:

-  off
-  permanent light
-  flashing (quantity)

7.2 Switching signals

- **Plasma on**

Analogue input to start plasma generation. Through signal voltages of between 3 V and 10 V, power can be controlled as shown in the adjacent table.

The voltage level for the desired power rating must be present continuously throughout the duration of plasma generation.

Voltage	Power
0 V	Plasma off
3 V	30%
4 V	40%
...	...
10 V	100%
greater than 10 V (up to 24 V)	100%



Attention

The 'Plasma On' signal can only be interpreted correctly if it occurs no sooner than 100 ms after connection to the 24 V power supply.

The 24V power supply must also still be present on the device at least 5 seconds after deactivation of the plasma signal.

Ensure that the 'Plasma On' signal can only be activated when there is a sufficient supply of gas and sufficient extraction power. We recommend a gas run-up of 1 second and a gas run-down of at least 3 seconds.

The shortest cycle time for the 'Plasma On' signal is 500 ms. For shorter cycle times, no reliable plasma generation takes place. The transient response of the piezo transformer creates a delay in plasma formation after the switching signal.

- **Plasma OK**

Output with feedback about the plasma status.

In a reliable operating condition, 24 V is present at this output.

When switched off or in the event of a fault, this drops to 0 V.

Maximum load capacity of 20 mA.



Attention

The Plasma OK signal only verifies that the exchange module is operating within an acceptable range of operating parameters and that plasma is being discharged. It does NOT check if the activation power arrives on the substrate or if the whole process is 'OK'.

- **Error**

Output with feedback about the error status.

In the event of a fault, 24 V is present at this output.

In permitted operating conditions, that figure drops to 0 V.

Maximum load capacity of 20 mA.

7.3 Error acknowledgement

The error status remains active even after the 'Plasma On' signal has been deactivated. A reset after a fault has been remedied is only possible by removing the 24 V power supply from the DC connecting line.

To restart plasma generation, the 'Plasma on' switching signal must be switched on again.

7.4 Installing / removing the exchange module

To make it easier to distinguish between them, exchange modules must be provided with colour-coded adhesive labels. Please do not remove these labels.



Caution – Electrical voltage!

Ensure that the power supply is isolated when replacing a module. Do not reach inside the device after the exchange module has been removed.



Caution – Hot surface!

Exchange modules may have become hot while in operation. Do not touch them until they have cooled down, and ensure when working with exchange modules that they do not damage surfaces that are not sufficiently heat-resistant.

To use an exchange module, remove it from its packaging and only hold it outside by the nozzle outlet without touching the piezo element (Fig. 1).

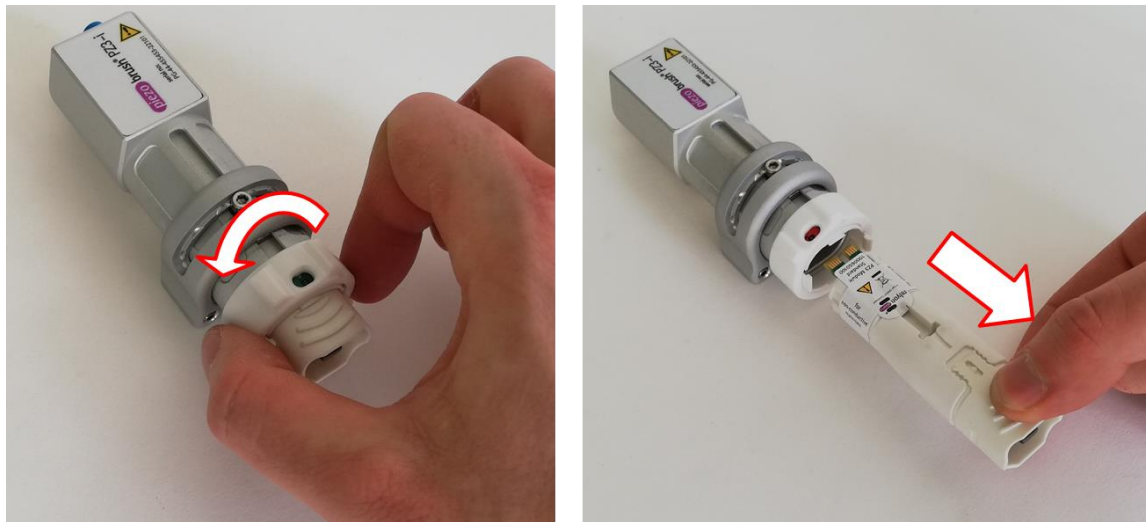
To make installation possible, ensure that the contact board of the exchange module is on the same side as the adhesive label on the module carrier.

Turn the locking ring on the module carrier anti-clockwise into its 'open' position (red). Install the desired exchange module in the module carrier. For this, grip the front area from outside, as shown in this illustration, without touching the piezo element. With the adhesive label facing upwards, it is easy to slide the exchange module into the module carrier. Ensure that the exchange module is installed as deeply as shown in this illustration. Turn the locking ring on the module carrier clockwise into its 'closed' position (green).



To remove an exchange module, first wait until it has cooled down. Depending on the exchange module, operation can cause it to heat substantially.

Turn the locking ring on the module carrier anti-clockwise into its 'open' position (red). Pull the exchange module downwards and out of the module carrier. For this, grip the front area from outside, as shown in this illustration, without touching the piezo element.



If the installation situation prevents the exchange module from being removed downwards when mounted, the module carrier including module must be removed without tools. To prevent damage to the module cable, we advise that you disconnect it before removing the module carrier.

Pull the module carrier forwards to remove it from the driver unit then remove the exchange module as described above.

It is also possible to plug the module carrier back onto the driver housing without tools.



Attention – Damage to device!

Do not grip inside the device if no exchange module is installed, and do not insert any objects in the device aperture except for the exchange modules designed for this purpose. Only grip the exchange modules in the front area as described above and avoid contact with the contact board and the piezo element.

Carefully install the exchange modules and also remove them carefully.

7.5 Commissioning of a device with digital I/O communication

- Ensure that an exchange module is installed in the device.
- Please note the instructions relating to electrically conductive objects (Figs. 5 to 8).
- Ensure that sufficient suction extraction is assured in the work area.
- Ensure that the module carrier has a functioning gas supply.
- Ensure that the carrier has a supply voltage of 24V.
- Apply the desired voltage to the 'Plasma On' switch input.



While plasma is being generated, do not reach into the working area. This may interrupt plasma discharge and cause skin irritation and/or be found to cause mild pain.



Attention – Damage to device!

The device may get damaged if it is operated without a gas supply. This would interrupt the flow of cooling medium required during operation.

Monitor the gas flow to the module carrier and interrupt the plasma generation immediately if the gas supply is interrupted. We recommend monitoring the suction power in the process. It is advisable only to release plasma generation when sufficient gas is being supplied.

The device can be damaged if there are electrically conductive objects closer than 40 mm around the front third of the device.

Exception: Substrate in front of the exchange module **when using** the modules intended for this purpose, e.g. the 'Nearfield' module.

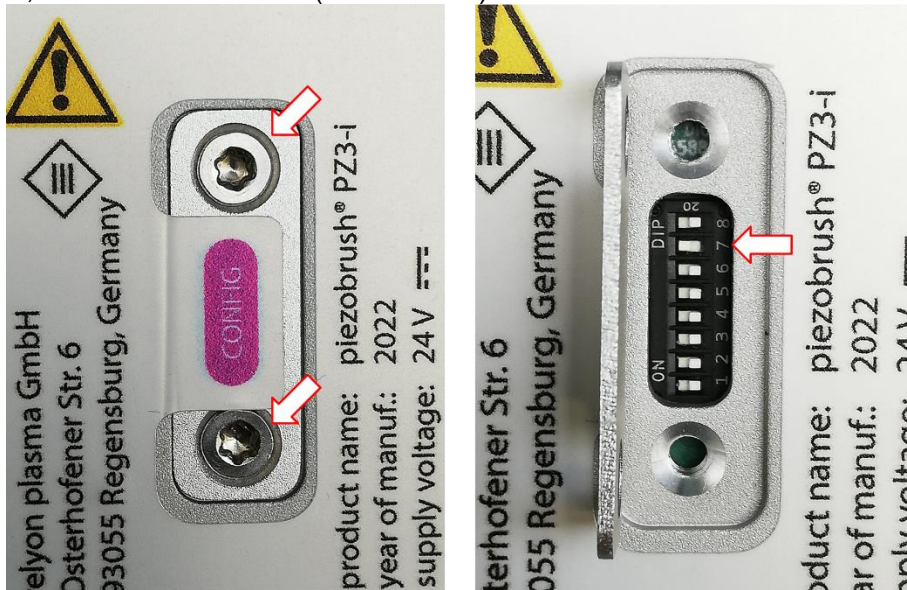


Note!

In some circumstances, the electrical fields generated by the device can damage sensitive electronic components. Ensure that the components in your application are not affected adversely by the plasma process.

Changeover in error mode

Error mode is changed over by a DIP switch on the driver unit. To be able to change this over, remove both screws (TX8 wrench). The cover can then be folded away to one side.



Error mode is changed over using switch number 7.

- 'Failure' mode: Switch in the 'OFF' position / right (delivery condition)
When an error is detected, the device switches immediately into ERROR mode and stops plasma generation.
- 'Warning' mode: Switch in position 'ON' / left
Initially, when an error is detected, the device just goes into warning mode (yellow LED), but it continues to generate plasma. ERROR mode, which protects the device, is not invoked until the device exceeds permitted parameters.

All other switches in the current version of this device have no function and should be left in the 'OFF' / right-hand position.

i

Attention – Damage to device!

The default setting for error mode is factory-set to 'Failure'. This stops the device to protect the exchange module from situations that could damage the piezo element. Furthermore, this is an indicator that this plasma discharge is not suitable for the material being treated and does not lead to any satisfactory surface activation.

There are however materials (e.g. composites or liquids) that cannot be treated using the 'Failure' setting. However, the changeover to the 'Warning' error mode can cause the exchange module to get damaged, depending on which material or which process parameters are being used.

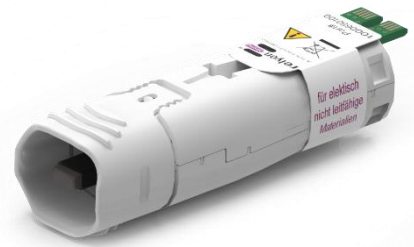
Only implement error mode when the power supply is isolated.

7.7 Working with the 'Standard' exchange module

This exchange module serves a wide variety of applications on electrically non-conductive substrates / materials such as plastics, ceramics, glass, natural fibres, leather, textiles etc. When using the 'Standard' exchange module, a working distance of approx. 2 to 10 mm must be maintained.

Electrically conductive substrates such as metals or conductive polymers cannot be treated reliably with this nozzle.

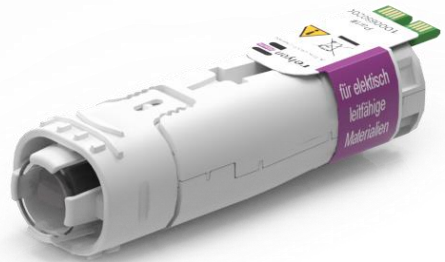
When treating electrically conductive substrates and materials, sparkovers can occur if they are too close together. In such cases, the device will stop plasma generation after approx. 0.5 seconds.



7.8 Working with the 'Nearfield' exchange module

The 'Nearfield' exchange module was developed specifically for the treatment of electrically conductive substrates / materials such as metals or conductive polymers. Partially conductive material such as carbon fibre-reinforced plastic (CFC) should also be treated using this exchange module.

The device can only generate surface activation if there is an electrically conductive substrate in front of the device within the range of the permissible working distance. This measures approx. 0.5 to 2.0 mm. If the gap is wider, depending on the material and form of your substrate, there are circumstances where no plasma generation can take place. If the distance chosen is too great, the device stops plasma generation automatically after 5 seconds.



Caution – Hot surface!

The exchange modules can become hot due to operation. Do not touch them until they have cooled down, and ensure when working with exchange modules that they do not damage surfaces that are not sufficiently heat-resistant.

7.9 Working with different exchange modules

Please consult the relevant operating manuals provided with these modules.

8 Taking out of service

- Apply a voltage of 0 V to the 'Plasma On' switch input.
- To reduce superfluous power consumption, after extended periods of downtime, it is advisable to deactivate the 24 V power supply.

9 Maintenance

9.1 Cleaning

- Only clean the outside of the device.
- Ensure that the device is disconnected from its power supply.
- Only clean the device with a cloth dampened in water. Do not use solvents to clean the device.
- Do not clean the piezo element.

9.2 Replacing an exchange module

Depending on the application, exchange modules can wear down and should be replaced to ensure a consistent level of activation. Proceed as described in Point 7.4.

With reference to the exchange modules, the availability of the system is described in terms of Mean Time to Failure (MTTF).

Due to the different integration situations and processes, these values can only be taken as approximate guide values that need to be defined under laboratory conditions. Due to the mode of operation and the device, the device may be subjected to certain kinds of process feedback which can affect the load capacity of the exchange modules.



Attention – System availability

To keep downtime on the system to a minimum, we advise keeping a certain number of exchange modules in stock.

For the Standard module, the MTTF is 3,000 operating hours. For the Nearfield module, the MTTF is 2,000 operating hours.

Please refer to the separate data sheets and/or manuals for these modules to obtain values for other modules.

You can source replacement modules directly from **relyon plasma** GmbH. To optimise our exchange modules, we evaluate the ones that are returned to us. Please contact us and return your defective or replaced exchange modules to us for analysis.



Attention – Damage to device!

Never touch the piezo element on the front side of the device with sharp-edged objects. This component may be damaged by improper handling.

Fault/Error	Cause	Rectification
Device cannot be activated or plasma runs out during operation.	Faulty power supply.	Check the power supply.
	Mains fuse was triggered.	Check mains fuse.
	Plug connection on the connecting lines does not form a contact.	Check that all plug connections are attached properly and that the cap nuts are hand-tightened.
	There is an internal error.	De-energise the device. Switch on again.
	Piezo element broken. The exchange module must be replaced.	Remove the defective module and install a new one.
The device cannot be activated or plasma runs out during operation and a level of 24V is present on the 'Error' pin.	The device has detected an error and is in fault mode.	On the actual device, test the status of the LED display, then proceed accordingly with the following points.
Plasma runs out during operation and the device displays the LED error code 'Plasma fault' (see chapter 7.1)	Device does not find a permissible operating frequency.	Piezo element broken. Remove the defective module and install a new one. Reset the error as described in Point Fehler! Verweisquelle konnte nicht gefunden werden..
	Sparkovers on conductive substrate with e.g. 'Standard' exchange module.	Use an appropriate module for the substrate, e.g. 'Nearfield' module. Reset the error as described in Point 7.2.
	Do not use a conductive substrate, e.g. close to the 'Nearfield' exchange module.	Reduce the distance from the substrate or use an appropriate module for the substrate, e.g. 'Standard' module. Reset the error as described in Point 7.2.
As above, the device display shows this LED error code: 'Fan fault' (see chapter 7.1)	The fan is defective.	Please contact After-Sales Service.
As above, the device display shows this LED error code: 'Temperature fault' (see chapter 7.1)	The interior of the device has reached an unacceptably high temperature.	Let the device cool down. Check to ensure that the air intake and the nozzle outlet are not obstructed during treatment. Reset the error as described in Point 7.2.
As above, the device display shows this LED code: 'No module detected' (see chapter 7.1)	Exchange module not installed or not detected.	Check to ensure that an exchange module is installed and that it is seated deeply enough in the device. If necessary, remove the exchange module and reinstall it. If necessary, install a new exchange module.

If the problem cannot be remedied by any of these procedures, please contact **relyon plasma GmbH**.

11 Environment

11.1 Disposal



Be mindful of the environment.

Used electrical and electronic equipment must not be disposed of along with normal waste.

- This device contains valuable materials that can be recycled. Take the device to a suitable collection point.

Please return defective or replaced exchange modules to **relyon plasma** GmbH for analysis. Please contact us before doing so.

12 Conformity/Standards

12.1 CE



We declare CE conformity.

The product name can be found on the device's name plate.

12.2 FCC



We declare compliance with FCC standards.

This device is compliant with the FCC specifications from 'Part 15' and 'Part 18'.

12.3 Product standards

The device satisfies the following requirements and standards:

EMC	EN 55011:2016 + A1:2017 Group 2 Class A
	EN 61000-6-2:2005
	EN 61000-3-2:2014
	EN 61000-3-3:2013
LVD	EN 61010-1:2010
RoHS	EN IEC 63000:2018-12
FCC	Part 15 and Part 18

13 Spare parts

Item number	Description
1000650100	'Standard' exchange module (wearing part)
1000650200	'Nearfield' exchange module (wearing part)
1000650300	'Multigas' exchange module (wearing part)
1000650400	'Needle' exchange module (wearing part)
1000650500	'Nearfield Needle' exchange module (wearing part)

14 Optional accessories

Item number	Description
1000700100	PZ3-i connection lines

relyon plasma GmbH
A TDK Group Company

Osterhofener Strasse 6
93055 Regensburg
Germany

Phone: +49-941-60098-0

Fax: +49-941-60098-100

E-mail: info@relyon-plasma.com

<https://www.relyon-plasma.com>



Are you already familiar with our other products?

piezo brush® PZ3



The PZ3 piezobrush® is a compact hand-held plasma device that was developed for use in laboratories, advance development and installation in short production runs. With a maximum power consumption of 18 W, Piezoelectric Direct Discharge (PDD®) technology is used to generate cold-active plasma at a temperature of less than 50°C.

plasma brush® PB3



The PB3 plasmabrush® is the high-performance plasma system for fast inline processes that require the highest performance. The PB3 plasmabrush® is widely used in the automotive, packaging and printing sectors.

plasma tool



The plasmatool is designed as a high-performance hand-held unit for the plasma treatment of workpieces that cannot be machined due to their size or mobility. This means that plasma treatment is possible anywhere.

plasma cell P300

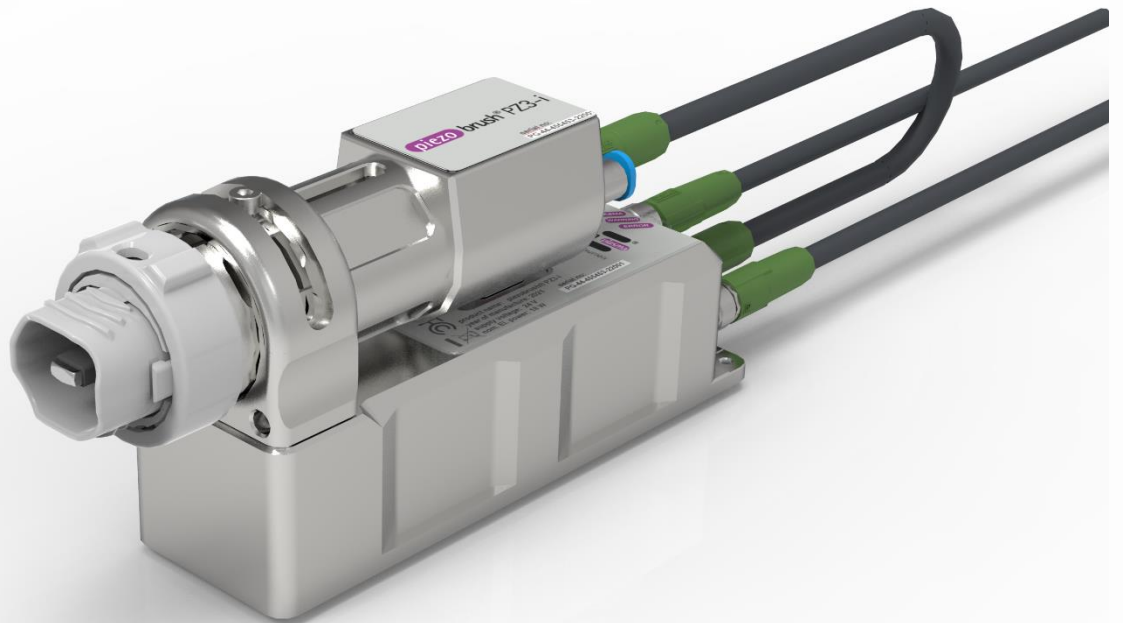


The plasmacell is an independent and compact plasma system used for simple and efficient plasma treatment of small to medium-sized components. The integrated software system facilitates process monitoring.

piezo brush[®] PZ3-i

Betriebsanleitung

piezobrush[®] PZ3-i Integrationseinheit



Wir freuen uns, dass Sie sich für ein Markengerät der Firma **relyon plasma** GmbH entschieden haben und danken Ihnen für das entgegengebrachte Vertrauen. Um das Gerät optimal nutzen zu können, lesen Sie bitte die Betriebsanleitung sorgfältig durch.

DE



Wichtiger Hinweis!

Lesen Sie diese Anleitung unbedingt vor Montage, Installation und Inbetriebnahme gründlich durch!

Beachten Sie unbedingt die Sicherheitshinweise! Nichtbeachten der Sicherheitshinweise kann zu Unfällen führen und schwere Schädigungen an Mensch und Maschine verursachen.

Unterweisen Sie das Personal! Der Betreiber/Benutzer ist dafür verantwortlich, dass das Personal die Bedienung des Gerätes und die Sicherheitsbestimmungen vollständig verstanden hat.

© Copyright **relyon plasma** GmbH 2022.

Alle Rechte vorbehalten.

Texte, Bilder und Grafiken sowie deren Anordnung unterliegen dem Schutz des Urheberrechts und anderer Schutzgesetze. Weitergabe sowie Vervielfältigung dieses Dokuments, Verwertung und Mitteilung seines Inhalts sind verboten, soweit nicht ausdrücklich gestattet. Zuwiderhandlungen verpflichten zu Schadenersatz. Alle Rechte für den Fall der Patent-, Gebrauchsmuster- oder Geschmacksmustereintragung vorbehalten.

Originalbetriebsanleitung

1	Sicherheit	39
1.1	Restgefährdungen.....	39
1.2	Hinweise und Pflichten für den Betreiber.....	41
1.3	Unzulässige Betriebsbedingungen	41
1.4	Emissionen.....	41
2	Gerätebeschreibung	42
2.1	Bestimmungsgemäße Verwendung.....	42
2.2	Lieferumfang	42
2.3	Gerätebeschreibung.....	43
2.4	Belegung der Anschlussleitungen.....	45
3	Technische Daten	46
4	Transport/Lagerung	46
5	Installation	47
5.1	Auspacken.....	47
5.2	Installationsvoraussetzungen.....	47
5.3	Positionierung der Komponenten.....	48
5.4	Montage der Komponenten.....	49
5.5	Anschließen der Gasversorgung.....	51
5.6	Anschließen eines Gerätes mit Digital-I/O-Kommunikation.....	51
5.7	Einstellung des Modulträgers.....	52
5.8	Installation mehrerer Geräte	54
6	Besondere Hinweise zum Einsatz des Plasmaprozesses	55
6.1	Allgemeine Beschreibung	55
6.2	Oberflächenbehandlung durchführen	56
6.3	Maßnahmen nach der Oberflächenbehandlung	56
7	Bedienung	57
7.1	LED Anzeige am Treibergehäuse.....	57
7.2	Schaltsignale	57
7.3	Fehlerquittierung	58
7.4	Einsetzen / Entnehmen des Wechselmoduls.....	58
7.5	Inbetriebnahme eines Gerätes mit Digital-I/O-Kommunikation.....	60
7.6	Umstellung des Fehlermodus	61
7.7	Arbeiten mit dem Wechselmodul „Standard“	62
7.8	Arbeiten mit dem Wechselmodul „Nearfield“	62
7.9	Arbeiten mit anderen Wechselmodulen	62
8	Außerbetriebnahme	63
9	Wartung	63
9.1	Reinigung	63
9.2	Austausch eines Wechselmoduls	63
10	Behebung von Störungen	64
11	Umwelt	65
11.1	Entsorgung.....	65
12	Konformität / Normen	65
12.1	CE	65
12.2	FCC	65
12.3	Produktnormen.....	66
13	Ersatzteile	66
14	optionales Zubehör	66

1 Sicherheit

Das Gerät ist nach den entsprechenden internationalen Normen gebaut. Wie bei jedem technischen Produkt können jedoch von der Anlage bei unsachgemäßer oder nicht bestimmungsgemäßer Benutzung Gefahren ausgehen.

Beachten Sie neben den Hinweisen in dieser Betriebsanleitung die allgemeingültigen Sicherheitsvorschriften.



Vorsicht - Gefahr!

Bitte beachten und befolgen Sie die Sicherheitshinweise und Aufforderungen in dieser Betriebsanleitung, da bei Nichtbeachtung schwere, unter Umständen tödliche Verletzungen im Umgang mit dem Gerät resultieren können.

1.1 Restgefährdungen

Dieses Gerät ist nach dem aktuellen Stand der Technik hergestellt. Trotzdem lassen sich Restrisiken nie ausschließen.

Beachten Sie unbedingt die folgenden Sicherheitshinweise:



Vorsicht – elektrische Spannung!

Dies ist ein Gerät der Schutzklasse III.

- Lassen Sie die Installation der elektrischen Leitungen durch eine Fachkraft durchführen

- Verwenden Sie nur PELV-Netzteile bzw. binden Sie das Gerät nur in einen PELV-Stromkreis ein.
- Lassen Sie eine Fachkraft prüfen, ob die Anforderungen an den Basisschutz und Fehlerschutz gemäß DIN VDE 0100-410 eingehalten werden

Gefahr durch elektrische Spannung. Wenn an den Leitungen Schäden sichtbar sind:

- Nehmen Sie das Gerät nicht in Betrieb.
- Lassen Sie die beschädigten Teile von einer Fachkraft reparieren oder tauschen Sie diese aus.

Gefahr durch Funken am Piezoelement und am zu behandelnden Substrat:

- Greifen Sie nicht in den Bereich der Plasmaentladung.
- Elektrisch leitfähige Substrate müssen geerdet oder gegen Berührung geschützt sein.
- Verwenden Sie keine brennbaren Gase als Prozessgase. Das Gerät ist nur für den Betrieb mit Druckluft oder Stickstoff zugelassen.
- brennbare oder thermisch sensible Materialien könnten sich entzünden oder beschädigt werden. Prüfen Sie ggf. die Verträglichkeit der Plasmabehandlung vorab. Behandeln Sie brennbare Substrate nie unbeaufsichtigt.



Stolpergefahr!

Verlegen Sie die Anschlussleitungen und die Gasleitungen in passenden Kabeltrassen. Verlegen Sie das Kabel so, dass keine Stolpergefahr besteht.



Achtung – Emissionen!

Beim Betrieb des Geräts können gefährliche Mengen des Reaktionsgases Ozon (O₃) sowie Stickoxide entstehen.

- Es können Ozonkonzentrationen von mehr als 0,2 mg/m³ entstehen.
- Beachten Sie, dass beim Gebrauch des Gerätes nationale Arbeitsschutzmaßnahmen eingehalten werden müssen.
- Verwenden Sie das Gerät nur in Verbindung mit einer geeigneten Absaugvorrichtung.
- Lassen Sie das Gerät nicht unbeaufsichtigt laufen.
- Richten Sie das Gerät im Betrieb nicht auf Personen.
- Um auszuschließen, dass bei einem Ausfall der Absaugung gefährliche Mengen an Ozon und Stickoxiden entstehen können, empfehlen wir die Absaugleistung im Prozess zu überwachen und die Plasmaerzeugung nur bei aktiver Absaugung freizugeben.
- Aufgrund der korrosiven Wirkung von Ozon empfehlen wir, eine geeignete Absaugung möglichst nahe am Düsenaustritt zu positionieren um Korrosion/Schäden an anderen Geräten/Oberflächen durch den Kontakt mit Ozon zu vermeiden

DE



Achtung – Geräteschäden!

Der Plasmaerzeuger kann beschädigt werden, wenn er ohne Gasfluss betrieben wird. Hierdurch würde der im Betrieb nötige Zufluss von Kühlmedium unterbrochen werden.

- Überwachen Sie den Gasfluss und deaktivieren Sie das Gerät unmittelbar bei zu geringem oder unterbrochenem Gasfluss

Berühren Sie auf keinen Fall das Piezoelement am vorderen Ende des Geräts mit scharfkantigen Gegenständen. Diese Komponente kann durch unsachgemäßes Arbeiten beschädigt werden.

Schützen Sie den Plasmaerzeuger vor Stürzen oder anderen harten Schlägen, die die Elektronik oder das Piezoelement beschädigen können.



Achtung! Gerät für den Einsatz in industrieller Umgebung

Aufgrund der auftretenden, leitungsgebundenen als auch gestrahlten Störgrößen können in Verbindung mit diesem Gerät möglicherweise Schwierigkeiten auftreten, die elektromagnetische Verträglichkeit in anderen Umgebungen sicherzustellen.



Vorsicht – heiße Oberfläche!

Die Wechselmodule können durch den Betrieb heiß werden. Berühren Sie diese erst nach Abkühlung und achten Sie bei der Arbeit mit den Wechselmodulen darauf, thermisch empfindliche Oberflächen nicht zu schädigen.

Das zu behandelnde Werkstück kann sich ebenfalls durch den Plasmaprozess je nach Prozessparameter erwärmen. Lassen Sie gegebenenfalls das Werkstück abkühlen, bevor Sie es anfassen.

1.2 Hinweise und Pflichten für den Betreiber

- Es ist grundsätzlich mit Störaussendungen zu rechnen.
 - Das Gerät ist gemäß EMV-Verordnung geprüft.
 - Der Betreiber hat die elektromagnetische Verträglichkeit mit anderen elektrischen und elektronischen Geräten in unmittelbarer Nähe zu überprüfen und sicherzustellen.
- Stellen Sie sicher, dass:
 - dass Bedienpersonal diese Betriebsanleitung gelesen und verstanden hat.
 - In der Nähe des Geräts befindliche Personen ebenfalls auf Gefahren hingewiesen und mit den nötigen Schutzmitteln ausgerüstet werden.
 - Instandhaltungsarbeiten nur von qualifiziertem Fachpersonal durchgeführt werden.
- Unterweisen Sie das Bedienpersonal insbesondere über die Sicherheitshinweise in dieser Betriebsanleitung.
- Halten Sie das Gerät stets in einem funktionstüchtigen Zustand.
- Modifikationen am Gerät führen zum Erlöschen der Betriebserlaubnis und der Gewährleistung. Ausnahme: Die Änderungen sind ausdrücklich vom Hersteller erlaubt.

1.3 Unzulässige Betriebsbedingungen

Der Betrieb des Geräts ist unter den folgenden Bedingungen unzulässig:

- Einsatz in explosionsgefährdeten Bereichen (EX).
- bei starken Staubablagerungen.
- bei zu hoher Luftfeuchtigkeit (s. Kapitel 3).
- bei Aufstellhöhen höher als 2.000 m über dem Meeresspiegel.
- bei starken Vibrationen.
- im Außenbereich

1.4 Emissionen

Vom Plasmaerzeuger gehen die folgenden Emissionen aus:

- Ozon (O₃)
- Stickoxide (NO_x)

Prozessmedium	Gasfluss	Emission/Produktionsrate
Luft (Druckluft)	10 l/min	Ozon < 0,1 g/h
Luft (Druckluft)	10 l/min	NO ₂ < 5 mg/h
Luft (Druckluft)	10 l/min	N ₂ O < 1 mg/h

i

Hinweis!

Als Vorsichtsmaßnahme ist eine Absaugung mit einem Fördervolumen von ca. der 10-fachen Menge des gesamten Gasflusses durch das Gerät (bzw. die Geräte) in unmittelbarer Nähe des Plasmaaustritts empfehlenswert.

Um auszuschließen, dass bei einem Ausfall der Absaugung gefährliche Mengen an Ozon entstehen können, empfehlen wir die Absaugleistung im Prozess zu überwachen und die Plasmaerzeugung nur bei aktiver Absaugung freizugeben.

2 Gerätebeschreibung

2.1 Bestimmungsgemäße Verwendung

Das Gerät ist eine Integrationseinheit zur Erzeugung einer sogenannten „kalten“ Entladung, im Folgenden auch „Plasma“ genannt. Er ist zur stationären Befestigung in Maschinen oder zur Befestigung in Verfahreinheiten vorgesehen und dient der Vorbehandlung verschiedenster Materialoberflächen vor Prozessschritten wie etwa dem Verkleben oder Bedrucken. Darüber hinaus kann auch die reinigende Wirkung des Plasmas genutzt werden.

Verwenden Sie das Gerät nur für die vorgesehenen Tätigkeiten. Missachtung kann zur Einschränkung der Produkthaftung führen.

2.2 Lieferumfang

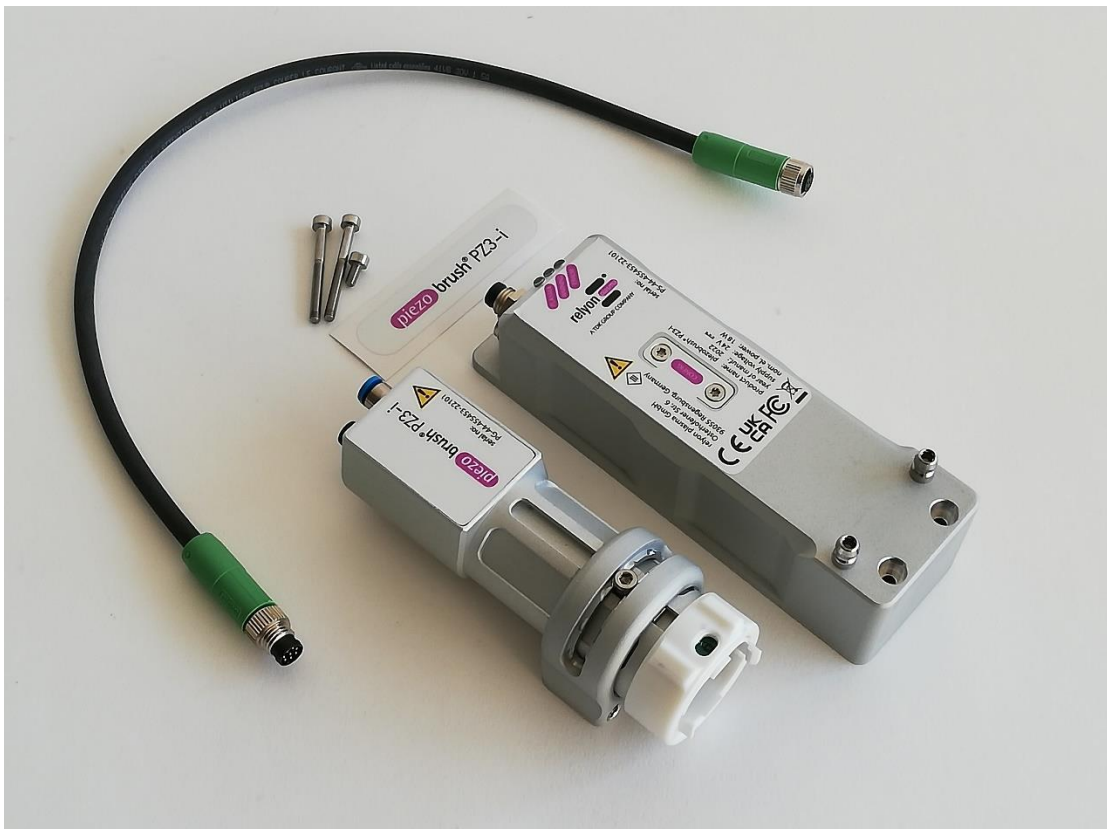
piezobrush®PZ3-i Integrationseinheit (1000 7000 00)

Der Lieferumfang umfasst die folgenden Komponenten:

- Plasmaerzeuger/Integrationseinheit (bestehend aus Treibereinheit und Modulträger)
- Verbindungsleitung zwischen Treibereinheit und Modulträger (Länge 0,3 m)
- Montageschrauben (2 St. M3x30; 1 St. M3x6)
- Betriebsanleitung

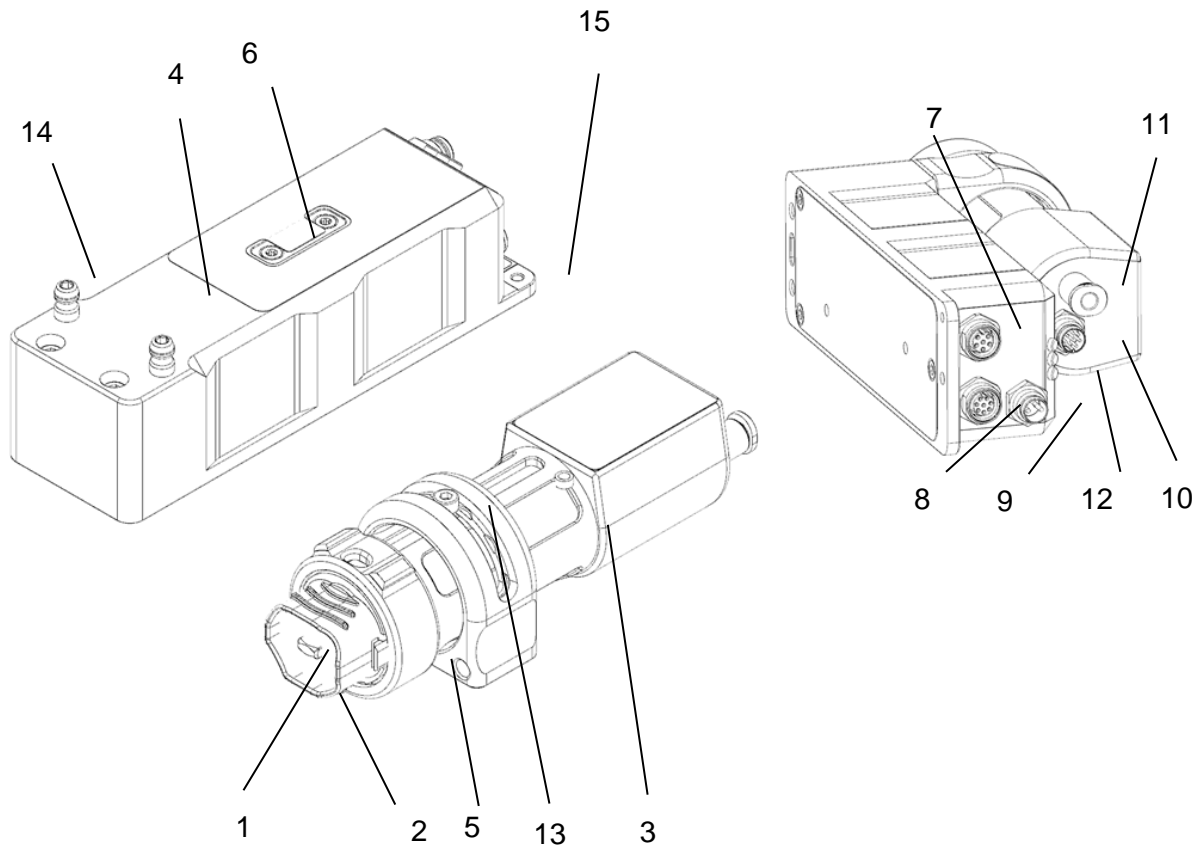
Nicht enthalten:

- Netzteil / Spannungsversorgung
- Anschlussleitungen DC und Kommunikation
- Wechselmodul

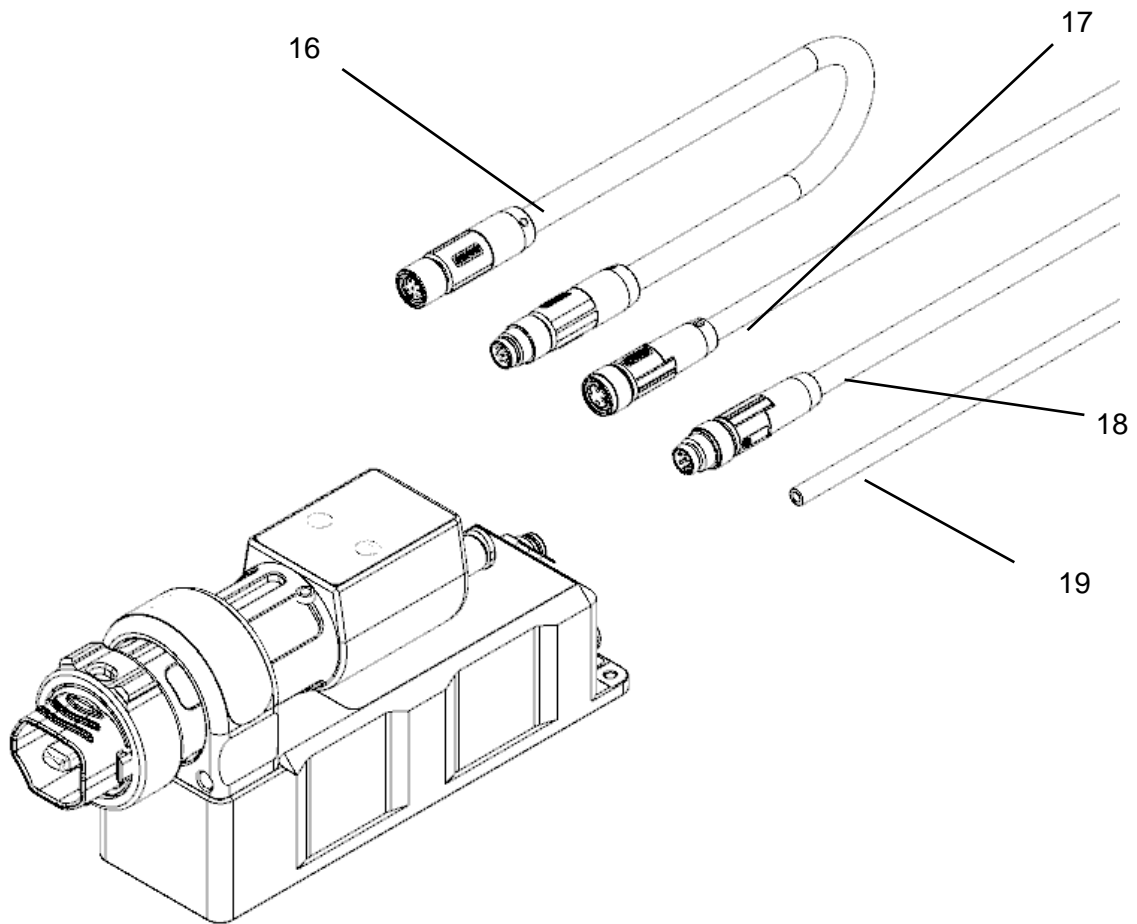


2.3 Gerätebeschreibung

Folgend werden die Einzelteile des Gerätes schematisch dargestellt und benannt. An entsprechender Stelle der Betriebsanleitung wird auf diese Bezeichnungen zurückgegriffen



Nr.	Bauteil-Bezeichnung
1	Wechselmodul „Standard“ (im Gerät eingesetzt dargestellt; nicht enthalten)
2	Piezoelement (fest im Wechselmodul verbaut)
3	Integrationseinheit (Modulträger)
4	Integrationseinheit (Treibergehäuse)
5	Arretierring
6	Abdeckung CONFIG
7	Schnittstelle „Digital I/O“
8	Schnittstelle „Module out“
9	Schnittstelle „DC in“
10	Schnittstelle „Module in“
11	Schnittstelle „Gas in“
12	LED Statusanzeige (3 LED: Plasma / Warning / Error)
13	Justageschraube Modulträger
14	Aufnahimestifte Modulträger
15	Funktionserd-Anschluss (M3)



Nr.	Bauteil-Bezeichnung
16	Verbindungsleitung Modul (8-polig, Länge 0,3 m)
17	Anschlussleitung DC (3-polig, nicht enthalten)
18	Anschlussleitung Kommunikation (6-polig, nicht enthalten)
19	Gasschlauch Außendurchmesser 4 mm (nicht enthalten)



Achtung!

Das Piezoelement ist ein oszillierendes Bauteil, das mit hoher Frequenz mechanisch schwingt. Bauartbedingt kann dieses Bauteil nicht starr fixiert werden. Daher kann das Bauteil in den Wechselmodulen in gewissen Grenzen außermittig liegen. Dies ist kein Fehler oder Qualitätsmangel.

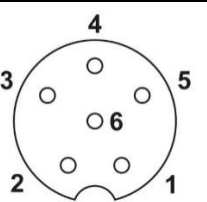
Durch die Schwingung können unter Umständen auch hörbare Frequenzen auftreten. Auch dies ist normal und kein Fehler oder Qualitätsmangel.

2.4 Belegung der Anschlussleitungen

Die Anschlussleitung DC ist folgendermaßen zu belegen:

	#	Farbe	Signal
	1	braun	24V DC
	3	blau	GND
	4	schwarz	Nicht belegt

Die Anschlussleitung Kommunikation ist folgendermaßen zu belegen:

	#	Farbe	Signal
	1	braun	Plasma ein (Eingang 0 bis 10 V analog, bis 24 V spannungsfest)
	2	weiß	Plasma OK (Ausgang 0 V / 24 V bei max. 20 mA)
	3	blau	Error (Ausgang 0 V / 24 V bei max. 20 mA)
	4	schwarz	Nicht belegt
	5	grau	GND
	6	rosa	Nicht belegt

Spezifikation für Anschlussleitungen:

	Anschlussleitung DC	Anschlussleitung Kommunikation
Norm	M8-Steckverbinder IEC 61076-2-104	
Polzahl	3	6
Kopfform	Buchse/female	Stecker/male
Bemessungsspannung DC [V]	60	30
Bemessungsstrom [A]	4	1,5
Kodierung	A /Standard	A/ Standard
Leitungsquerschnitt	3x 0,25 mm ²	6x 0,14 mm ²
Maximale Länge	30 m	30 m



Vorsicht – elektrische Spannung!

Der Anschluss der Adern an das Netzteil bzw. die Anlagensteuerung darf nur durch zuständige Elektrofachkräfte vorgenommen werden!

Wenn an den Leitungen Schäden sichtbar sind:

- Nehmen Sie das Gerät nicht in Betrieb.
- Lassen Sie die beschädigten Teile von einer Fachkraft reparieren oder tauschen Sie diese aus.

Elektrische Daten			
• Versorgungsspannung	24 V DC		
• Leistungsaufnahme	max. 18 W		
• Ausführung	Integrationseinheit mit Gasanschluss		
• Überspannungskat.	Kategorie I (DIN EN 60664-1 VDE 0110-1)		
Abmessungen			
• Gewicht	370 g Gesamtgerät mit Modul, ohne Anschlussleitungen (178 g Modulträger / 202 g Treibereinheit)		
• Abmessungen	40 x 150 x 72 mm (BxHxT); ohne Anschlussleitungen / Modul		
• Kabellänge	0,3 m		
Typische Anwendungsparameter (Beispielhaft für Wechselmodul Standard)*			
Anwendungsbereich	Feinreinigung	Kleben	Drucken
• Plasmatemperatur*	< 50 °C (bei 5mm Abstand)		
• Behandlungsabstand*	2 – 10 mm		
• Behandlungsbreite*	Druckluft 5 bis 29 mm; Stickstoff 5 bis 50 mm		
• Geschwindigkeit*	1-15 mm/s	10-150 mm/s	100-1500 mm/s
Betriebsbedingungen			
• Luftfeuchtigkeit	< 80 % rel. (nicht kondensierend)		
• Temperatur	10 – 40 °C; 50 – 104 °F		
• Verschmutzungsgrad	2		
Lagerbedingungen			
• Luftfeuchtigkeit	< 80% rel. (nicht kondensierend)		
• Temperatur	0 – 60 °C; 32 – 140 °F		
Gasanschluss			
• Gasarten	-Druckluft (gereinigt, öl- und schmiermittelfrei) -Stickstoff (Technische Gase, partikel- und ölfrei) -weitere Gasarten nur nach Freigabe von relyon plasma .		
• Gasdurchfluss / -vordruck	8 bis 20 l/min; max. 2 bar		
• Qualität	Druckluft 1.4.1 nach ISO 8573.1 Stickstoff 2.8 (N2) nach DIN EN ISO 14175:N1		
• Anschluss	Schlauch-Außendurchmesser Ø 4 mm (Schnellkupplung)		

* Diese Werte dienen als grobe Richtlinie. Je nach Ausgangsmaterial, Prozessparametern, Folgeprozess und Prozessanforderung können die tatsächlichen Parameter in beide Richtungen deutlich von den angegebenen typischen Behandlungsgeschwindigkeiten abweichen (siehe hierzu auch Kapitel 6). Durch die geringe Plasmatemperatur von unter 50 °C ist eine langsamere Behandlungsgeschwindigkeit als nicht kritisch anzusehen.

4 Transport/Lagerung

- Lagern Sie das Gerät an einem trockenen Ort. Dies schützt das Gerät vor Korrosion der elektrischen Kontakte.
- Schützen Sie das Gerät vor Verschmutzungen und Fremdkörpern.
- Schützen Sie das Gerät vor Stürzen oder anderen harten Schlägen.

5 Installation



Achtung – Geräteschäden!

Zur Vermeidung von Geräteschäden beachten Sie unbedingt die Hinweise zur Bedienung in Kapitel 7.

5.1 Auspacken

- Öffnen Sie vorsichtig die Verpackung. Beachten Sie hierbei die Richtungshinweise auf der Verpackung.
- Nehmen Sie das Gerät samt Kleinteile aus der Verpackung.

5.2 Installationsvoraussetzungen

Bevor Sie das Gerät installieren, müssen die folgenden Punkte erfüllt sein:

- Das Gerät muss unbeschädigt sein.
- Lassen Sie das Gerät sich vor Inbetriebnahme mindestens eine Stunde an seinem Installationsort akklimatisieren, um etwaige Temperaturunterschiede durch Lagerung oder Transport auszugleichen
- Stellen Sie eine Spannungsversorgung (SELV/PELV) bereit, die die folgenden Anforderungen erfüllt
 - Output Voltage: 24V +/- 5%
 - Output Ripple: <1%
 - Leistung: mind. 15 W / max. 18 W (pro Gerät)
 - Maximaler Strom darf pro Gerät 750 mA nicht überschreiten. Dies ist durch eine entsprechende Vorsicherung sicherzustellen
- Stellen Sie eine entsprechende Gasversorgung bereit (siehe Punkt 3). Stellen Sie durch die Installation eines vorgeschalteten Druckminderers sicher, dass am Gerät nie ein Druck größer 2 bar anliegt.
- Stellen Sie eine entsprechende Absaugung bereit (siehe Punkt 1.4).
- Stellen Sie die entsprechenden Anschlussleitungen bereit (siehe Punkt 2.4)
- Stellen Sie durch eine Überwachung der Gasversorgung und der Absaugleistung sicher, dass das Gerät nur die Plasmaaktivierung starten kann, wenn die Gasversorgung und die Absaugleistung in ausreichender Menge vorhanden sind.
- In der festverlegten Installation bzw. in der Gebäudeinstallation ist ein nach den Vorgaben der jeweiligen nationalen Sicherheitsvorschriften (Deutschland: VDE 0100) geeigneter Schalter oder Leistungsschalter als vorgeschaltete allpolige Trennvorrichtung vorzusehen, um das Gerät von der Versorgungsspannung trennen zu können. Diese Trennvorrichtung ist in der Nähe des Gerätes anzuordnen und muss für den Benutzer leicht erreichbar sein. Außerdem ist dieser Schalter als Trennvorrichtung für das Gerät zu kennzeichnen.
- Das Gerät gibt seine Abwärme am effizientesten über die Geräterückseite über Wärmeleitung ab. Befestigen Sie das Gerät für eine ideale Wärmeabfuhr auf einem gut wärmeleitenden Material (z.B. Aluminium)

5.3 Positionierung der Komponenten

Bei der Positionierung des Gerätes sind folgende Punkte zu beachten:

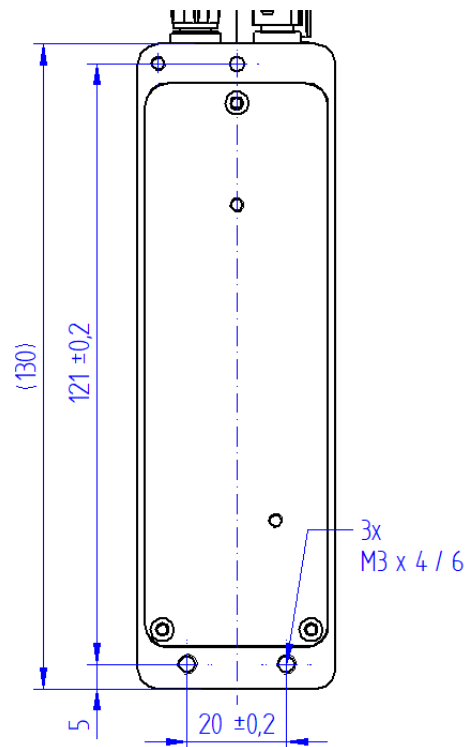
- Der Abstand der Piezoelemente zueinander muss mindestens 40 mm von Mitte zu Mitte betragen. Durch die Gehäusebreite von 40 mm stellt sich bei einer Anreihung nebeneinander dieser Mindestabstand automatisch ein. Achten Sie jedoch darauf im Falle einer anderen Anordnung darauf, dass die Austritte der Module auch in diesem Falle zueinander mindestens 40 mm Abstand einhalten.

Bei einer Positionierung der Geräte derart, dass sich die Plasmaaustrittsöffnungen stirnseitig gegenüberstehen, können je nach Modultyp größere Mindestabstände erforderlich sein. Kontaktieren Sie uns hierfür gegebenenfalls.

- Im Bereich des Wechselmoduls, welcher vorne aus dem Modulträger herausragt, dürfen keine elektrisch leitfähigen Gegenstände oder andere aktive Piezoelemente näher als 40 mm positioniert sein.
- Positionieren Sie eine Absaugung, wenn möglich nahe an der Plasmaentladung. Beachten Sie, dass Ozon ein korrosives Gas ist und auch der abgesaugte Gasstrom überstrichene Flächen korrodieren kann. Beachten Sie für die Absaugmenge auch Punkt 1.4
- Die Wärmeabfuhr des Gerätes erfolgt passiv über das metallische Gehäuse. Bei erhöhten Umgebungstemperaturen ist besonders darauf zu achten, dass das Gerät an einer gut wärmeleitfähigen Aufnahme befestigt ist (z.B. aus Aluminium).
- Verlegen Sie die Kabel so, dass diese Zugentlastet sind, über keine scharfen Kanten geführt werden, keine Stolpergefahr darstellen und nicht unnötig viel bewegt werden.



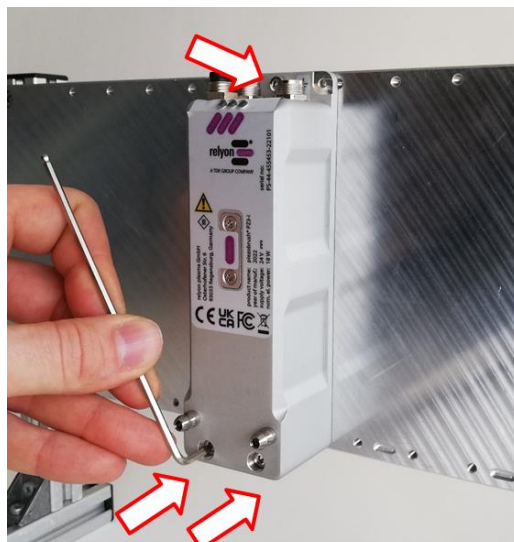
- Das Gerät muss entweder so positioniert werden, dass bei einer Wartung das Wechselmodul aus dem Modulträger herausgezogen werden kann oder alternativ so, dass der Modulträger wie unter 7.4 beschrieben abgenommen werden kann.
- Für die Montage des Gerätes sind drei Gewindebohrungen M4 (mind. 4 mm Gewindetiefe) gemäß untenstehender Zeichnung erforderlich.



5.4 Montage der Komponenten

5.4.1 Montage bei Positionierung des Modulträgers direkt auf dem Treibergehäuse

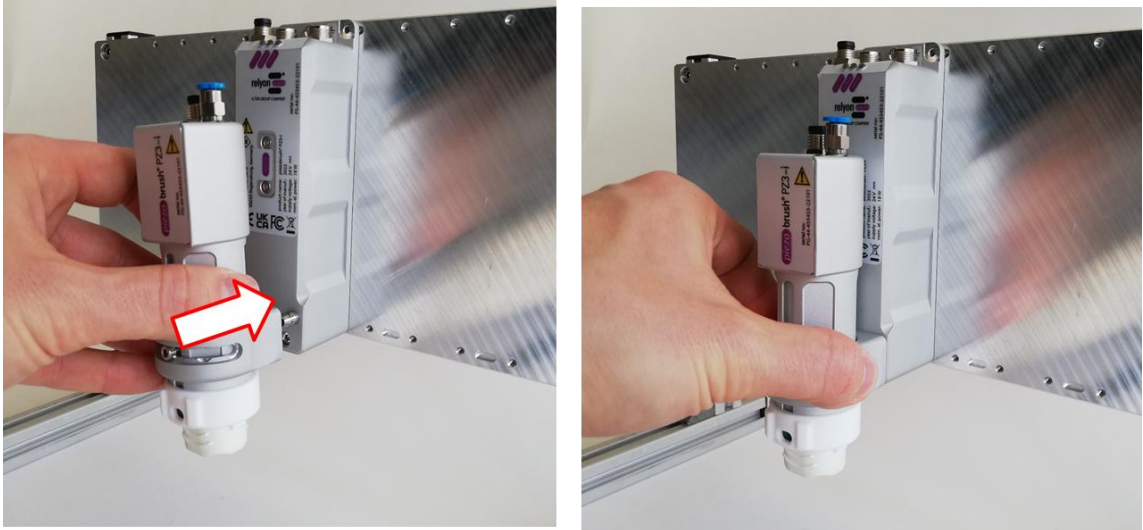
Befestigen Sie das Treibergehäuse an Ihrer Aufnahmefläche mit den beiliegenden Montageschrauben (SW 2,5).



Drehen Sie den Arretierring am Modulträger nach links in die Position „offen“ (rot). Setzen Sie das gewünschte Wechselmodul in den Modulträger ein. Greifen Sie es hierzu von außen im vorderen Bereich wie im Bild dargestellt, ohne das Piezoelement zu berühren. Mit dem Aufkleber nach oben zeigend kann das Wechselmodul einfach in den Modulträger eingeschoben werden. Achten Sie darauf, dass das Wechselmodul so tief eingesetzt wird, wie im Bild dargestellt. Drehen Sie den Arretierring am Modulträger nach rechts in die Position „geschlossen“ (grün).



Greifen Sie den Modulträger wie abgebildet und setzen Sie ihn auf das Treibergehäuse auf, indem Sie ihn von vorne auf die beiden Aufnahmestifte schieben und dann bis zum Anschlag an das Treibergehäuse andrücken.



5.4.2 Montage bei separater Positionierung von Treibergehäuse und Modulträger

Befestigen Sie das Treibergehäuse wie unter 5.4.1 beschrieben.

Nehmen Sie die beiden Aufnahmestifte von der Vorderseite des Treibergehäuses ab (Innensechskant SW2,5)

Bereiten Sie eine Aufnahmebohrung entsprechend des Bohrbildes für die Modulaufnahme vor.

Schrauben Sie die beiden Aufnahmestifte in die Aufnahmebohrungen ein.

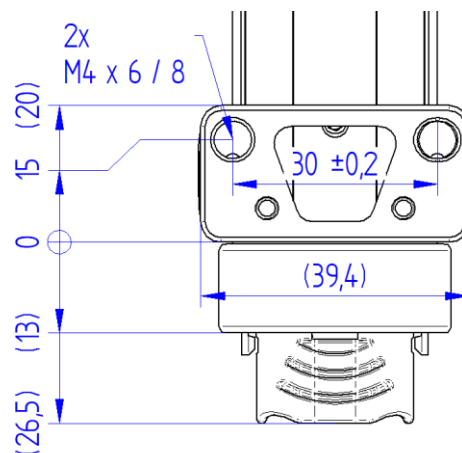
Setzen Sie das Modul wie unter 5.4.1 beschrieben in den Modulträger ein.

Setzen Sie den Modulträger auf die Aufnahmestifte auf und drücken Sie diesen bis zum Anschlag an.

Bitte beachten Sie, dass die EMV-Verträglichkeiten nur für Leitungslängen zwischen Modulträger und Treibergehäuse von 0,3 m gemessen wurden. Längen darüber hinaus können je nach Verlegung in Installation Abweichungen von diesen Messergebnissen verursachen und müssten im Zweifelsfall in der Integrationssituation selbst vom Anlagenbetreiber gemessen werden.

Bei beiden Montagevarianten können die beiden Gewindestifte an der Unterseite des Halterings für den Modulträger festgezogen werden, um die werkzeuglose Abnehmbarkeit des Modulträgers zu deaktivieren.

Dies wird empfohlen, wenn aufgrund der Einbausituation der Zugang zum Wechselmodul auch ohne die Abnahme des Modulträgers problemlos möglich ist.



5.5 Anschließen der Gasversorgung

Schließen Sie einen geeigneten Gasschlauch mit Außendurchmesser \varnothing 4mm an.

Drücken Sie diesen so tief in die Steckverschraubung, dass dieser fixiert ist. Prüfen Sie den festen Sitz des Schlauches, bevor Sie diesen mit Druck beaufschlagen.

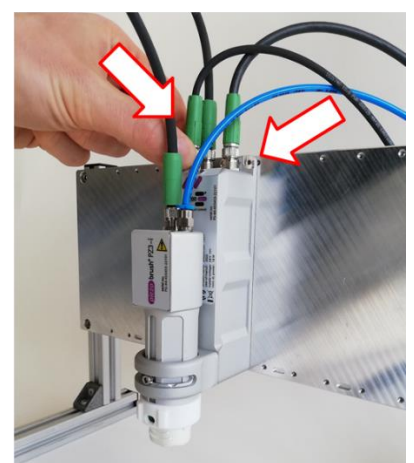
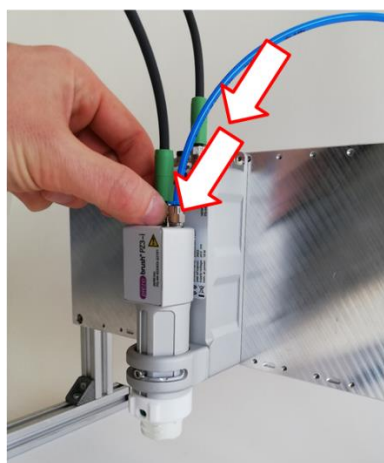
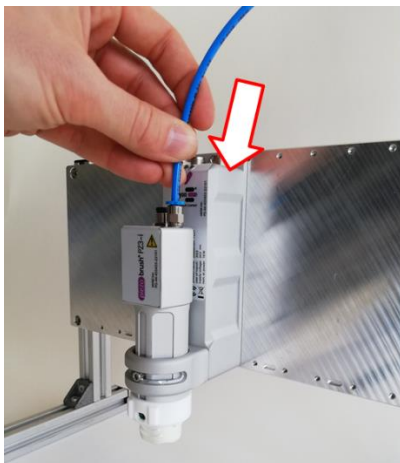
5.6 Anschließen eines Gerätes mit Digital-I/O-Kommunikation

Schließen Sie die Verbindungsleitung zwischen Modul und Treibergehäuse an. Ziehen Sie im Folgenden alle Überwurfmutter jeweils handfest an.

Schließen Sie die Anschlussleitung Kommunikation an das Treibergehäuse an.

Schließen Sie die Anschlussleitung DC an das Treibergehäuse an.

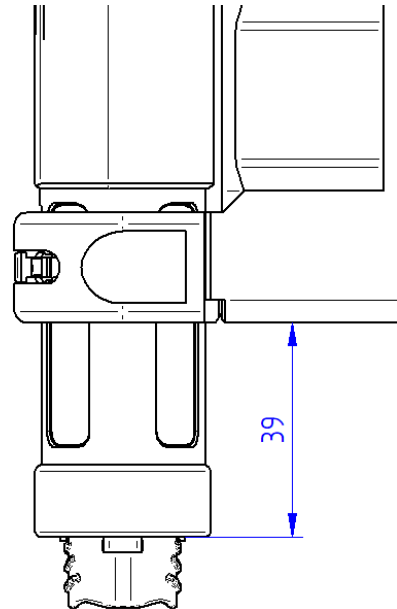
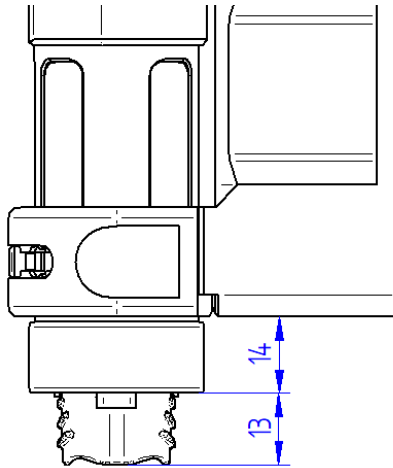
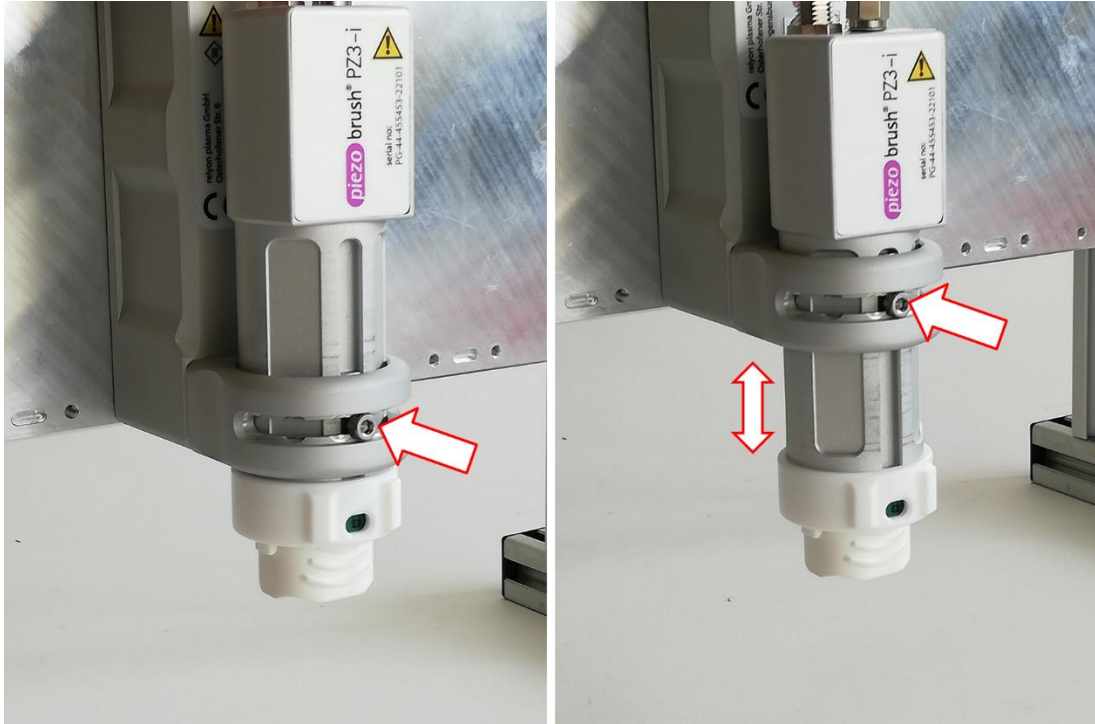
Schließen Sie den Potentialausgleich am Erdpotential an.



5.7 Einstellung des Modulträgers

• Höhe justieren

Der Modulträger lässt sich über die Justageschraube in der Höhe justieren. Lockern Sie diese und verschieben Sie den Modulträger auf die gewünschte Höhe. Ziehen Sie die Schraube in dieser Position wieder fest. Bitte beachten Sie, dass die unterschiedlichen Wechselmodul-Arten unterschiedliche weit aus dem Modulträger herausragen. Abbildung ist beispielhaft für Modul Standard.



• Winkel justieren

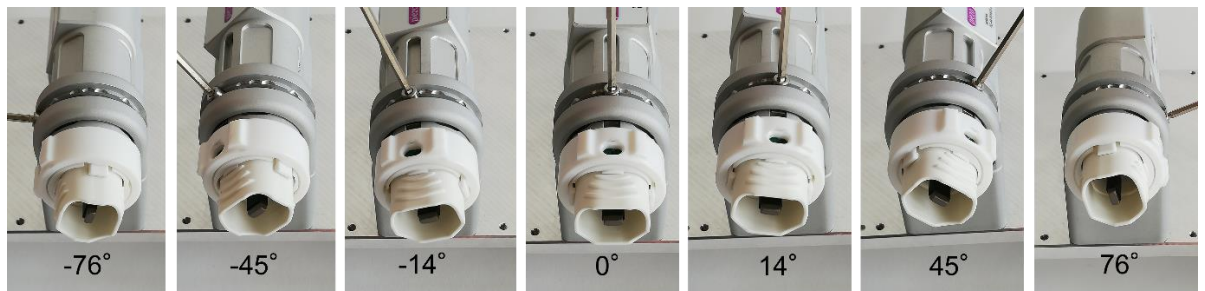
In der vertikalen Achse kann der Modulträger gegenüber dem Treibergehäuse verdreht werden.

Bauartbedingt hat das Piezoelement keinen kreissymmetrischen Querschnitt. Durch die Entladungsform ergeben sich optimale Winkel für möglichst homogene Aktivierungsergebnisse.

In Abhängigkeit von der Bewegungsrichtung des zu behandelnden Substrates gegenüber dem Gerät kann somit bei hohen Anforderungen an die Homogenität eine Optimierung des Anstellwinkels erfolgen.

Lockern Sie hierzu die Justageschraube so weit, dass der Schraubenkopf über die Senkungen in dem Ausschnitt bewegt werden kann.

Die vorkonfektionierten Winkel sind -76° , -45° , -14° , 0° , $+14^\circ$, $+45^\circ$ und $+76^\circ$.



Für optimale Homogenität bei maximaler Behandlungsbreite wählen Sie bitte einen Winkel von 45° .

Für optimale Homogenität bei maximaler Behandlungsintensität wählen Sie bitte einen Winkel von 14° / 76° (je nach Verfahrrichtung).

• Siegel-Aufkleber anbringen

Um ein versehentliches Verstellen dieser Einstellungen zu vermeiden, kann die Justageschraube mit dem beiliegenden Siegelaufkleber abgedeckt werden. Die Schnittstelle zum Modulträger bei einem Modulwechsel kann werkzeuglos und ohne Veränderungen an der Positionierung des Modulträgers erfolgen.



5.8 Installation mehrerer Geräte

Beachten Sie bei der Installation mehrerer Geräte unbedingt die Mindestabstände im Bereich der Wechselmodule. Bei Unterschreitung dieser Abstände können sich die Entladungen der einzelnen Wechselmodule gegenseitig stören und somit das Behandlungsergebnis verschlechtern oder sogar zu Geräteschäden führen.

Unten beispielhaft dargestellt ist eine Anreihlösung nebeneinander sowie eine Anreihlösung mit um die Hälfte versetzter Module an der Rückseite.



6 Besondere Hinweise zum Einsatz des Plasmaprozesses

6.1 Allgemeine Beschreibung

Eine Behandlung von Oberflächen mit atmosphärischem Plasma hat verschiedene Vorteile. Diese sind z.B. die Erhöhung der Oberflächenenergie, um eine bessere Oberflächenbenetzung zu erzeugen. Eine optimale Oberflächenbenetzung ist der erste und oft entscheidende Schritt, um einen guten Aufdruck, eine homogene Beschichtung, eine gleichmäßige Lackierung oder einen materialschlüssigen Klebstoffauftrag zu bekommen. Die Verbindung an dieser Grenzfläche bestimmt oft die Langlebigkeit und die Haftfestigkeit dieser Materialpaarung.

Atmosphärendruckplasma erhöht in vielen industriellen Prozessen den Durchsatz, bei gleichzeitiger Einsparung von Lösungsmitteln oder chemischen Primern. Wir haben unsere Plasmaprozesse erfolgreich in folgenden Anwendungsfeldern integriert:

- Feinstreinigung von Metall, Glas und Kunststoffen
- Oberflächenaktivierung und –Funktionalisierung für optimierte Benetzbarkeit
- Plasmaunterstützte Laminierprozesse
- Plasmaunterstützte Klebeverbindungen
- Dichten und Siegel
- Plasmainduzierte Reduktion von Metalloberflächen
- Chemiefreies Bleichen von Textilien
- Lebensmittelbehandlung für Qualität und Haltbarkeit
- Mehrkomponenten-Spritzguss

Praktisch alle technischen Materialklassen lassen sich effizient unter Atmosphärendruck bearbeiten:

- Metalle und Metalllegierungen
- Kunststoffe und Verbundwerkstoffe
- Glas, Keramik, anorganische Verbundwerkstoffe und Naturstein
- Naturleder und Kunstleder
- Naturfasern, Holz und Papier

Da die Plasmabehandlung stets nur ein Teil der gesamten Prozesskette ist, ist es wichtig, dass auch die darüber hinaus gehenden Einflussgrößen bekannt sind, um ein optimales Ergebnis zu erzielen.

Typische Einflussgrößen können sein:

- Plasmaprozess: Abstand zum Substrat, Geschwindigkeit, Leistungseinstellung, Gasart (Druckluft/Stickstoff), Gasfluss, Design der Wechselmodule
- Substrat / Werkstück: Materialzusammensetzung, Verschmutzung, elektrische Leitfähigkeit, thermische Leitfähigkeit, Feuchtegehalt
- Werkstück-Handling: Verschmutzung vor oder nach dem Plasmaprozess, Dauer zwischen Plasmaprozess und Folgeprozess

Behandlungsbeispiele können direkt bei der **relyon plasma** GmbH angefordert werden.

Weitere Informationen zu Anwendungen sowie Publikationen sind auf der Website www.relyon-plasma.com zu finden.

6.2 Oberflächenbehandlung durchführen

Je nach Art und Zustand Ihres Substrates kann eine Vorreinigung vor dem Plasmaprozess das Gesamtergebnis verbessern.

Der Effekt der Behandlung ist abhängig von **Arbeitsabstand, Behandlungsdauer, Geschwindigkeit und Gleichmäßigkeit der Bewegung sowie dem zu behandelnden Material.**

Behandlungsbeispiele können direkt bei der **relyon plasma** GmbH angefordert werden.

6.3 Maßnahmen nach der Oberflächenbehandlung

Um ein optimales Ergebnis zu erzielen ist es wichtig, dass nach der Plasmabehandlung möglichst wenig Zeit verstreicht und dass die behandelte Oberfläche nicht berührt oder verschmutzt wird.

Eine Reinigung der Oberfläche NACH der Plasmabehandlung ist nicht empfehlenswert.

Da sich das Werkstück je nach Art und Dauer des Plasmaprozesses erwärmen kann, kann es notwendig sein, das Werkstück erst abkühlen zu lassen, bevor der folgende Prozessschritt ausgeführt wird, um den Prozess durch den Wärmeeintrag nicht negativ zu beeinflussen (z.B. bei bestimmten Klebprozessen).



Vorsicht – heiße Oberfläche!

Das zu behandelnde Werkstück kann sich durch den Plasmaprozess je nach Prozessparameter erwärmen. Lassen Sie gegebenenfalls das Werkstück abkühlen, bevor Sie es anfassen.

7 Bedienung

7.1 LED Anzeige am Treibergehäuse

Für den Fall, dass durch einen Fehlerzustand das „Error“-Signal anliegt, kann über die LED-Anzeige am Treibergehäuse durch folgende Fehlercodes die Fehlerursache eingeschränkt werden:

	Gerät nicht bestromt	Legende: Aus Dauerlicht 2 Blinken (Anzahl)
	Gerät bereit	
	Gerät bestromt, kein Modul erkannt	
	Plasmaprozess läuft	
	Warnung: Plasmaprozess läuft, Plasma kritisch	
	Warnung: Plasmaprozess läuft, Temperatur kritisch	
	Fehler: Plasma	
	Fehler: Temperatur	

7.2 Schaltsignale

- **Plasma ein**

Analog-Eingang zum Starten der Plasmaerzeugung. Durch Signalspannung zwischen 3 V 10 V kann die Leistung wie in nebenstehender Tabelle dargestellt gesteuert werden.

Der Spannungswert für die gewünschte Leistung muss für die Dauer der Plasmaerzeugung dauerhaft anliegen.

Spannung	Leistung
0 V	Plasma aus
3 V	30 %
4 V	40 %
...	...
10 V	100%
größer 10 V (bis 24 V)	100%

und



Achtung

Das Signal „Plasma ein“ kann nur korrekt interpretiert werden, wenn es frühestens 100 ms nach dem Anliegen der 24 V Spannungsversorgung anliegt.

Die 24 V Spannungsversorgung muss auch mindestens 5 s nach dem deaktivieren des Plasmasignals noch am Gerät anliegen.

Stellen Sie sicher, dass das Signal Plasma ein nur bei ausreichender Gasversorgung und bei ausreichender Absaugleistung aktiviert werden kann. Wir empfehlen einen Gasvorlauf von 1 Sekunde und einen Gasnachlauf von mindestens 3 Sekunden.

Die kürzeste Taktzeit für das „Plasma ein“-Signal beträgt 500 ms. Bei kürzeren Taktzeiten erfolgt keine Zuverlässige Plasmaerzeugung. Das Anschwingverhalten des Piezotransformators erzeugt eine Verzögerung der Plasmaausbildung nach dem Schaltsignal.

- **Plasma OK**

Ausgang mit Rückmeldung über den Plasmazustand.

In einem zulässigen Betriebszustand liegen 24 V an diesem Ausgang an.

Im ausgeschalteten Zustand oder im Fehlerfall liegen 0 V an.

Maximale Belastbarkeit 20 mA.



Achtung

Das PlasmaOK Signal prüft lediglich, ob das Wechselmodul in einem zulässigen Feld von Betriebsparametern betrieben wird und eine Plasmaentladung stattfindet. Es prüft NICHT ob die Aktivierungsleistung auf dem Substrat ankommt bzw. ob der gesamte Prozess „OK“ ist.

- **Error**

Ausgang mit Rückmeldung über den Fehlerstatus.

Im Fehlerfall liegen 24 V an diesem Ausgang an.

In zulässigen Betriebszuständen liegen 0 V an.

Maximale Belastbarkeit 20 mA.

7.3 Fehlerquittierung

Der Fehlerstatus bleibt auch nach Deaktivierung des „Plasma ein“ Signals aktiv. Ein Zurücksetzen nach Behebung des Fehlers kann nur durch Wegnahme der 24 V Spannungsversorgung auf der Anschlussleitung DC erfolgen.

Für einen erneuten Start der Plasmaerzeugung muss das Schaltsignal „Plasma ein“ erneut eingeschalten werden.

7.4 Einsetzen / Entnehmen des Wechselmoduls

Die Wechselmodule sind zur einfacheren Unterscheidung mit Aufklebern in unterschiedlichen Farben versehen. Bitte entfernen Sie diese Aufkleber nicht.



Vorsicht – elektrische Spannung!

Stellen Sie sicher, dass die Stromversorgung bei einem Modulwechsel getrennt ist. Fassen Sie nicht in das Geräteinnere bei entnommenem Wechselmodul.



Vorsicht – heiße Oberfläche!

Manche Wechselmodule können durch den Betrieb heiß werden. Berühren Sie diese erst nach Abkühlung und achten Sie bei der Arbeit mit den Wechselmodulen darauf, thermische empfindliche Oberflächen nicht zu schädigen.

Um ein Wechselmodul einzusetzen, nehmen Sie dieses aus der Verpackung und greifen Sie es nur äußerlich im Bereich des Düsenaustritts, ohne dabei das Piezoelement zu berühren (Bild 1).

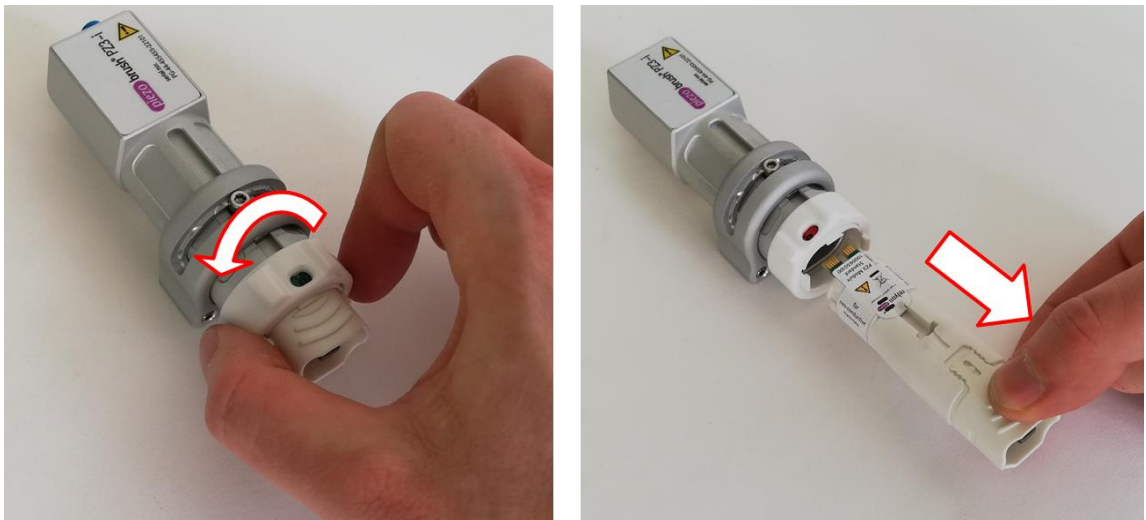
Achten Sie darauf, dass die Kontaktplatine des Wechselmoduls auf der gleichen Seite wie der Aufkleber des Modulträgers sein muss, damit das Einsetzen möglich ist.

Drehen Sie den Arretiering am Modulträger nach links in die Position „offen“ (rot). Setzen Sie das gewünschte Wechselmodul in den Modulträger ein. Greifen Sie es hierzu von außen im vorderen Bereich wie im Bild dargestellt, ohne das Piezoelement zu berühren. Mit dem Aufkleber nach oben zeigend kann das Wechselmodul einfach in den Modulträger eingeschoben werden. Achten Sie darauf, dass das Wechselmodul so tief eingesetzt wird, wie im Bild dargestellt. Drehen Sie den Arretiering am Modulträger nach rechts in die Position „geschlossen“ (grün).



Um ein Wechselmodul zu entnehmen, warten Sie zunächst, bis dieses abgekühlt ist. Je nach Wechselmodul kann der Betrieb zu einer deutlichen Erwärmung führen.

Drehen Sie den Arretierring am Modulträger nach links in die Position „offen“ (rot). Ziehen Sie das Wechselmodul nach unten aus dem Modulträger heraus. Greifen Sie es hierzu von außen im vorderen Bereich wie im Bild dargestellt, ohne das Piezoelement zu berühren.



Sollte aufgrund Ihrer Einbausituation das Wechselmodul im montierten Zustand nicht nach unten entnommen werden können, so ist der Modulträger samt Modul ohne Werkzeug abzunehmen. Um eine Beschädigung der Modulleitung zu vermeiden, empfehlen wir, diese vor Abnehmen des Modulträgers abzustechen.

Ziehen Sie den Modulträger nach vorne von der Treibereinheit ab und führen Sie dann das Entnehmen des Wechselmoduls wie oben beschrieben durch.

Der Modulträger kann ebenfalls ohne Werkzeug wieder auf das Treibergehäuse aufgesteckt werden.



Achtung – Geräteschaden!

Fassen Sie nicht in das Innere des Gerätes, wenn kein Wechselmodul eingesetzt ist, und führen Sie keine Gegenstände außer den dafür vorgesehenen Wechselmodulen in die Geräteöffnung ein.

Greifen Sie die Wechselmodule nur im vorderen Bereich wie oben beschrieben und vermeiden Sie Berührungen mit der Kontaktplatine und dem Piezoelement.

Setzen Sie die Wechselmodule vorsichtig ein und entnehmen Sie diese auch vorsichtig.

Inbetriebnahme eines Gerätes mit Digital-I/O-Kommunikation

- Stellen Sie sicher, dass ein Wechselmodul in dem Gerät eingesetzt ist.
- beachten Sie bitte die Hinweise bezüglich elektrisch leitfähiger Gegenstände (Bild 5 bis 8).
- Stellen Sie sicher, dass eine ausreichende Absaugung des Arbeitsbereichs gewährleistet ist.
- Stellen Sie sicher, dass die Gasversorgung des Modulträgers vorhanden ist.
- Stellen Sie sicher, dass die Versorgungsspannung von 24V anliegt.
- Legen Sie am Schalteingang „Plasma ein“ die gewünschte Spannung an.



Fassen Sie während der Plasmaerzeugung nicht in den Arbeitsbereich. Dies kann die Plasmaentladung stören und auch Hautirritationen verursachen bzw. als geringfügig schmerzhaft empfunden werden.



Achtung – Geräteschaden!

Das Gerät kann beschädigt werden, wenn es ohne Gaszufuhr betrieben wird. Hierdurch würde der im Betrieb nötige Zufluss des Kühlmediums unterbrochen werden.

Überwachen Sie den Gasfluss zum Modulträger und unterbrechen Sie die Plasmaerzeugung umgehend, wenn die Gasversorgung unterbrochen wird. Wir empfehlen, die Absaugleistung im Prozess zu überwachen und die Plasmaerzeugung nur bei ausreichender Gasversorgung freizugeben.

Das Gerät kann beschädigt werden, wenn sich elektrisch leitfähige Gegenstände näher als 40 mm im Bereich des vorderen Drittels des Gerätes befinden.

Ausnahme: Substrate vor dem Wechselmodul bei **Einsatz** von dafür vorgesehenen Modulen, z.B. Modul „Nearfield“.



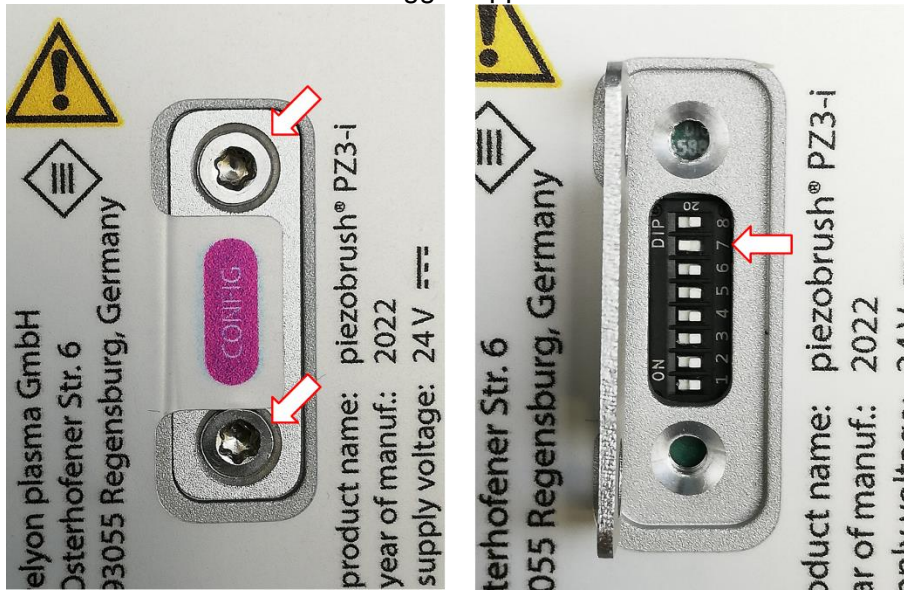
Hinweis!

Unter Umständen können die von dem Gerät erzeugten elektrischen Felder empfindliche elektronische Bauteile schädigen. Stellen Sie sicher, dass die Bauteile Ihrer Anwendung durch den Plasmaprozess nicht beeinträchtigt werden.

7.6

Umstellung des Fehlermodus

Die Umstellung des Fehlermodus erfolgt über einen DIP-Schalter an der Treibereinheit. Um diesen umstellen zu können, entfernen Sie die beiden Schrauben (Schlüssel TX8). Der Deckel kann dann seitlich weggeklappt werden.



Der Fehlermodus wird über den Schalter Nr. 7 umgestellt.

- Modus „Failure“: Schalter in Position „OFF“ / rechts (Auslieferungszustand)
Gerät geht bei Fehlererkennung unmittelbar in Zustand ERROR und stoppt die Plasmaerzeugung
- Modus „Warning“: Schalter in Position „ON“ / links
Gerät geht bei Fehlererkennung zunächst nur in Warnmodus (gelbe LED) aber erzeugt weiter Plasma. Zustand ERROR wird erst bei Überschreiten von für das Gerät nicht mehr zulässigen Parametern erreicht um das Gerät zu schützen

Alle weiteren Schalter haben in der aktuellen Geräteversion noch keine Funktion und sind auf Position „OFF“ / rechts zu belassen.

i

Achtung – Geräteschäden!

Die Voreinstellung des Fehlermodus ist werksseitig auf „Failure“ eingestellt. Dadurch stoppt das Gerät, um das Wechselmodul vor Situationen zu schützen, die das Piezoelement beschädigen könnten. Darüber hinaus ist dies ein Indikator, dass diese Plasmaentladung nicht für das behandelte Material geeignet ist und zu keiner zufriedenstellenden Oberflächenaktivierung führt.

Es gibt jedoch Materialien (z.B. Verbundmaterialien oder Flüssigkeiten) welche mit der Einstellung „Failure“ nicht behandelt werden können. Die Umstellung auf den Fehlermodus „Warning“ kann jedoch dazu führen, dass das Wechselmodul beschädigt wird, je nachdem welches Material oder welche Prozessparameter eingesetzt werden.

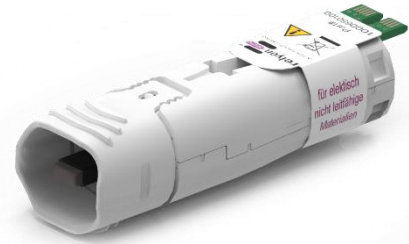
Stellen Sie den Fehlermodus nur bei getrennter Stromversorgung um!

7.7 Arbeiten mit dem Wechselmodul „Standard“

Dieses Wechselmodul dient für vielfältige Anwendungen auf elektrisch nicht-leitfähigen Substraten / Materialien wie z.B. Kunststoffen, Keramik, Glas, Naturfasern, Leder, Textilien usw. Beim Gebrauch des Wechselmoduls „Standard“ ist ein Arbeitsabstand von ca. 2 bis 10 mm einzuhalten.

Elektrisch leitfähige Substrate wie Metalle oder leitfähige Polymere können nicht zuverlässig mit dieser Düse behandelt werden.

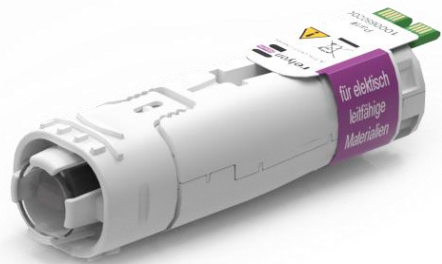
Bei der Behandlung von elektrisch leitfähigen Substraten / Materialien kann bei zu geringem Abstand ein Funkenüberschlag stattfinden. In diesem Fall wird das Gerät nach ca. 0,5 Sekunden die Plasmaerzeugung stoppen.



7.8 Arbeiten mit dem Wechselmodul „Nearfield“

Das Wechselmodul „Nearfield“ wurde speziell für die Behandlung elektrisch leitfähiger Substrate / Materialien wie z.B. Metalle oder leitfähige Polymere entwickelt. Auch teilweise leitfähiges Material wie z.B. Kohlenstofffaserverstärkter Kunststoff (CFK) sollte mit diesem Wechselmodul behandelt werden.

Das Gerät kann nur eine Oberflächenaktivierung erzeugen, wenn vor dem Gerät ein elektrisch leitfähiges Substrat im Bereich des zulässigen Arbeitsabstands ist. Dieser beträgt ca. 0,5 bis 2,0 mm. Bei größerem Abstand kann je nach Material und Form Ihres Substrates unter Umständen keine Plasmaerzeugung stattfinden. Wenn ein zu großer Abstand gewählt wird, stoppt das Gerät nach 5 Sekunden automatisch die Plasmaerzeugung.



Vorsicht – heiße Oberfläche!

Die Wechselmodule können durch den Betrieb heiß werden. Berühren Sie diese erst nach Abkühlung und achten Sie bei der Arbeit mit den Wechselmodulen darauf, thermisch empfindliche Oberflächen nicht zu beschädigen.

7.9 Arbeiten mit anderen Wechselmodulen

Bitte beachten Sie hierfür die entsprechenden Betriebsanleitungen, die diesen Modulen beiliegen.

8 Außerbetriebnahme

- Legen Sie am Schalteingang „Plasma ein“ eine Spannung von 0 V an
- Um unnötigen Stromverbrauch zu reduzieren, wird bei längerer Unterbrechung empfohlen, die Spannungsversorgung 24 V zu deaktivieren

9 Wartung

9.1 Reinigung

- Reinigen Sie das Gerät nur äußerlich.
- Stellen Sie sicher, dass das Gerät von der Stromversorgung getrennt ist.
- Reinigen Sie das Gerät nur mit einem mit Wasser befeuchteten Tuch. Verwenden Sie keine Lösungsmittel zur Reinigung des Gerätes!
- Reinigen Sie nicht das Piezoelement.

9.2 Austausch eines Wechselmoduls

Die Wechselmodule können sich je nach Anwendung abnutzen und sollten für ein gleichbleibendes Aktivierungsergebnis getauscht werden. Gehen Sie hierzu wie unter Punkt 7.4 beschrieben vor.

Die Anlagenverfügbarkeit wird im Bezug auf die Wechselmodule über die „Mean Time to Failure“ (MTTF) beschrieben.

Aufgrund der unterschiedlichen Integrationssituationen und Prozesse können diese Werte nur als ungefähre Richtwerte angenommen werden, die unter Laborbedingungen ermittelt werden. Durch die Funktionsweise des Gerätes können gewisse Rückwirkungen des Prozesses auf das Gerät auftreten, die Einfluss auf die Belastung der Wechselmodule haben können.



Achtung – Anlagenverfügbarkeit!

Um Anlagenstillstände möglichst kurz zu halten, empfehlen wir die Vorratshaltung einer gewissen Menge von Wechselmodulen.

Für das Modul Standard beträgt die MTTF 3.000 Betriebsstunden, für das Module Nearfield beträgt die MTTF 2.000 Betriebsstunden.

Werte für andere Module entnehmen Sie bitte der separaten Datenblätter bzw. Anleitungen dieser Module.

Ersatzmodule können Sie direkt über die **relyon plasma** GmbH beziehen. Zur Optimierung unserer Wechselmodule werten wir zurückgesendete Wechselmodule aus. Bitte nehmen Sie Kontakt mit uns auf und senden Sie uns Ihre defekten oder ersetzten Wechselmodule zur Analyse zurück.



Achtung – Geräteschäden!

Berühren Sie auf keinen Fall das Piezoelement am vorderen Ende des Geräts mit scharfkantigen Gegenständen. Diese Komponente kann durch unsachgemäßes Arbeiten beschädigt werden.

Störung / Fehler	Ursache	Beseitigung
Gerät lässt sich nicht einschalten oder Plasma erlischt während des Betriebs	Stromversorgung fehlerhaft.	Stromversorgung prüfen.
	Netzsicherung hat ausgelöst.	Netzsicherung prüfen.
	Steckverbindung der Anschlussleitungen kontaktieren nicht	Prüfen Sie, ob alle Steckverbindungen korrekt angeschlossen sind und die Überwurfmuttern handfest angezogen sind.
	Es liegt ein interner Fehler vor.	Gerät stromlos schalten. Erneut einschalten.
	Piezoelement gebrochen. Das Wechselmodul muss getauscht werden.	Entnehmen Sie das defekte Modul und setzen Sie ein neues Modul ein.
Gerät lässt sich nicht einschalten oder Plasma erlischt während des Betriebs und auf Pin „Error“ liegt ein Pegel von 24V an.	Das Gerät hat einen Fehler detektiert und ist im Fehlerzustand.	Prüfen Sie am Gerät selbst den Status der LED-Anzeige und gehen Sie entsprechend der folgenden Punkte vor.
Plasma erlischt während des Betriebs und Gerät zeigt LED Fehlercode „Fehler Plasma“ an (siehe Kap. 7.1)	Gerät findet keine zulässige Betriebsfrequenz.	Piezoelement gebrochen. Entnehmen Sie das defekte Modul und setzen Sie ein neues Modul ein. Setzen Sie den Fehler wie unter Punkt 7.2 beschrieben zurück.
	Überschläge auf leitfähiges Substrat mit z.B. Wechselmodul „Standard“	Verwenden Sie ein für das Substrat passendes Modul, z.B. Modul „Nearfield“. Setzen Sie den Fehler wie unter Punkt 7.2 beschrieben zurück.
	Kein leitfähiges Substrat in ausreichender Nähe zu z.B. Wechselmodul „Nearfield“	Reduzieren Sie den Abstand zum Substrat oder verwenden Sie ein für das Substrat passendes Modul, z.B. Modul „Standard“. Setzen Sie den Fehler wie unter Punkt 7.2 beschrieben zurück.
Wie oben, Anzeige Gerät zeigt LED Fehlercode: „Fehler Lüfter“ an (siehe Kap. 7.1)	Der Lüfter ist defekt.	Bitte kontaktieren Sie den Kundenservice.
Wie oben, Anzeige Gerät zeigt LED Fehlercode: „Fehler Temperatur“ an (siehe Kap. 7.1)	Das Gerät hat im Inneren eine unzulässig hohe Temperatur erreicht.	Lassen Sie das Gerät abkühlen. Prüfen Sie, ob der Lufteinlass und der Düsenaustritt während der Behandlung nicht verdeckt sind. Setzen Sie den Fehler wie unter Punkt 7.2 beschrieben zurück.
Wie oben, Anzeige Gerät zeigt LED Code: „Kein Modul erkannt“ an (siehe Kap. 7.1)	Wechselmodul nicht eingesetzt oder nicht erkannt.	Prüfen Sie, ob ein Wechselmodul eingesetzt ist und dieses tief genug im Gerät sitzt. Entnehmen Sie gegebenenfalls das Wechselmodul und setzen Sie es erneut ein. Setzen Sie gegebenenfalls ein neues Wechselmodul ein.

Kann das Problem durch diese Vorgehensweisen nicht behoben werden, wenden Sie sich bitte an die **relyon plasma** GmbH.

11 Umwelt

11.1 Entsorgung



Denken Sie an den Schutz der Umwelt.

Gebrauchte Elektro- und Elektronikgeräte dürfen nicht zum Hausabfall gegeben werden.

- Das Gerät enthält wertvolle Rohstoffe, die wiederverwendet werden können. Geben Sie das Gerät deshalb an einer entsprechenden Annahmestelle ab.

Bitte senden Sie defekte oder ersetzte Wechselmodule an die **relyon plasma** GmbH zur Analyse zurück. Nehmen Sie bitte vorab Kontakt mit uns auf.

12 Konformität / Normen

12.1 CE



Wir erklären CE-Konformität.

Die Kennzeichnung befindet sich auf dem Typenschild des Gerätes.

12.2 FCC



Wir erklären FCC-Konformität.

Dieses Gerät ist konform mit den FCC-Vorschriften aus „Part 15“ und „Part 18“.

12.3 Produktnormen

Das Gerät erfüllt die folgenden Bestimmungen und Normen:

EMC	EN 55011:2016 + A1:2017 Group 2 Class A
	EN 61000-6-2:2005
	EN 61000-3-2:2014
	EN 61000-3-3:2013
LVD	EN 61010-1:2010
RoHS	EN IEC 63000:2018-12
FCC	Part 15 und Part 18

13 Ersatzteile

Artikelnummer	Bezeichnung
1000650100	Wechselmodul „Standard“ (Verschleißteil)
1000650200	Wechselmodul „Nearfield“ (Verschleißteil)
1000650300	Wechselmodul „Multigas“ (Verschleißteil)
1000650400	Wechselmodul „Needle“ (Verschleißteil)
1000650500	Wechselmodul „Nearfield Needle“ (Verschleißteil)

14 optionales Zubehör

Artikelnummer	Bezeichnung
1000700100	PZ3-i Anschlussleitungen

relyon plasma GmbH
A TDK Group Company

Osterhofener Straße 6
93055 Regensburg
Deutschland

Telefon: +49-941-60098-0

Fax: +49-941-60098-100

E-Mail: info@relyon-plasma.com

<https://www.relyon-plasma.com>



Kennen Sie schon unsere weiteren Produkte?

DE

piezo brush® PZ3



Der piezobrush® PZ3 ist als kompaktes Plasma-Handgerät für den Einsatz in Laboren, der Vorentwicklung und der Montage von Kleinserien entwickelt worden. Bei einer maximalen Leistungsaufnahme von 18 W wird mithilfe der Piezoelectric Direct Discharge (PDD®) Technologie kaltaktives Plasma mit einer Temperatur von weniger als 50°C erzeugt.

plasma brush® PB3



Der plasmabrush® PB3 ist das Hochleistungs-Plasmasystem für schnelle Inline-Prozesse, die höchste Leistung erfordern. Breite Anwendung findet der plasmabrush® PB3 im Automotive-, Verpackungs- und Druckbereich.

plasma tool



Das plasmatool ist als Hochleistungs-Handgerät für die Plasmabehandlung von Werkstücken konzipiert, die aufgrund ihrer Größe oder Mobilität nicht maschinell bearbeitet werden können. So ist eine Plasmabehandlung an jedem beliebigen Ort möglich.

plasma cell P300



Die plasmacell ist ein unabhängiges und kompaktes Plasmasystem, für die einfache und effiziente Plasmabehandlung von kleinen bis mittleren Bauteilen. Das integrierte Softwaresystem ermöglicht die Prozessüberwachung.