

Document ID: 5511076

Front Floor Illumination Lamp Package Installation

Installation Instruction Part Number

84511711

Kit Contents

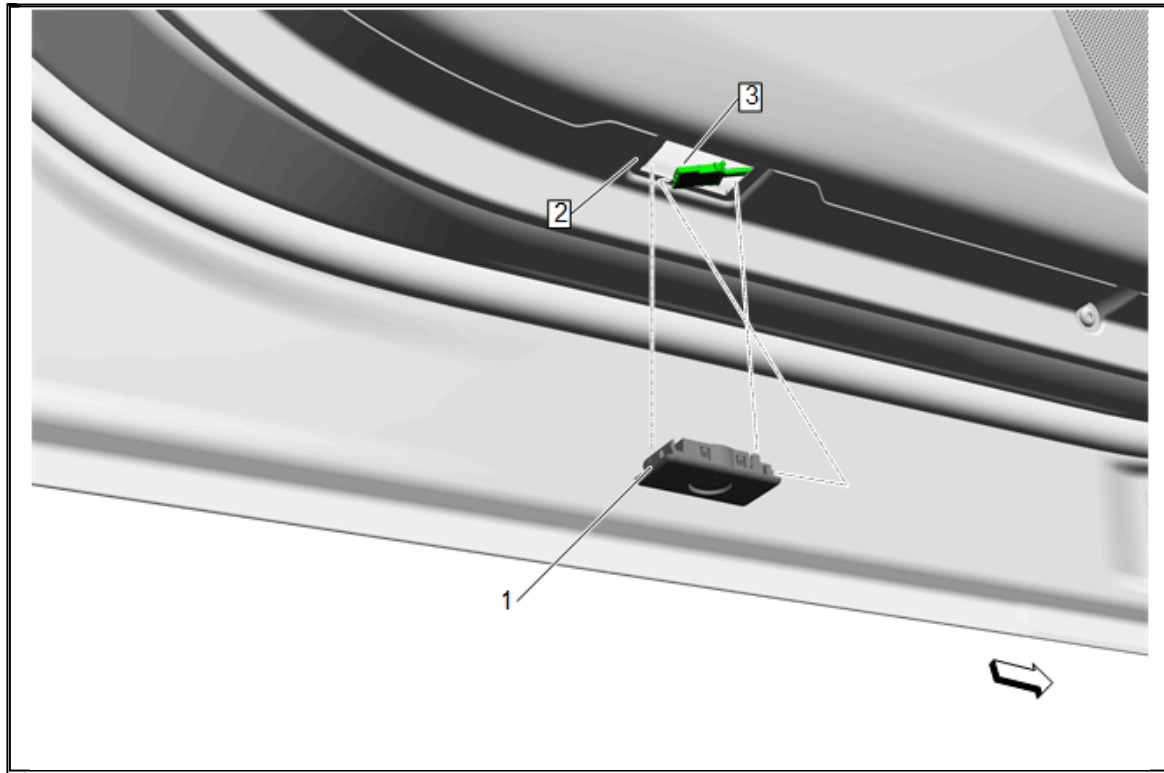
QTY.	Description
1	Front Side Door Illumination Logo Lamp - LH
1	Front Side Door Illumination Logo Lamp - RH
1	Installation Instructions

Tools Required

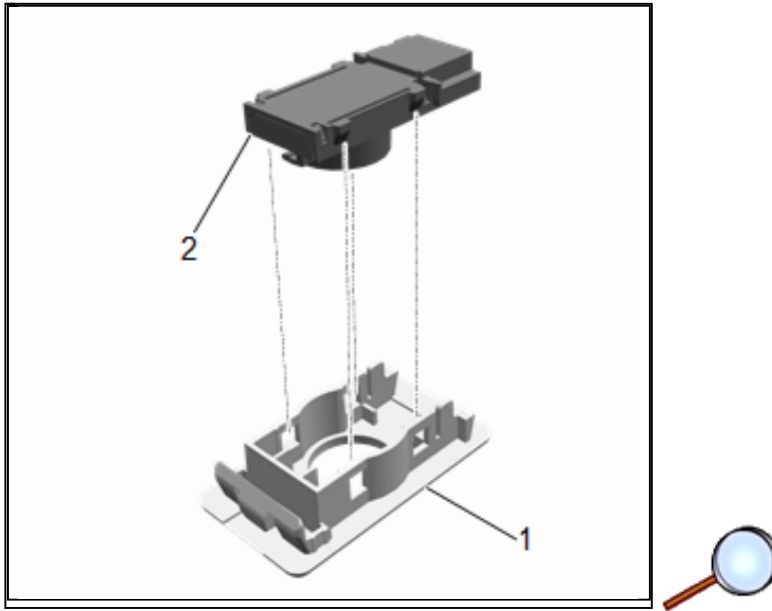
Flat Bladed Plastic Trim Tool

Procedure

Remove Production Illumination Lamp



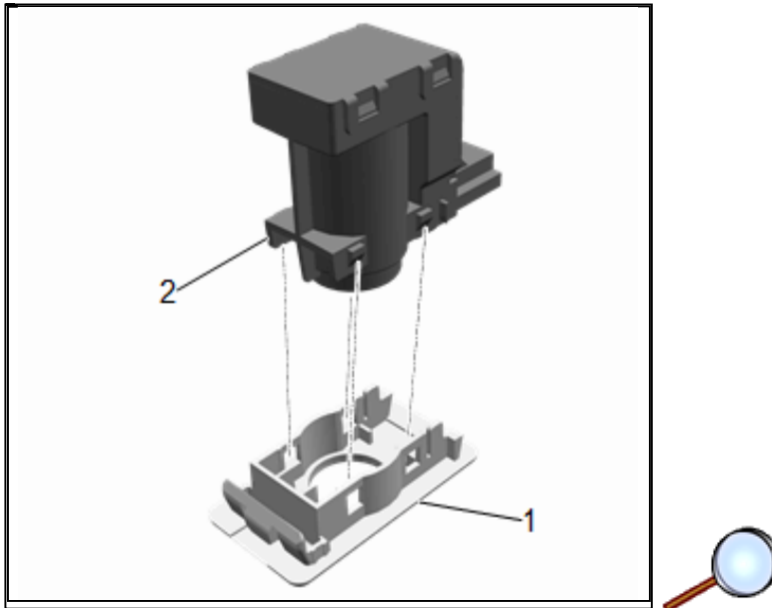
1. Using a flat bladed plastic trim tool, release the retaining tab and remove the bracket and lamp (1) downward from the front door side trim (2).
2. Disconnect the electrical connector (3) from the lamp.



Note: Lamp bracket (1) will be reused.

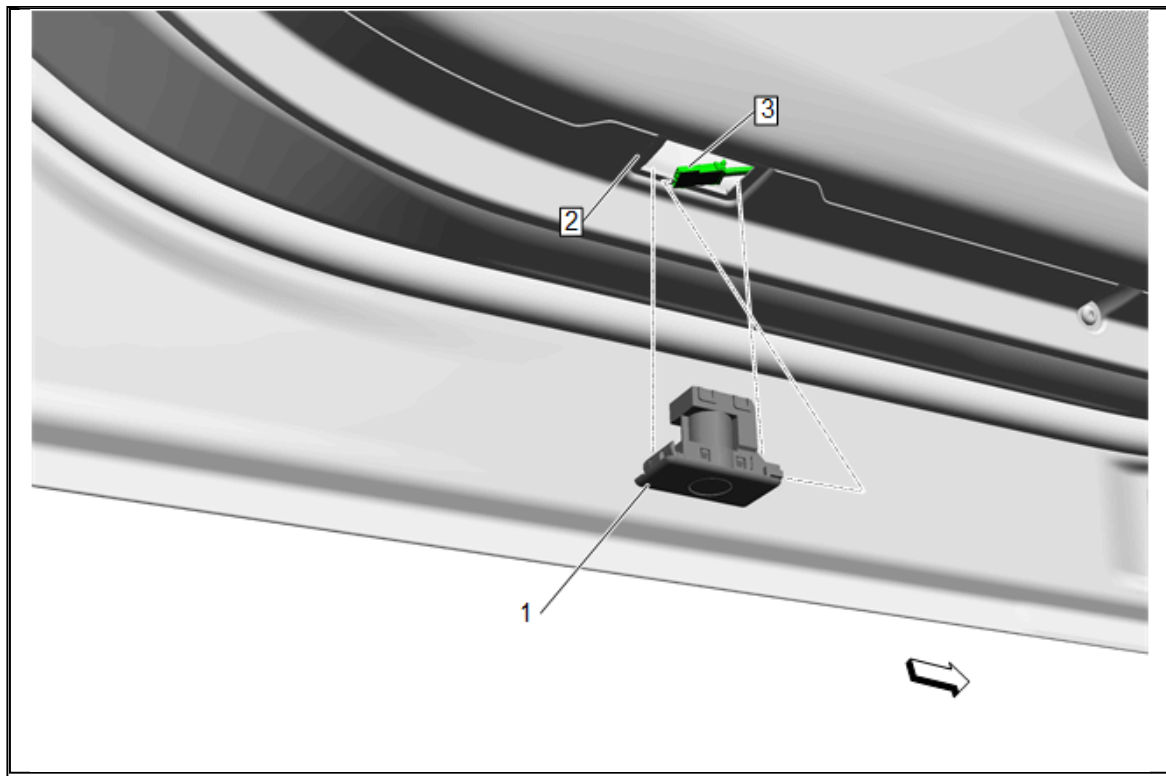
3. Release the retaining tabs and remove the illumination lamp (2) from the bracket (1).

Install New Illumination Logo Lamp

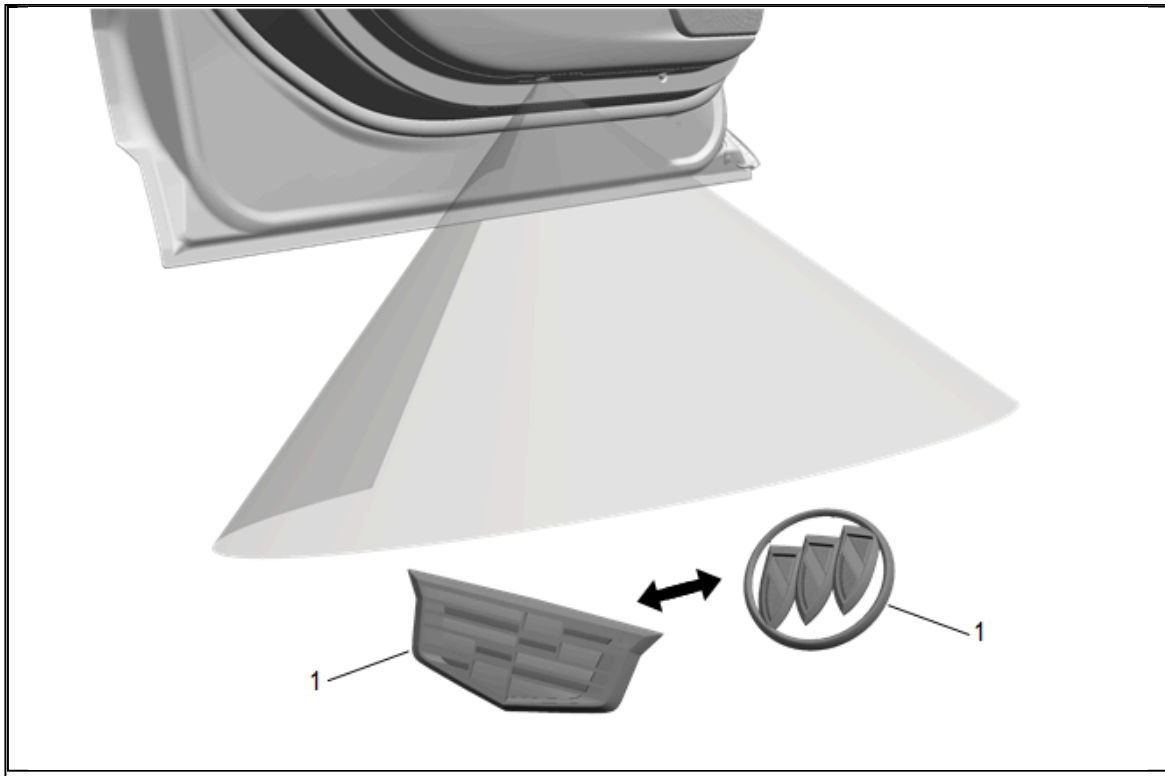


Note: Check part label to ensure correct orientation (LH) or (RH) of parts before installation.

1. Install illumination logo lamp (2) to the previously removed lamp bracket (1) engaging the retaining tabs.



2. Position illumination logo lamp and bracket (1) to the front door side trim panel (2).
3. Connect the electrical connector (3) to lamp.
4. Insert lamp and bracket assembly (1) connector end first into the front door side trim panel (2) and engage the retaining tabs.
5. Repeat procedure for opposite side.



Note: Lamps will not function in daylight.

6. Confirm function and brand (1) is correct by cycling unlock/lock with remote.