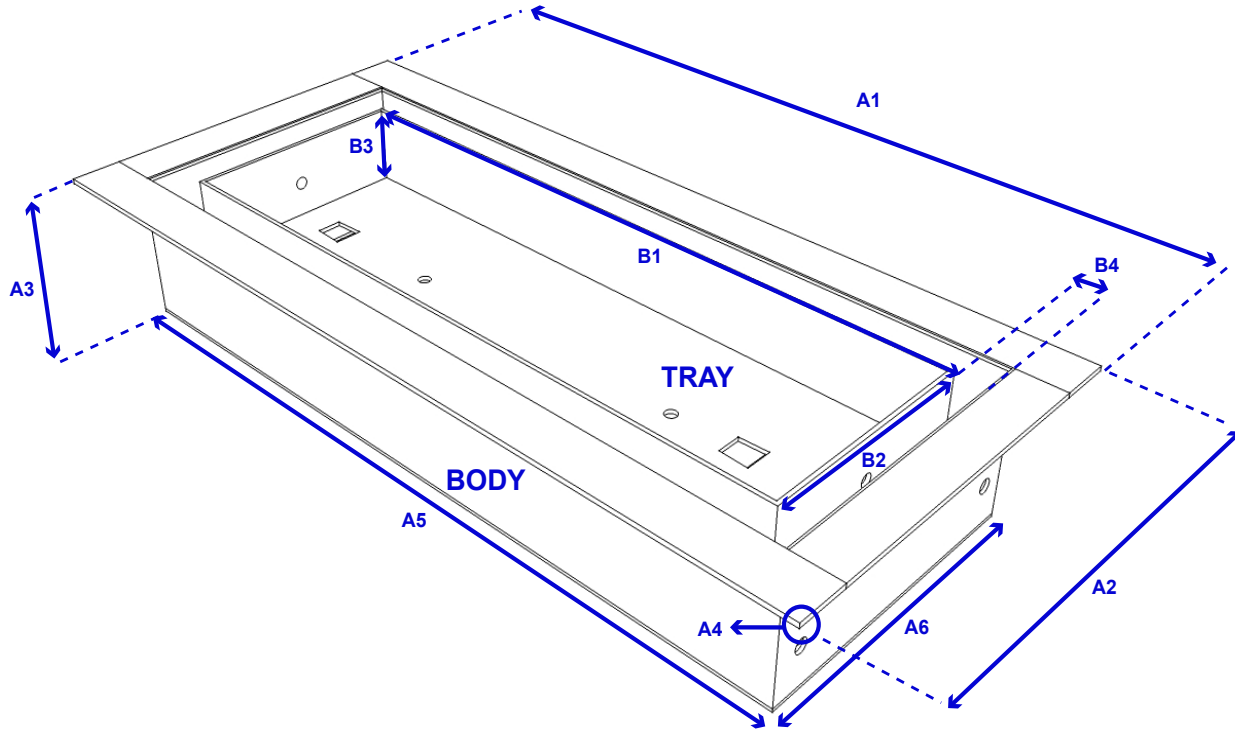




## Aria OG Model Specification Sheet

### Perspective View



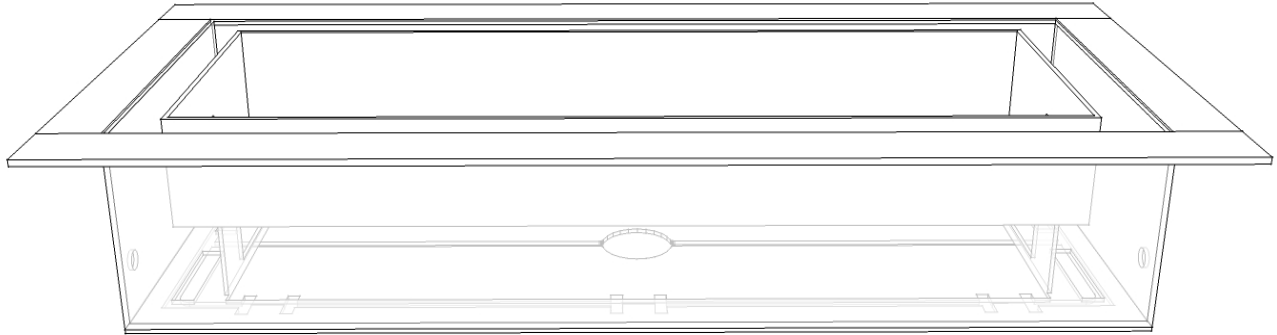
### Component Dimensions

OG	2"X10"		2"X12"		3"X10"		4"X10"		4"X12"		4"X14"		6"X10"		6"X12"		8"X8"	
	Inches	MM	Inches	MM	Inches	MM	Inches	MM	Inches	MM	Inches	MM	Inches	MM	Inches	MM	Inches	MM
A1	10 ¾"	273	12 ¾"	324	11"	279	11"	279	13"	330	15"	381	11"	279	13"	330	8 ⅞"	225
A2	3 ⅛"	79	3 ⅛"	79	4 ⅙"	103	5"	127	5"	127	5"	127	7"	177	7"	177	8 ⅞"	225
A3	1 13/16"	46	1 13/16"	46	1 13/16"	46	1 13/16"	46	1 13/16"	46	1 13/16"	46	1 13/16"	46	1 13/16"	46	1 13/16"	46
A4	1/16"	1	1/16"	1	1/32"	1	1/16"	1	1/16"	1	1/16"	1	1/16"	1	1/16"	1	1/16"	1
A5	9 ¾"	247	11 ¾"	298	9 ¾"	248	9 ¾"	248	11 ¾"	298	13 ¾"	349	9 ¾"	248	11 ¾"	298	7 ¾"	197
A6	2 ⅛"	54	2 ⅛"	54	2 ⅞"	73	3 ¾"	95	3 ¾"	95	3 ¾"	95	5 ¾"	146	5 ¾"	146	7 ¾"	197
B1	8 13/16"	224	10 13/16"	275	8 13/16"	224	8 13/16"	224	10 13/16"	275	12 13/16"	325	8 ¾"	223	10 13/16"	275	6 23/32"	171
B2	1 ¼"	32	1 ¼"	32	2 1/32"	52	2 7/8"	73	2 7/8"	73	2 7/8"	73	4 13/16"	122	4 7/8"	124	6 23/32"	171
B3	7/8"	22	7/8"	22	7/8"	22	7/8"	22	7/8"	22	7/8"	22	7/8"	22	7/8"	22	7/8"	22
B4	3/8"	10	3/8"	10	3/8"	11	7/16"	11	7/16"	11	7/16"	11	7/16"	11	7/16"	11	7/16"	11



## Aria OG Model Specification Sheet

Side View



### Components

**Tray:** Insert finished surface material. Can slide and remove to access air flow flanges.

**Body:** The outer shell of the vent that houses the tray. Flange located on bottom of body.

### Install Note

This unit can be retrofitted and installed after the finish surface. Use your surface material to customize vent.

### Compatible Surface Materials

Tile, mosaic, hardwood, laminate, carpet, cork, drywall etc.

Can be installed on floors, wall and ceiling vents.

Size & Colour	2"x10"	2"x12"	3"x10"	4"x10"	4"x12"	4"x14"	6"x10"	6"x12"	8"x8"
Matte Black	✓	✓	✓	✓	✓	✓	✓	✓	✓
Matte Grey			✓	✓					
Appliance White			✓	✓					