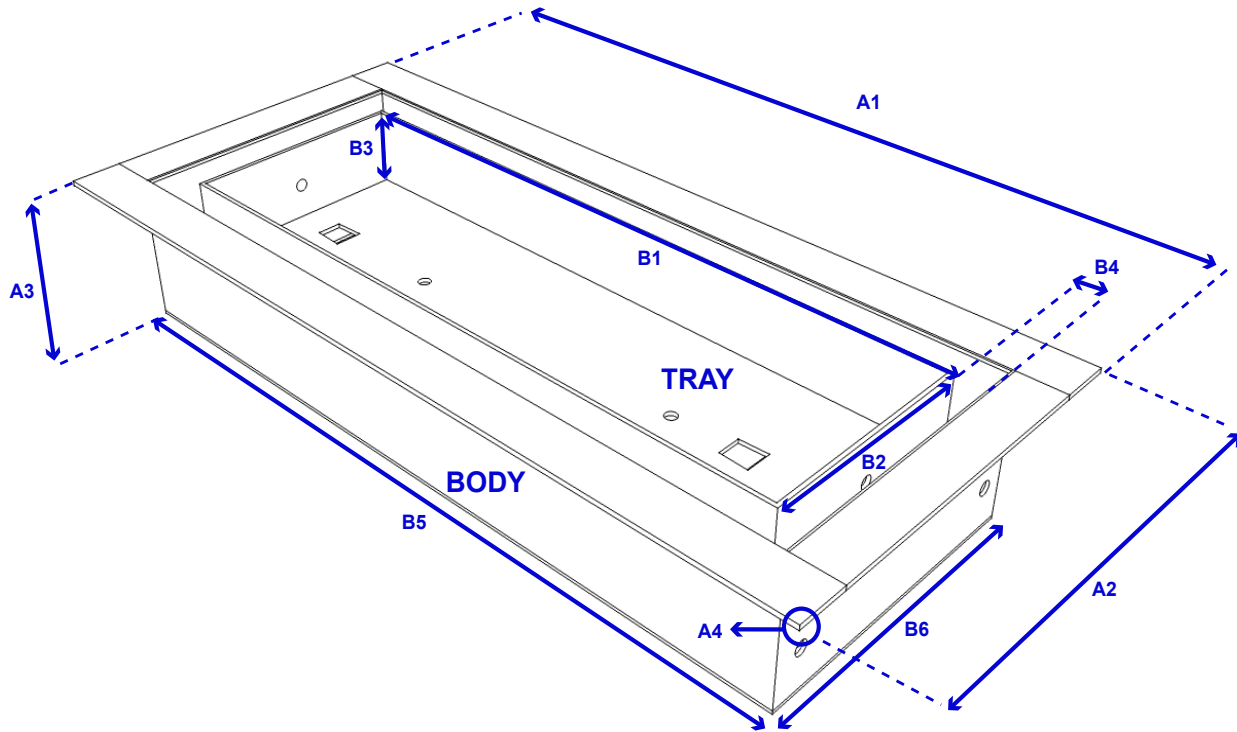


Aria OG Model Specification Sheet

Perspective View



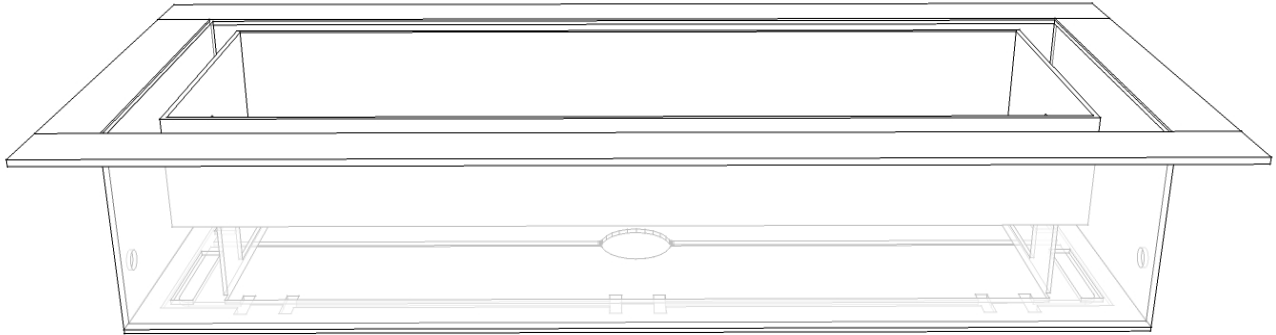
Component Dimensions

OG	2"X10"		2"X12"		3"X10"		4"X10"		4"X12"		4"X14"		6"X10"		6"X12"	
	Inches	MM	Inches	MM	Inches	MM	Inches	MM	Inches	MM	Inches	MM	Inches	MM	Inches	MM
A1	10 1/2"	272mm	12 5/8"	322mm	11"	279mm	11"	279mm	13"	330mm	15"	381mm	11"	279mm	13"	330mm
A2	3 1/8"	78mm	3 1/8"	78mm	4 1/16"	103mm	5"	127mm	5"	127mm	5"	127mm	7"	177mm	7"	177mm
A3	1 13/16"	46mm	1 13/16"	46mm	1 13/16"	46mm	1 13/16"	46mm	1 13/16"	46mm	1 13/16"	46mm	1 13/16"	46mm	1 13/16"	46mm
A4	1/32"	1mm	1/32"	1mm	1/32"	1mm	1/32"	1mm	1/32"	1mm	1/32"	1mm	1/32"	1mm	1/32"	1mm
B1	8 11/16"	221mm	10 11/16"	272mm	8 13/16"	224mm	8 13/16"	224mm	10 13/16"	275mm	12 3/4"	324mm	8 3/4"	223mm	10 3/4"	273mm
B2	1 1/4"	29mm	1 1/4"	29mm	2 1/32"	52mm	2 7/8"	73mm	2 7/8"	73mm	2 7/8"	73mm	4 13/16"	122mm	4 13/16"	122mm
B3	7/8"	22mm	7/8"	22mm	7/8"	22mm	7/8"	22mm	7/8"	22mm	7/8"	22mm	7/8"	22mm	7/8"	22mm
B4	3/8"	10mm	3/8"	10mm	7/16"	11mm	7/16"	11mm	7/16"	11mm	7/16"	11mm	7/16"	11mm	7/16"	11mm
B5	9 3/4"	247mm	11 3/4"	298mm	9 3/4"	248mm	9 3/4"	248mm	11 3/4"	298mm	13 3/4"	349mm	9 3/4"	248mm	11 3/4"	298mm
B6	2 1/8"	54mm	2 1/8"	54mm	2 7/8"	73mm	3 3/4"	95mm	3 3/4"	95mm	3 3/4"	95mm	5 3/4"	146mm	5 3/4"	146mm



Aria OG Model Specification Sheet

Side View



Components

Tray: Insert finished surface material. Can slide and remove to access air flow flanges.

Body: The outer shell of the vent that houses the tray. Flange located on bottom of body.

Install Note

This unit can be retrofitted and installed after the finish surface. Use your surface material to customize vent.

Compatible Surface Materials

Tile, mosaic, hardwood, laminate, carpet, cork, drywall etc.

Can be installed on floors, wall and ceiling vents.

Size & Colour	2"x10"	2"x12"	3"x10"	4"x10"	4"x12"	4"x14"	6"x10"	6"x12"
Matte Black	✓	✓	✓	✓	✓	✓	✓	✓
Matte Grey			✓	✓				
Appliance White			✓	✓				