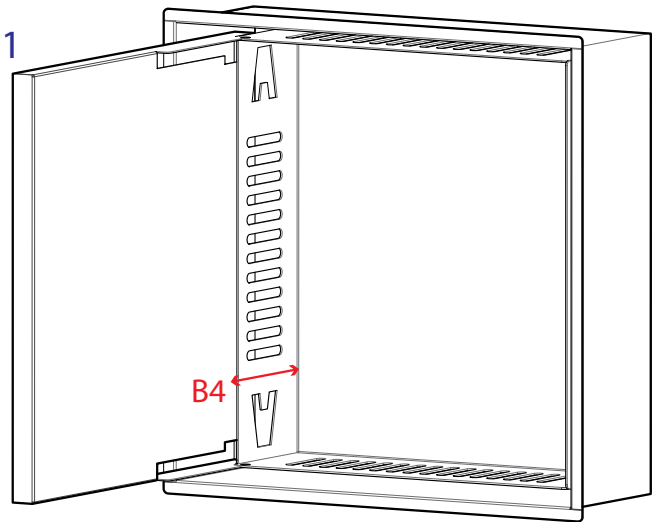
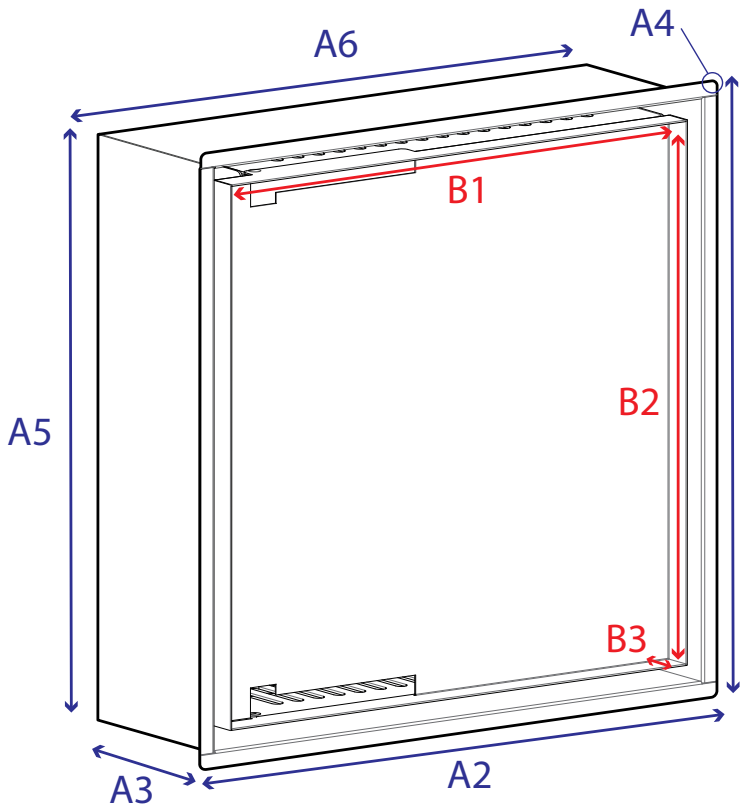




No See Shower Niche  
Specification Sheet



Component Dimensions

	Inches	MM
A1	12 <sup>3</sup> / <sub>8</sub> "	314mm
A2	12 <sup>3</sup> / <sub>8</sub> "	314mm
A3	4"	102mm
A4	1/ <sub>32</sub> "	1mm
A5	11 <sup>3</sup> / <sub>4</sub> "	298mm
A6	11 <sup>7</sup> / <sub>8</sub> "	302mm
B1	10 <sup>15</sup> / <sub>16</sub> "	278mm
B2	10 <sup>15</sup> / <sub>16</sub> "	278mm
B3	1/2"	13mm
B4	3 1/4"	83mm

Components

Constructed out of 304 Grade Stainless Steel. Providing a durable and corrosion resistant product with hospital grade hygienic properties.

**Door:** Secure finished surface material with adhesive for flush install.

**Body:** Storage nook for all your shower toiletries. Four grated walls to prevent water buildup + "A" shaped hooks for hanging shower accessories. Niche interior complete with a functional mirrored finish.

Compatible Surface Materials

Maximum thickness 1/2". Tile, mosaic, hardwood, laminate, drywall, etc.

\* If using in shower, ensure material is waterproof.

Install Notes

Drop in install, suitable for new builds or retrofit into your existing space. Waterproof barrier must be installed behind the niche.