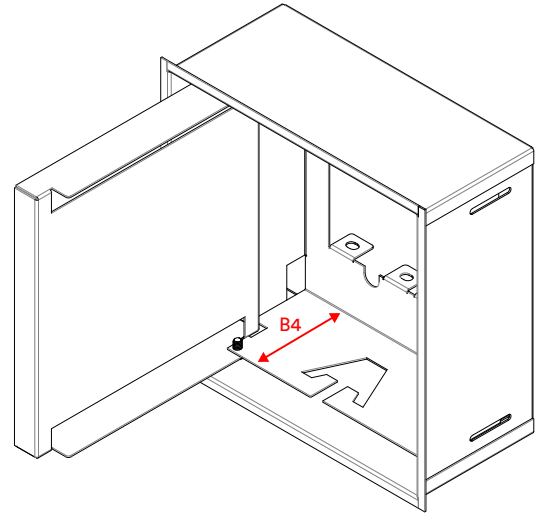
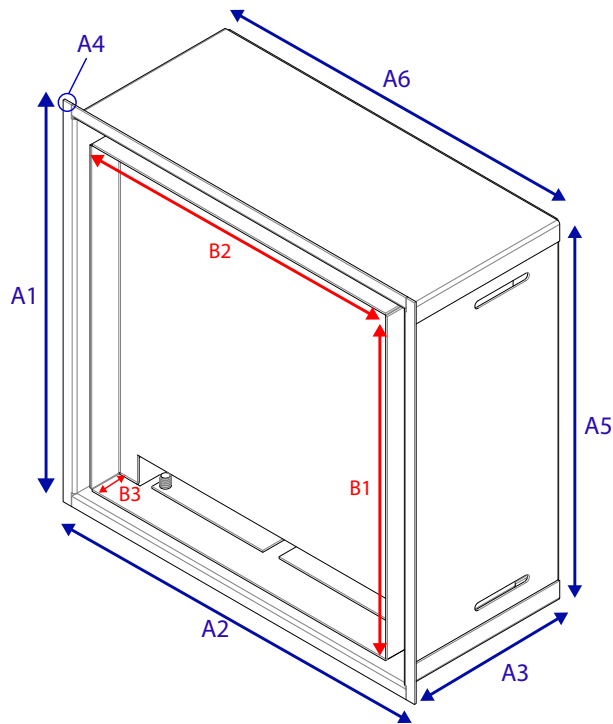




No-See Receptacle Mount [Luxe] Specification Sheet



Component Dimensions

	1 GANG		2 GANG	
	Inches	MM	Inches	MM
A1	6 ³ / ₈ "	162mm	6 ³ / ₈ "	162mm
A2	4 ³ / ₈ "	111mm	6 ³ / ₈ "	162mm
A3	2 ³ / ₄ "	70mm	2 ³ / ₄ "	70mm
A4	1/ ₃₂ "	0.8mm	1/ ₃₂ "	0.8mm
A5	6"	152mm	6"	152mm
A6	4 ¹ / ₃₂ "	102mm	6 ¹ / ₁₆ "	154mm
B1	5 ⁵ / ₁₆ "	135mm	5 ⁵ / ₁₆ "	135mm
B2	3 ⁵ / ₁₆ "	84mm	5 ⁵ / ₁₆ "	135mm
B3	1/ ₂ "	13mm	1/ ₂ "	13mm
B4	2 ¹ / ₈ "	54mm	2 ¹ / ₈ "	54mm

Components

Constructed out of rust resistant galvalume steel, coated with a durable powdercoat finish in white or black

Door: Secure finished surface material with adhesive for flush install.

Body: Allows you to discreetly conceal your light switches & outlets. "A" shaped cutouts allow for outlets to remain in use while the door is closed.

Compatible Surface Materials

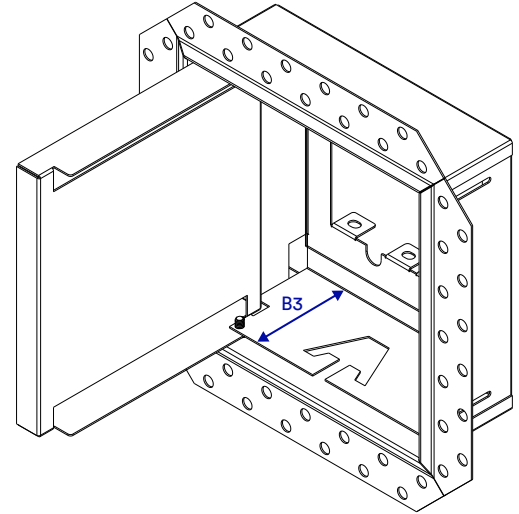
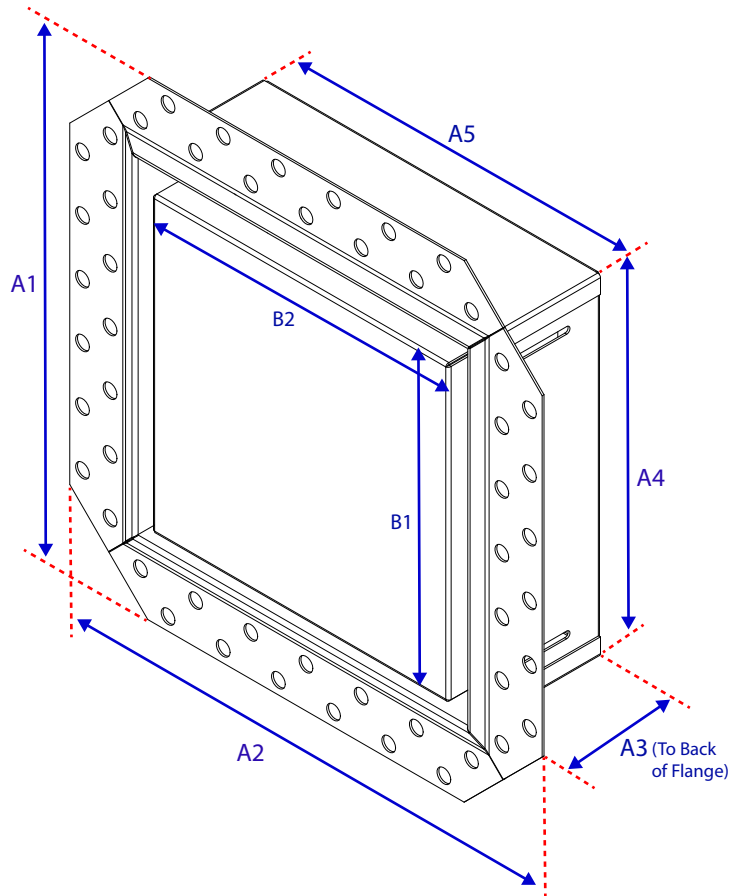
Maximum thickness 1/2". Tile, mosaic, hardwood, laminate, drywall, etc.

Install Notes

Drop in install, suitable for new builds or retrofit into your existing space.



Drywall No-See Receptacle Mount [Luxe] Specification Sheet



Component Dimensions

	1 GANG		2 GANG	
	Inches	MM	Inches	MM
A1	8 ⁷ / ₁₆	214mm	8 ⁷ / ₁₆	214mm
A2	6 ⁷ / ₁₆	164mm	8 ⁷ / ₁₆	214mm
A3	2 ¹¹ / ₃₂	60mm	2 ¹¹ / ₃₂	60mm
A4	6	152mm	6	152mm
A5	4 ¹ / ₈	105mm	6 ¹ / ₁₆	154mm
B1	5 ⁷ / ₁₆	138mm	5 ⁷ / ₁₆	138mm
B2	3 ⁷ / ₁₆	87mm	5 ⁷ / ₁₆	138mm
B3	2 ¹ / ₄	57mm	2 ¹ / ₄	57mm

Components

Constructed out of rust resistant galvalume steel, coated with a durable powdercoat finish in white

Door: Paint to match drywall surface.

Body: Allows you to discreetly conceal your light switches & outlets. "A" shaped cutouts allow for outlets to remain in use while the door is closed.

Install Notes

Mud-in install requires drywall mudding, sanding, and painting for a proper finish.