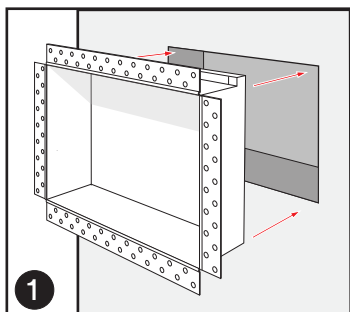
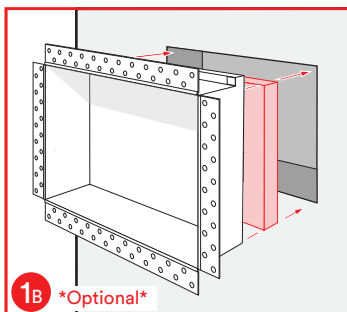


Anywhere Niche Installation Guide

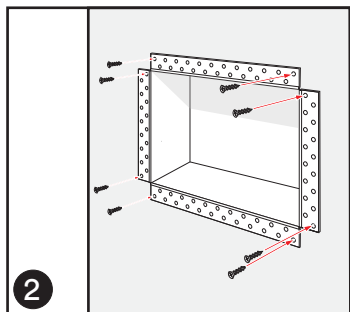


1 Dry fit body into vent opening

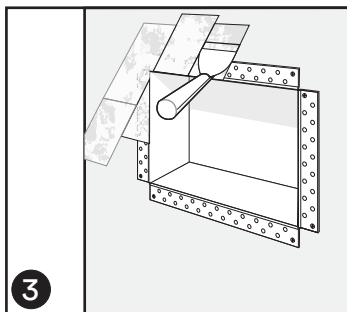


1B *Optional*

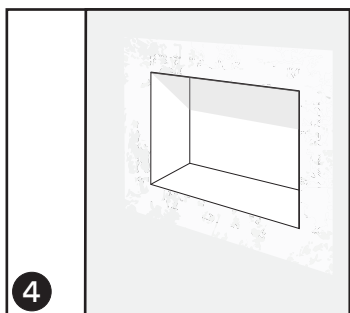
Filler material (i.e wood, foam) may be added between back panel and the joist for additional support.



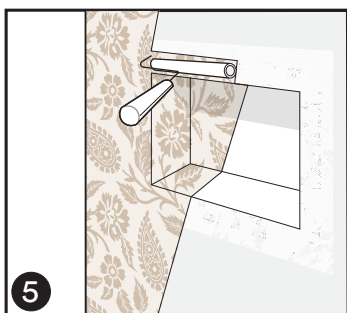
2 Ensure flange is flat to the wall. Use screws to fasten as needed.



3 Mud and tape drywall compound to cover flange. Allow to dry.



4 Sand mud so surface transitions smoothly. Repeat steps 3, 4 as needed.



5 Paint walls, and all surfaces. *can also be used with wallpaper

Additional Support

support@ariavent.com / www.ariavent.com