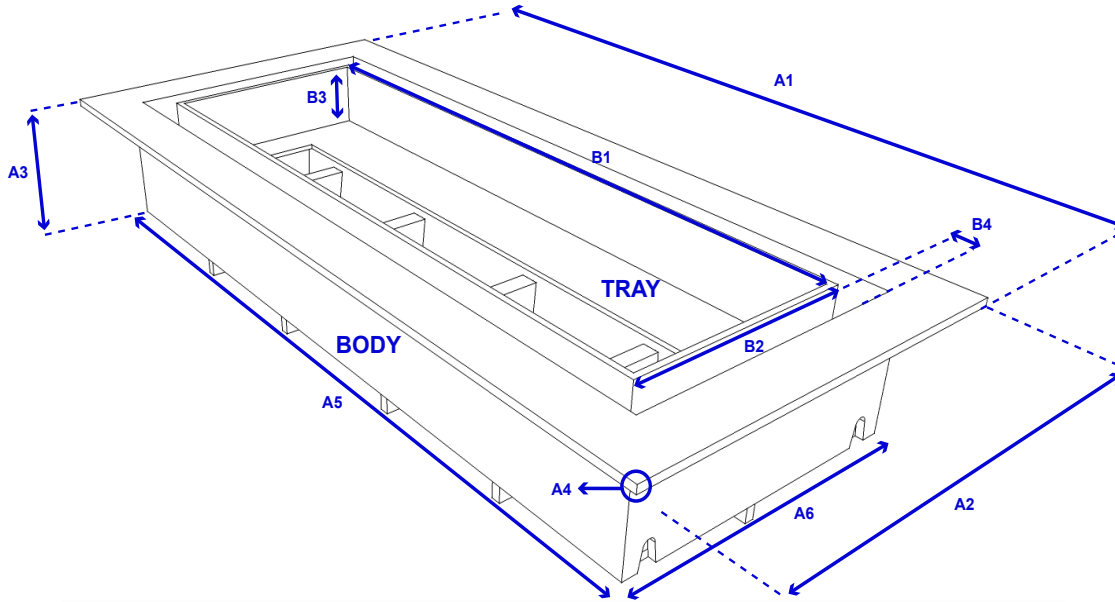


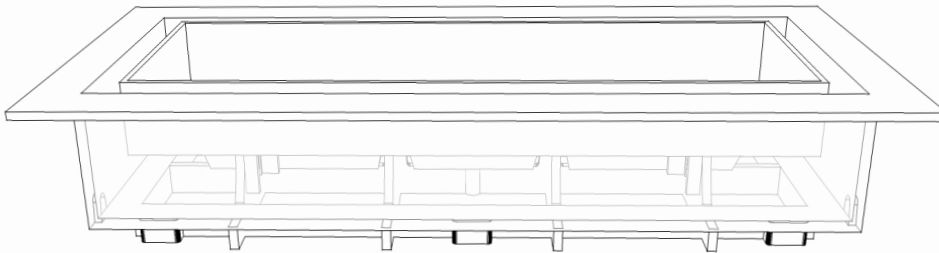


Aria Lite Model Specification Sheet

Perspective View



Side View



Component Dimintions

LITE	3"x10"		4"x10"		2"x12"		4"x12"	
	Inches	MM	Inches	MM	Inches	MM	Inches	MM
A1	11"	279mm	11"	279mm	12 7/8"	327 mm	12 7/8"	327mm
A2	4"	102mm	5"	127mm	3 1/4"	83mm	5"	127mm
A3	1 7/8"	48mm	1 7/8"	48mm	1 7/8"	48mm	1 7/8"	48mm
A4	1/8"	3mm	1/8"	3mm	1/8"	3mm	1/8"	3mm
A5	9 3/4"	248mm	9 3/4"	248mm	11 5/8"	295mm	11 5/8"	295mm
A6	2 7/8"	73mm	3 3/4"	95mm	2 1/8"	54mm	3 3/4"	95mm
B1	8 7/8"	225mm	8 7/8"	225mm	10 5/8"	257mm	10 5/8"	273mm
B2	1 15/16"	49mm	2 13/16"	71mm	1"	25mm	2 13/16"	71mm
B3	3/4"	19mm	3/4"	19mm	3/4"	19mm	3/4"	19mm
B4	3/8"	9mm	3/8"	9mm	7/16"	11mm	3/8"	9mm

Components

Tray: Insert finished surface material.

Body: The outer shell of the vent that houses the tray.

Install Note

This unit can be retrofitted and installed after the finish surface. Use your surface material to customize vent.

Compatible Surface Materials

Tile, mosaic, hardwood, laminate, carpet, cork, drywall etc. Can be installed on floors, wall and ceiling vents.