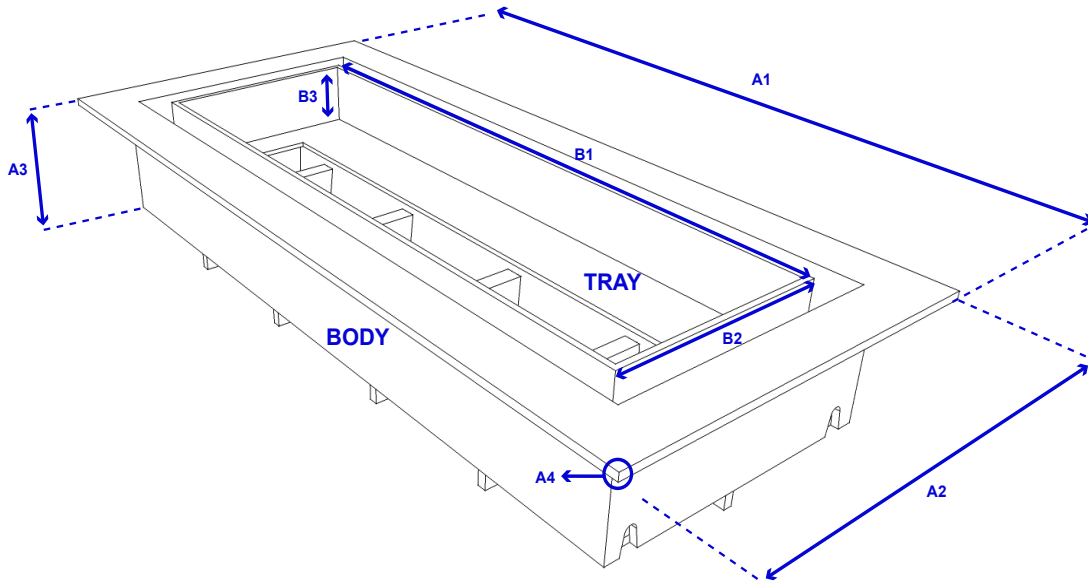
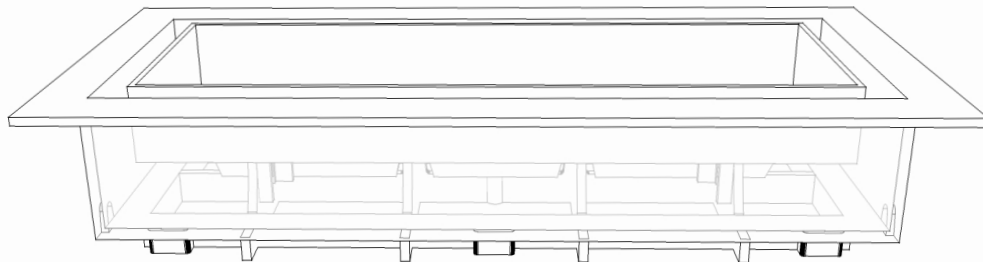


**Aria Lite Model  
Specification Sheet**

Perspective View



Side View



**Component Dimensions**

Lite	3"X10"		4"X10"	
	Inches	MM	Inches	MM
A1	11"	279mm	11"	279mm
A2	4"	102mm	5"	127mm
A3	2"	51mm	2"	51mm
A4	1/16"	2mm	1/16"	2mm
B1	8 13/16"	224mm	8 13/16"	224mm
B2	1 13/16"	46mm	2 7/8"	73mm
B3	3/4"	19mm	3/4"	19mm

SIZE & COLOUR	3'X10'	4'X10'
	MATTE BLACK	☑
COTTON WHITE	☑	☑
WARM GREY	*coming soon	*coming soon

**COMPONENTS**

Tray: Insert finished surface material.

Body: The outer shell of the vent that houses the tray.

**INSTALL NOTE**

This unit can be retrofitted and installed after the finish surface.

Use your surface material to customize vent.

**COMPATIBLE SURFACE MATERIALS**

Tile, mosaic, hardwood, laminate, carpet, cork, drywall etc.

Can be installed on floors, wall and ceiling vents.

Patent information: <http://www.ariavent.com/pages/>