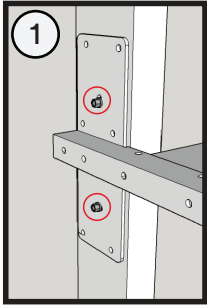
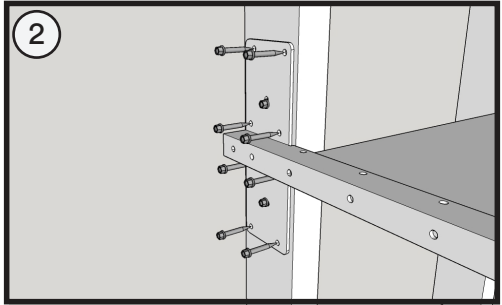


ARIA

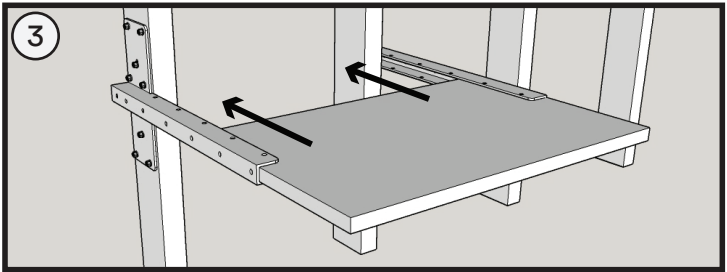
Brack 14 - Installation Guide



1
Use long openings to adjust level.

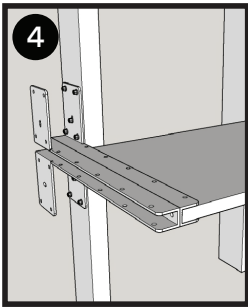


2
Use provided screws to fasten plates to substrate.

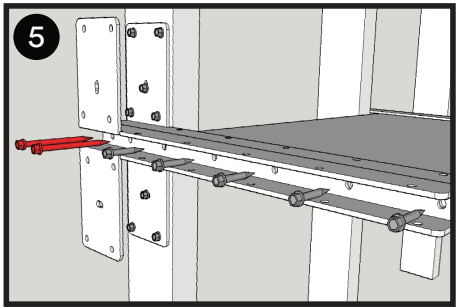


3
Slide in structural board. Must fit snug with minimal movement.

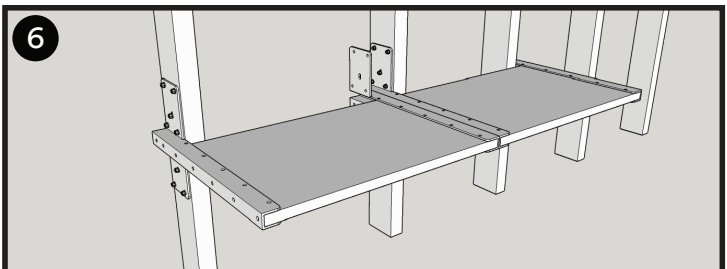
*Optional: Add-on Extension



4
Add a new bracket.



5
Fasten with provided screws. 2 additional long screws required (not included).



6
Repeat steps 1 to 3. Continue adding brackets as needed.

*Recommended span between brackets is 16" on center. Span will vary with application. Each bracket rated to hold 300 lbs.