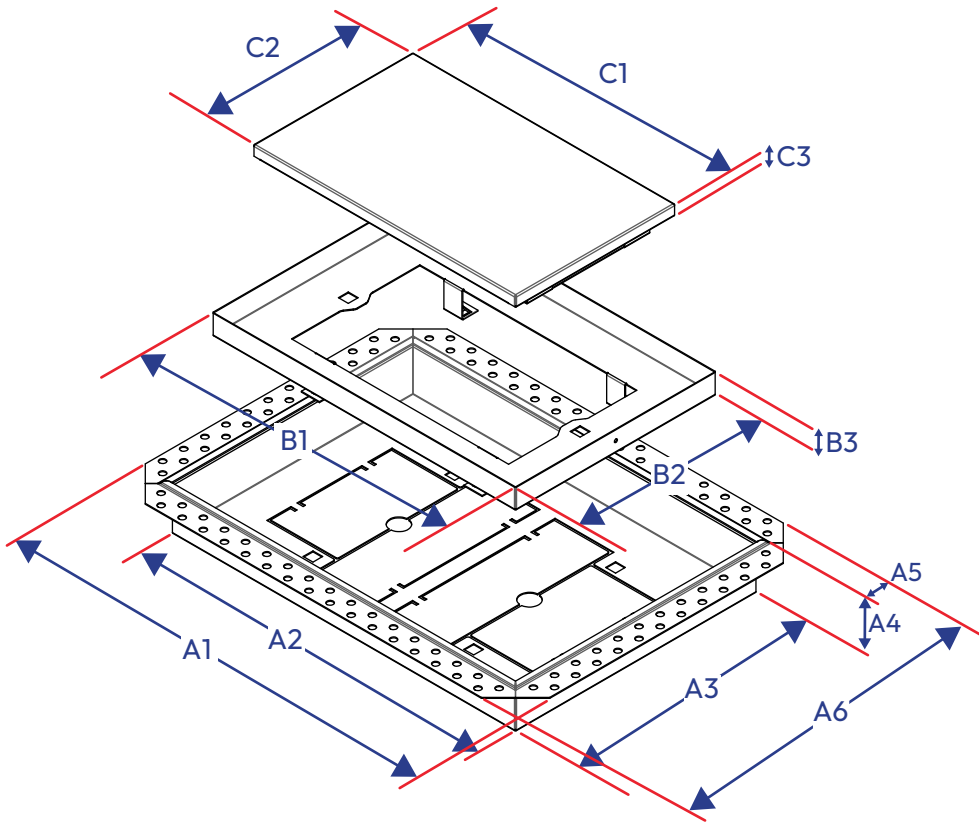


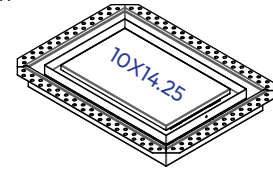
High Performance Flush Wall Vent [Luxe]

Specification Sheet

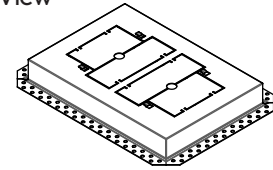
Perspective View (expanded)



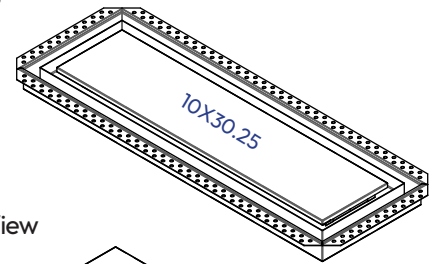
Top View



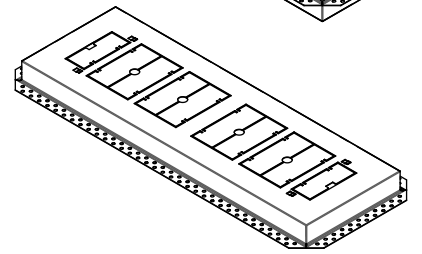
Bottom View



Top View



Bottom View



Component Dimensions

Size & Colour	10"X14"
Satin White	✓

Size & Colour	10"X30"
Satin White	✓

	Inches	MM
A1	16 11/16"	424mm
A2	14 1/4"	362mm
A3	10"	254mm
A4	1 3/4"	44 mm
A5	1 1/4"	32 mm
A6	12 1/2"	317 mm
B1	12 9/16"	319 mm
B2	8 1/4"	210 mm
B3	7/8"	22 mm
C1	10 15/16"	278 mm
C2	6 5/8"	168 mm
C3	7/16"	11 mm

	Inches	MM
A1	32 11/16"	830mm
A2	30 1/4"	768mm
A3	10"	254mm
A4	1 1/4"	32mm
A5	1 1/4"	32mm
A6	12 1/2"	317mm
B1	28 1/2"	724mm
B2	8 5/16"	211mm
B3	1 1/8"	29mm
C1	26 7/8"	683mm
C2	6 5/8"	165mm
C3	7/16"	11 mm

Components

Body: Made from galvaneal steel that has been powder coated white. Corner bead edge to be fastened to surface and finished with drywall mud. This serves as a base for Tray 1 and Tray 2. Please see installation guide for proper install methods.

Tray 1: The larger of the two trays, made from galvaneal steel that has been powder coated white. Can slide to remove to access air flow flanges. This component can be painted to any color. Please see installation guide for proper install methods.

Tray 2: The smallest of the three components, made from galvaneal steel and powder coated white. Serves as a smooth, flat surface that can be painted or wallpapered, before or after installation. Please see installation guide for proper install methods