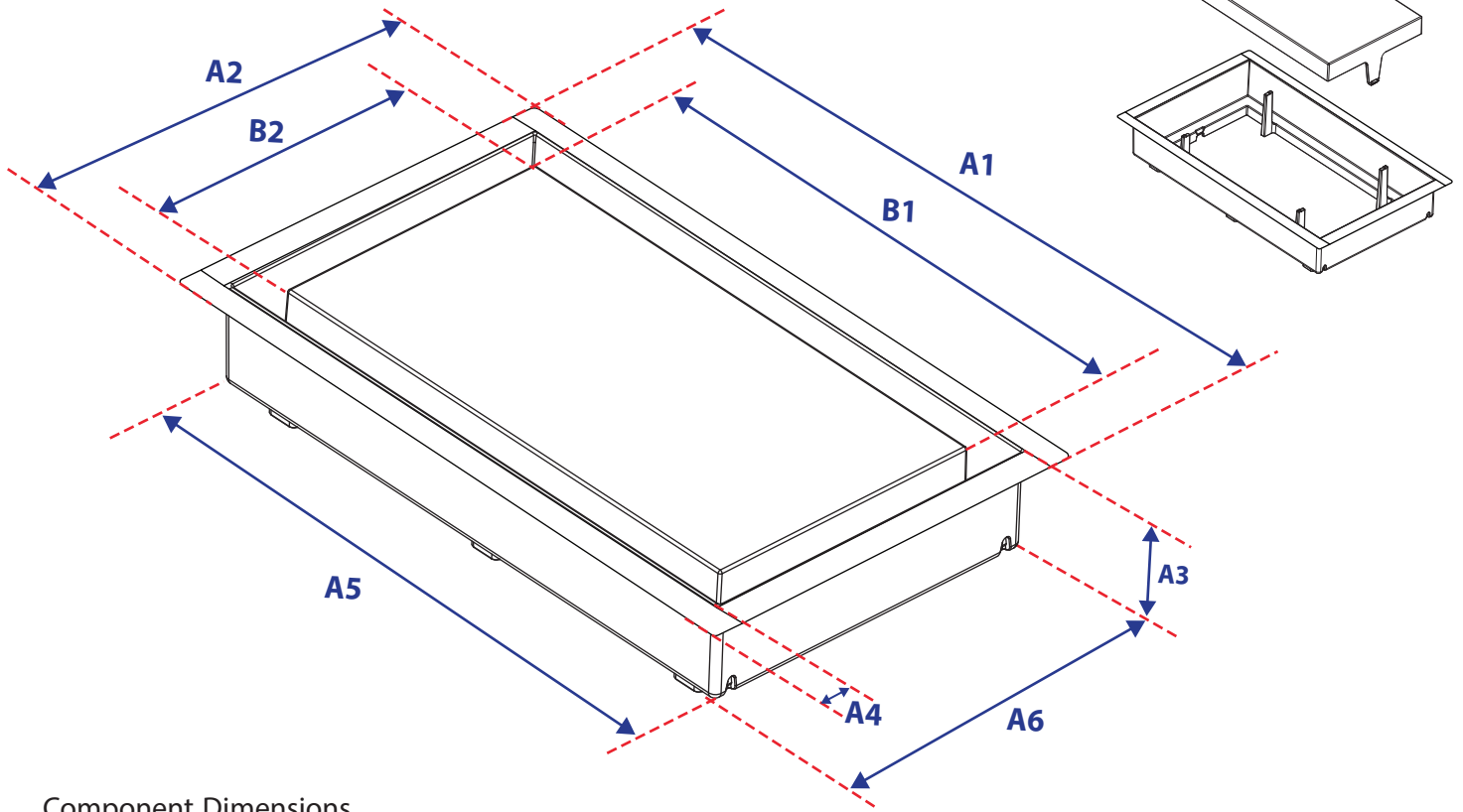




Framed Wall Vent [Lite] 6X10  
Specification Sheet

Perspective View

Expanded View



Component Dimensions

	4"x10"		6"x10"		6"x12"		6"x14"	
A1	10 9/16"	268mm	10 1/8"	257mm	12 1/8"	257mm	14 1/8"	257mm
A2	4 1/2"	114mm	6 1/8"	127mm	6 1/8"	127mm	6 1/8"	127mm
A3	2"	51mm	1 29/32"	48mm	1 29/32"	48mm	1 29/32"	48mm
A4	5/8"	16mm	5/8"	16mm	5/8"	16mm	5/8"	16mm
A5	9 3/4"	248mm	8 7/8"	225mm	10 7/8"	276mm	12 7/8"	327mm
A6	3 3/4"	95mm	5 25/32"	147mm	5 25/32"	147mm	5 25/32"	147mm
B1	8 5/8"	219mm	9 3/4"	248mm	11 3/4"	298mm	13 3/4"	349mm
B2	2 9/16"	65mm	4 7/8"	124mm	4 7/8"	124mm	4 7/8"	124mm

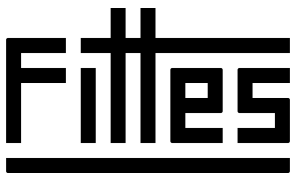
**Components**

Tray: Injection molded ABS plastic surface to be finished with paint or wallpaper. Tray can be removed for cleaning or duct access.

Body: Framed edge for quick and easy drop-in installation. No mudding or sanding required

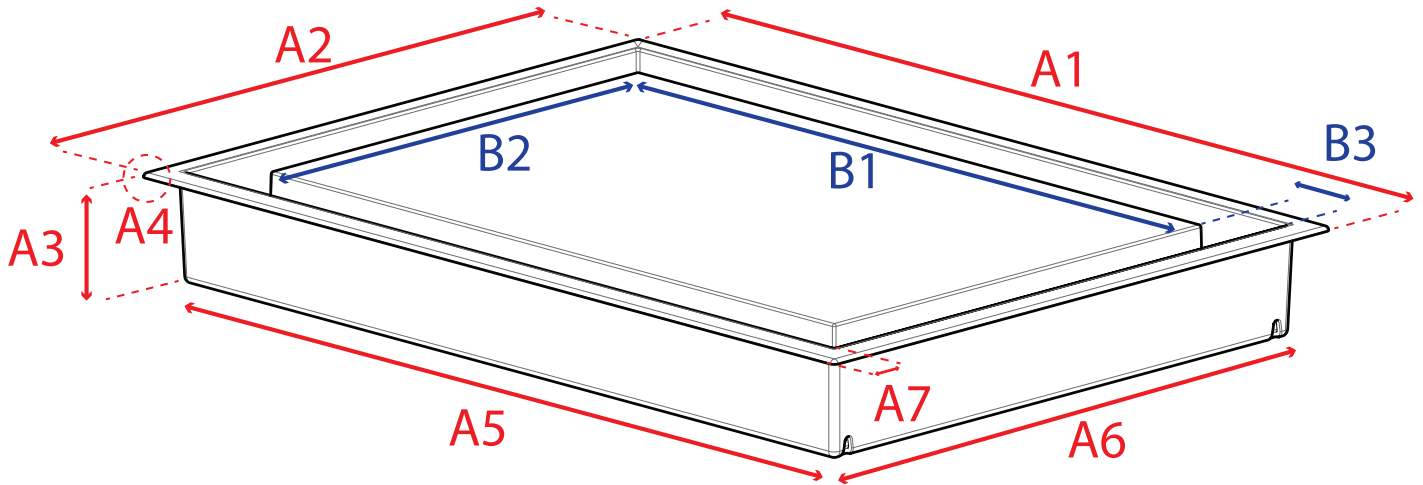
**Air Flow Control**

No air flow control on this model.

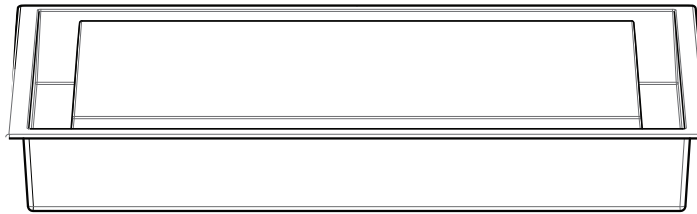


## Framed Wall Vent [Lite] Return Specification Sheet

Perspective View



Side View



### Component Dimensions

	10"x10"		10"x14.25"	
	Inches	MM	Inches	MM
A1	10 1 <sup>1</sup> / <sub>16</sub> "	271mm	14 15 <sup>15</sup> / <sub>16</sub> "	379mm
A2	10 1 <sup>1</sup> / <sub>16</sub> "	271mm	10 3 <sup>3</sup> / <sub>4</sub> "	273mm
A3	1 29 <sup>29</sup> / <sub>32</sub> "	48mm	1 3 <sup>3</sup> / <sub>4</sub> "	45mm
A4	1 <sup>1</sup> / <sub>8</sub> "	3mm	1 <sup>1</sup> / <sub>8</sub> "	3mm
A5	9 25 <sup>25</sup> / <sub>32</sub> "	248mm	14 3 <sup>3</sup> / <sub>16</sub> "	360mm
A6	9 25 <sup>25</sup> / <sub>32</sub> "	248mm	10"	254mm
A7	1 <sup>1</sup> / <sub>2</sub> "	12mm	1 <sup>1</sup> / <sub>2</sub> "	12mm
B1	8 11 <sup>11</sup> / <sub>32</sub> "	212mm	12 3 <sup>3</sup> / <sub>16</sub> "	310mm
B2	8 11 <sup>11</sup> / <sub>32</sub> "	212mm	7 15 <sup>15</sup> / <sub>16</sub> "	202mm
B3	15 <sup>15</sup> / <sub>16</sub> "	24mm	15 <sup>15</sup> / <sub>16</sub> "	24mm

### Components

**Plate:** Lightly textured flat plate to be finished with paint or wallpaper.

**Body:** Slim frame to be fastened to substrate.

### Air Flow Control

No air flow control on this model