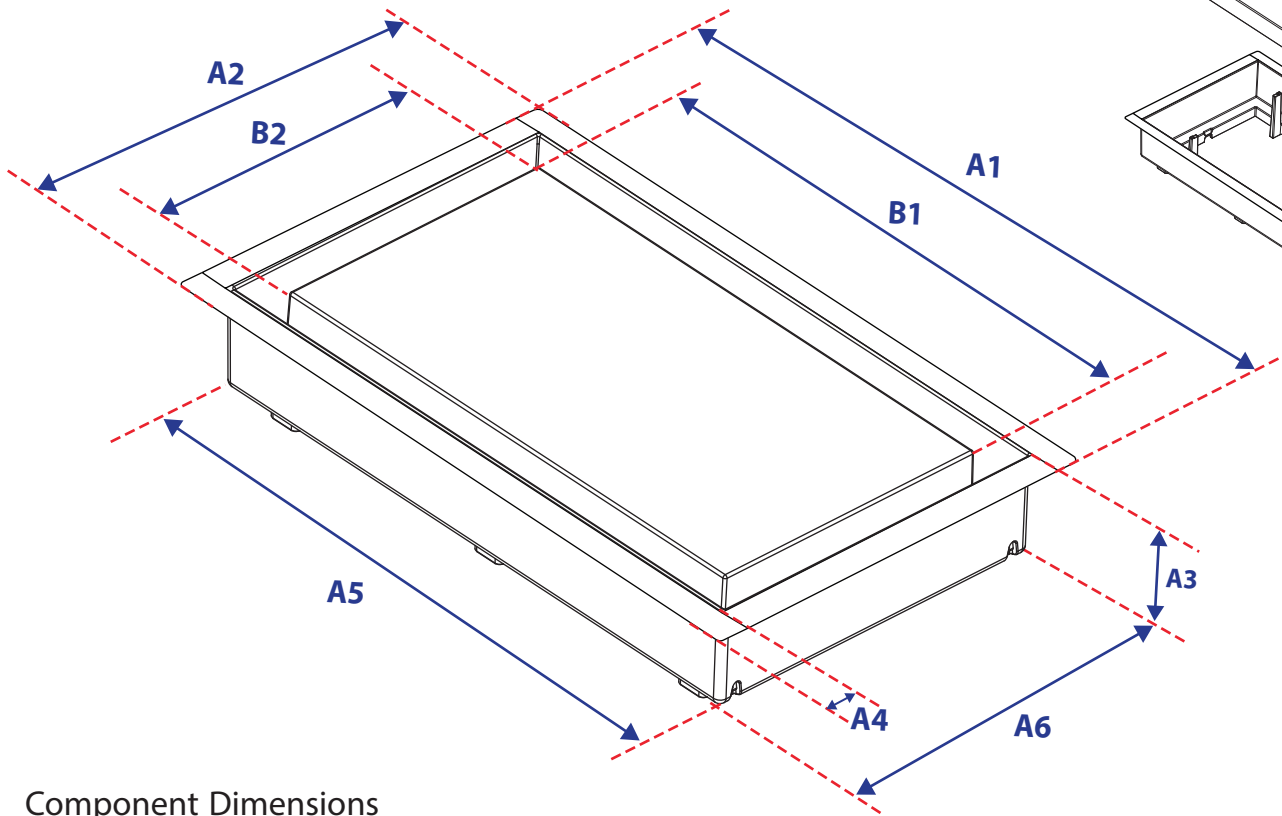


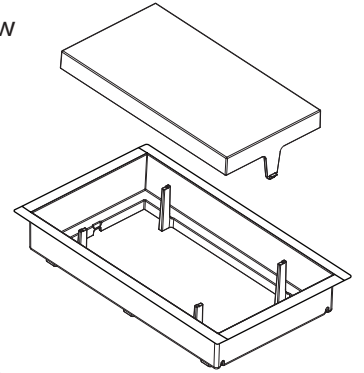


## Framed Wall Vent [Lite] 6X10 Specification Sheet

Perspective View



Expanded View



### Component Dimensions

Imperial

	6"x10"
A1	10 1/8"
A2	6 1/8"
A3	1 13/16"
A4	5/8"
A5	8 7/8"
A6	5 3/4"
B1	9 3/4"
B2	4 7/8"

Metric

	6"x10"
A1	257mm
A2	127mm
A3	46mm
A4	16mm
A5	225mm
A6	146mm
B1	248mm
B2	124mm

### Components

**Tray:** Injection molded ABS plastic surface to be finished with paint or wallpaper. Tray can be removed for cleaning or duct access.

**Body:** Framed edge for quick and easy drop-in installation. No mudding or sanding required

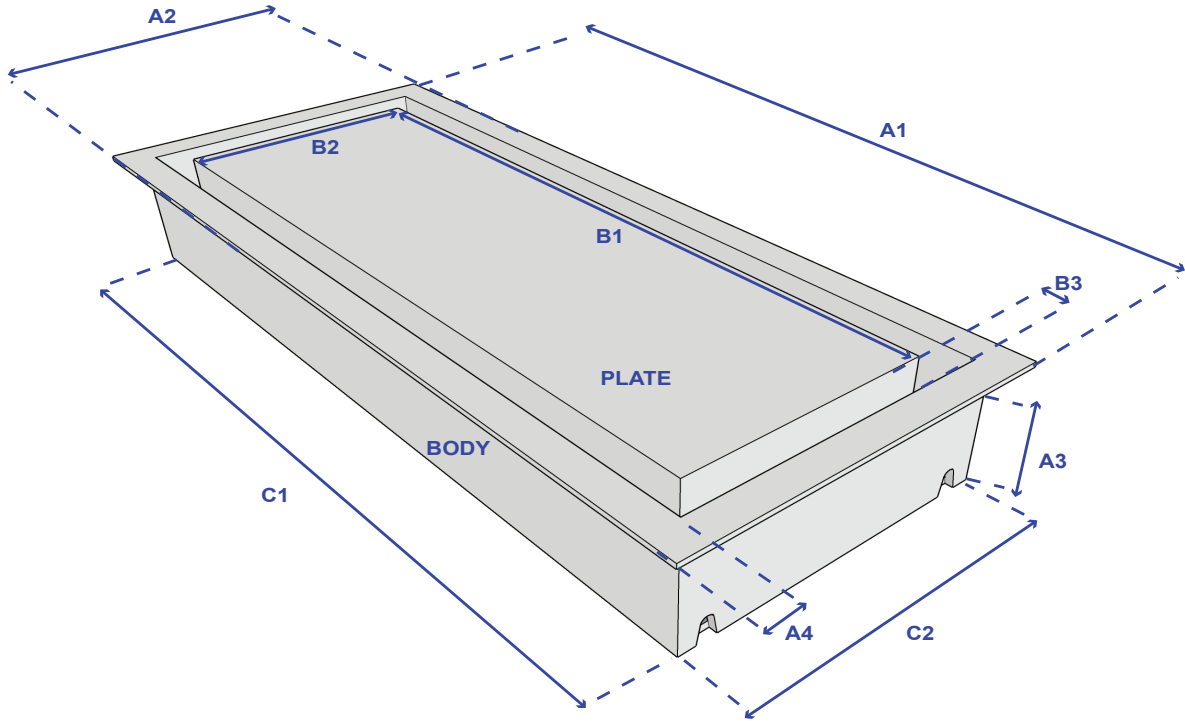
### Air Flow Control

No air flow control on this model.



Framed Wall Vent [Lite] 4X10  
Specification Sheet

Perspective View



Component Dimensions

Imperial

Metric

	4"X10"		4"X10"
A1	10 <sup>9</sup> / <sub>16</sub> "	A1	268mm
A2	4 <sup>1</sup> / <sub>2</sub> "	A2	114mm
A3	2"	A3	51mm
A4	1/2"	A4	13mm
B1	8 <sup>5</sup> / <sub>8</sub> "	B1	219mm
B2	2 <sup>9</sup> / <sub>16</sub> "	B2	65mm
B3	1/2"	B3	13mm
C1	9 <sup>3</sup> / <sub>4</sub> "	C1	248mm
C2	3 <sup>3</sup> / <sub>4</sub> "	C2	95mm

Side View



**Components**

Plate: Lightly textured flat plate to be finished with paint or wallpaper.

Body: Slim frame to be fastened to substrate.

**Air Flow Control**

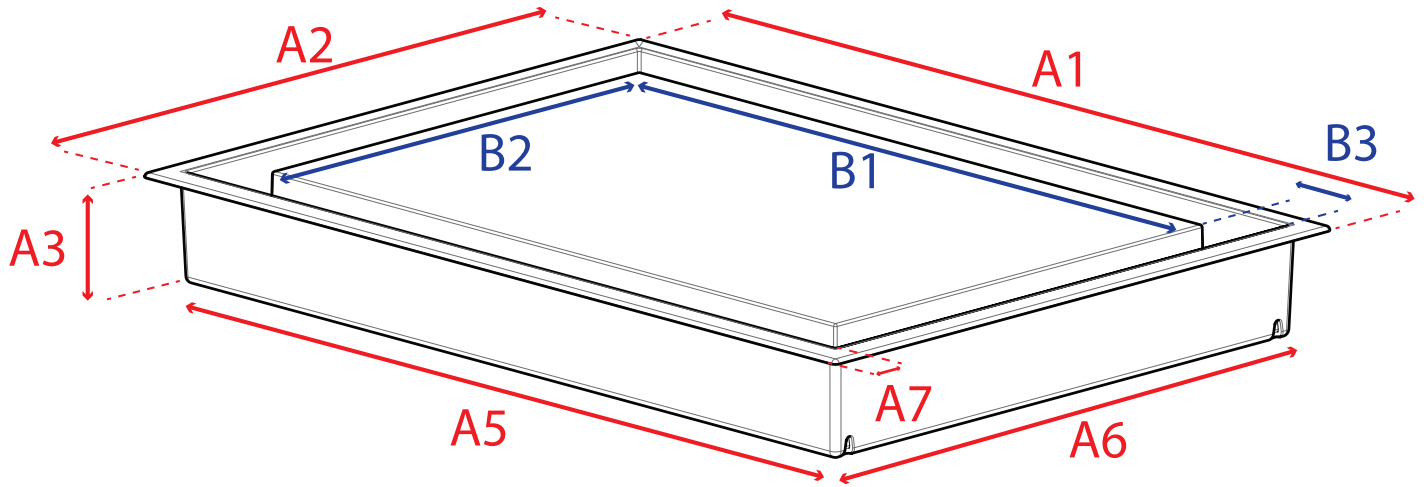
No air flow control on this model

Size & Colour	4"x10"
White	✓

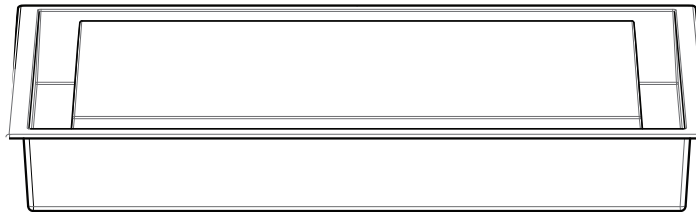


Framed Wall Vent [Lite] Return  
Specification Sheet

Perspective View



Slide View



**Component Dimensions**

LITE	10"x14.25"	
	Inches	MM
A1	14 15/16"	379mm
A2	10 3/4"	273mm
A3	1 3/4"	45mm
A4	1/8"	3mm
A5	14 3/16"	360mm
A6	10"	254mm
A7	1/2"	12mm
B1	12 3/16"	310mm
B2	7 15/16"	202mm
B3	15/16"	24mm

**Components**

**Plate:** Lightly textured flat plate to be finished with paint or wallpaper.

**Body:** Slim frame to be fastened to substrate.

**Air Flow Control**

No air flow control on this model