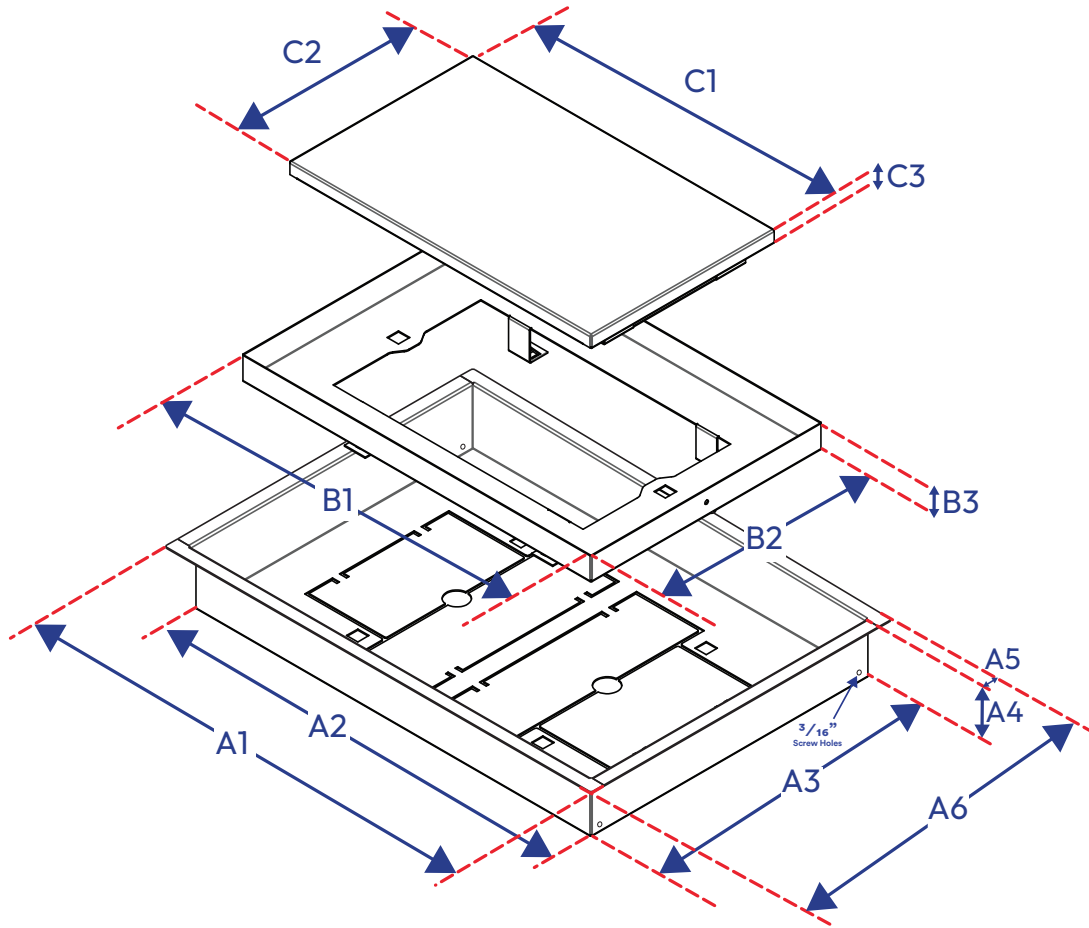




High Performance Framed Wall Vent [Luxe]

Specification Sheet

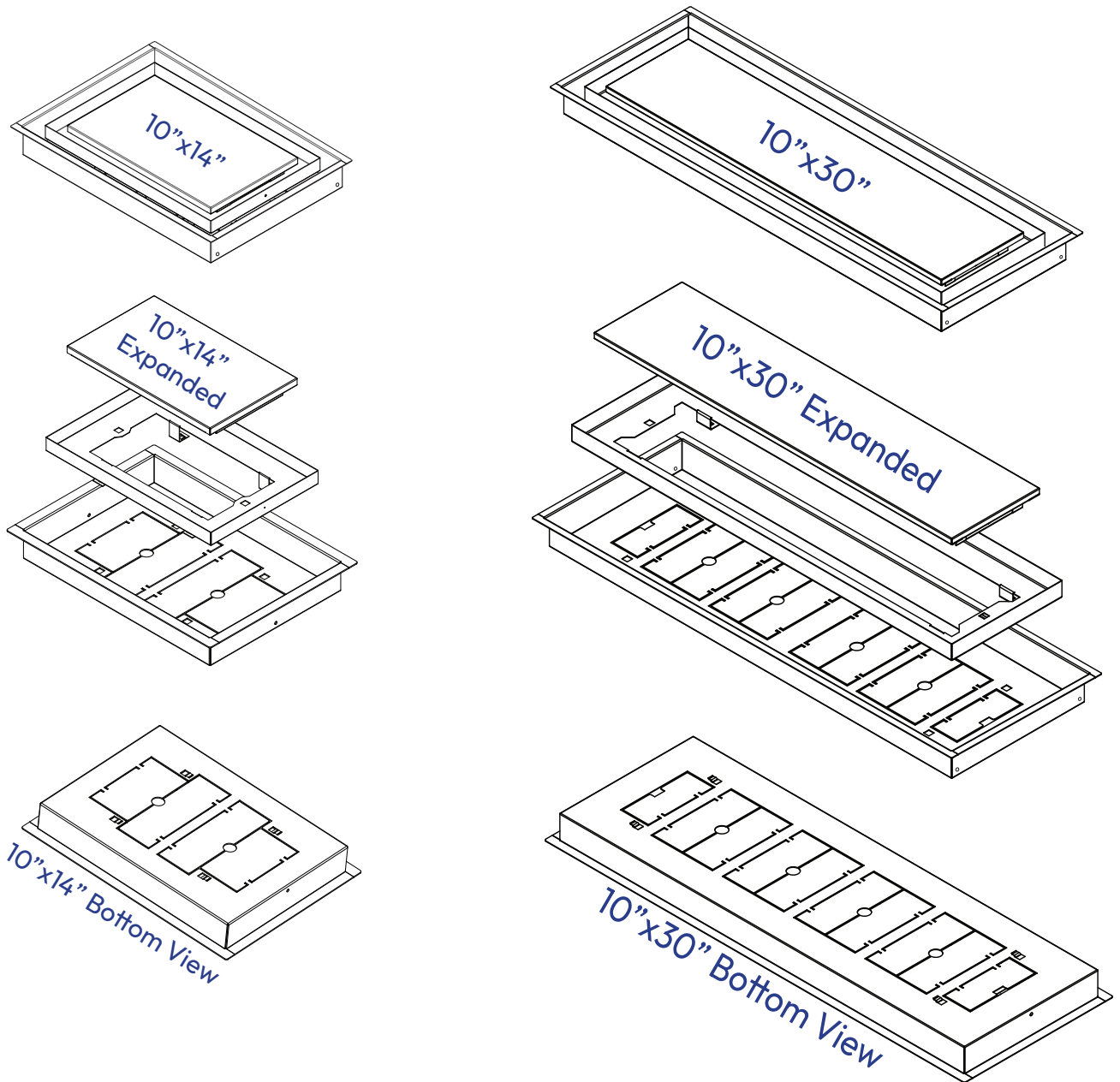
Perspective View



Component Dimensions

	4"x10"	4"x12"	6"x10"	6"x12"	6"x14"	8"x8"	10"x10"	12"x12"	10"x14"	10"x30"		4"x10"	4"x12"	6"x10"	6"x12"	6"x14"	8"x8"	10"x10"	12"x12"	10"x14"	10"x30"	
	Inches	Inches	Inches	Inches	Inches	Inches	Inches	Inches	Inches	Inches		MM	MM	MM	MM	MM	MM	MM	MM	MM	MM	MM
A1	10 15/16"	12 15/16"	10 15/16"	12 15/16"	14 15/16"	9 1/32"	10 15/16"	12 29/32"	15 1/2"	31 3/8"	A1	278mm	329mm	278mm	329mm	379mm	229mm	278mm	328mm	394mm	797mm	
A2	9 3/4"	11 3/4"	9 3/4"	11 3/4"	13 3/4"	7 7/8"	9 3/4"	11 3/4"	14 1/4"	30 1/4"	A2	248mm	298mm	248mm	298mm	349mm	200mm	248mm	298mm	362mm	768mm	
A3	3 3/4"	3 3/4"	5 3/4"	5 3/4"	5 3/4"	7 7/8"	9 3/4"	11 3/4"	10"	10"	A3	95mm	95mm	146mm	146mm	146mm	200mm	248mm	298mm	254mm	254mm	
A4	1 29/32"	1 29/32"	1 27/32"	1 27/32"	1 27/32"	1 29/32"	1 29/32"	1 13/16"	1 3/4"	1 1/4"	A4	48mm	48mm	47mm	47mm	47mm	48mm	48mm	46mm	44 mm	32mm	
A5	5/8"	5/8"	5/8"	5/8"	5/8"	5/8"	5/8"	5/8"	5/8"	5/8"	A5	16mm	16mm	16mm	16mm	16mm	16mm	16mm	16mm	16mm	16mm	
A6	4 15/16"	4 15/16"	6 15/16"	6 15/16"	6 15/16"	9 1/32"	10 15/16"	12 29/32"	11 1/4"	11 1/8"	A6	125mm	125mm	176mm	176mm	176mm	229mm	278mm	328mm	286mm	283mm	
B1	8 7/8"	10 25/32"	8 13/16"	10 13/16"	12 13/16"	6 9/16"	7 29/32"	9 29/32"	12 9/16"	28 1/2"	B1	225mm	274mm	224mm	275mm	325mm	167mm	201mm	252mm	319 mm	724mm	
B2	2 7/8"	2 3/4"	4 13/16"	4 13/16"	4 13/16"	6 9/16"	7 29/32"	9 29/32"	8 1/4"	8 5/16"	B2	51mm	70mm	122mm	122mm	122mm	167mm	201mm	252mm	210 mm	211mm	
B3	3 1/32"	3 1/32"	1 5/32"	1 5/32"	1 3/16"	1 1/32"	13/16"	7/8"	7/8"	1 1/8"	B3	25mm	25mm	29mm	29mm	46mm	26mm	21mm	22 mm	22 mm	29mm	
C1	7 29/32"	9 27/32"	7 7/8"	9 7/8"	11 7/8"	5 1/4"	6 3/32"	8 3/32"	10 15/16"	26 7/8"	C1	199mm	250mm	200mm	251mm	302mm	133mm	155mm	206mm	278 mm	683mm	
C2	1 29/32"	1 27/32"	3 7/8"	3 7/8"	3 7/8"	5 1/4"	6 3/32"	8 3/32"	6 5/8"	6 5/8"	C2	48mm	47mm	98mm	98mm	98mm	133mm	155mm	206mm	168 mm	165mm	
C3	13/32"	13/32"	17/32"	17/32"	17/32"	7/16"	7/16"	7/16"	7/16"	7/16"	C3	10mm	10mm	13mm	13mm	13mm	11mm	11mm	11mm	11 mm	11 mm	

Assembled View



Components

Body: Made from galvaneal steel that has been powder coated white. Framed edge for easy drop-in install. No mud or sanding required. This serves as a base for Tray 1 and Tray 2. Please see installation guide for proper install methods.

Tray 1: The larger of the two trays, made from galvaneal steel that has been powder coated white. Can slide to remove to access air flow flanges. This component can be painted to any color. Please see installation guide for proper install methods.

Tray 2: The smallest of the three components, made from galvaneal steel and powder coated white. Serves as a smooth, flat surface that can be painted or wallpapered, before or after installation. Please see installation guide for proper install methods