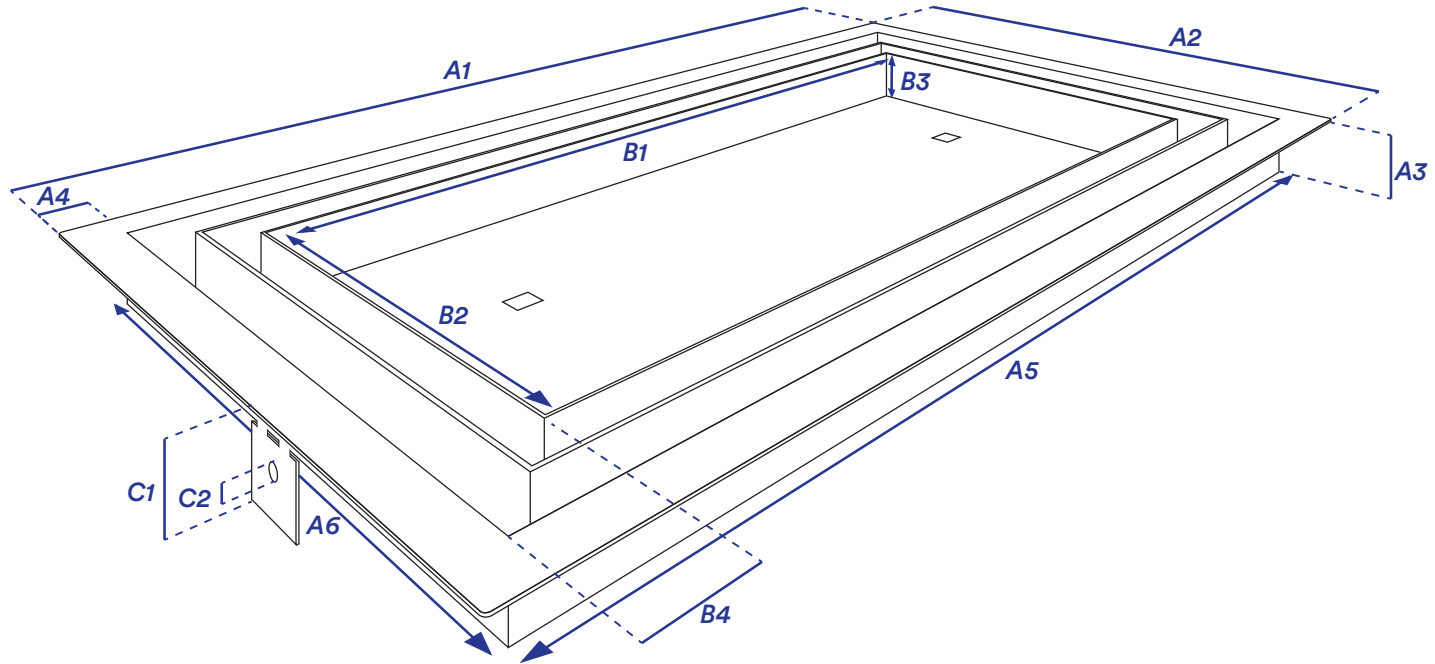




Framed OG Floor Vent [Luxe] Return
Specification Sheet

Perspective View



Component Dimensions

Imperial

Metric

	8" x 14 1/4"	8" x 30 1/4"		8" x 14 1/4"	8" x 30 1/4"
A1	15 7/16"	31 7/16"	A1	392 mm	799 mm
A2	9 3/16"	9 3/16"	A2	233 mm	233 mm
A3	7/8"	7/8"	A3	22 mm	22 mm
A4	5/8"	5/8"	A4	16 mm	16 mm
A5	14 1/4"	30 1/4"	A5	362 mm	768 mm
A6	8"	8"	A6	203 mm	203 mm
B1	5 5/8"	5 5/8"	B1	143 mm	143 mm
B2	11 7/8"	27 7/8"	B2	302 mm	708 mm
B3	3/4"	3/4"	B3	19 mm	19 mm
B4	1 1/8"	1 1/8"	B4	28 mm	28 mm
C1	1 3/4"	1 3/4"	C1	45 mm	45 mm
C2	3/16"	3/16"	C2	5 mm	5 mm

Components:

Tray: Insert finished surface material. Can slide and remove to access the duct.

Body: The outer shell of the vent that houses the tray.

Install Note:

This unit can be retrofitted and installed after the finish surface. Use your surface material to customize vent.

Compatible Surface Materials:

Tile, mosaic, hardwood, laminate, carpet, cork, drywall etc.

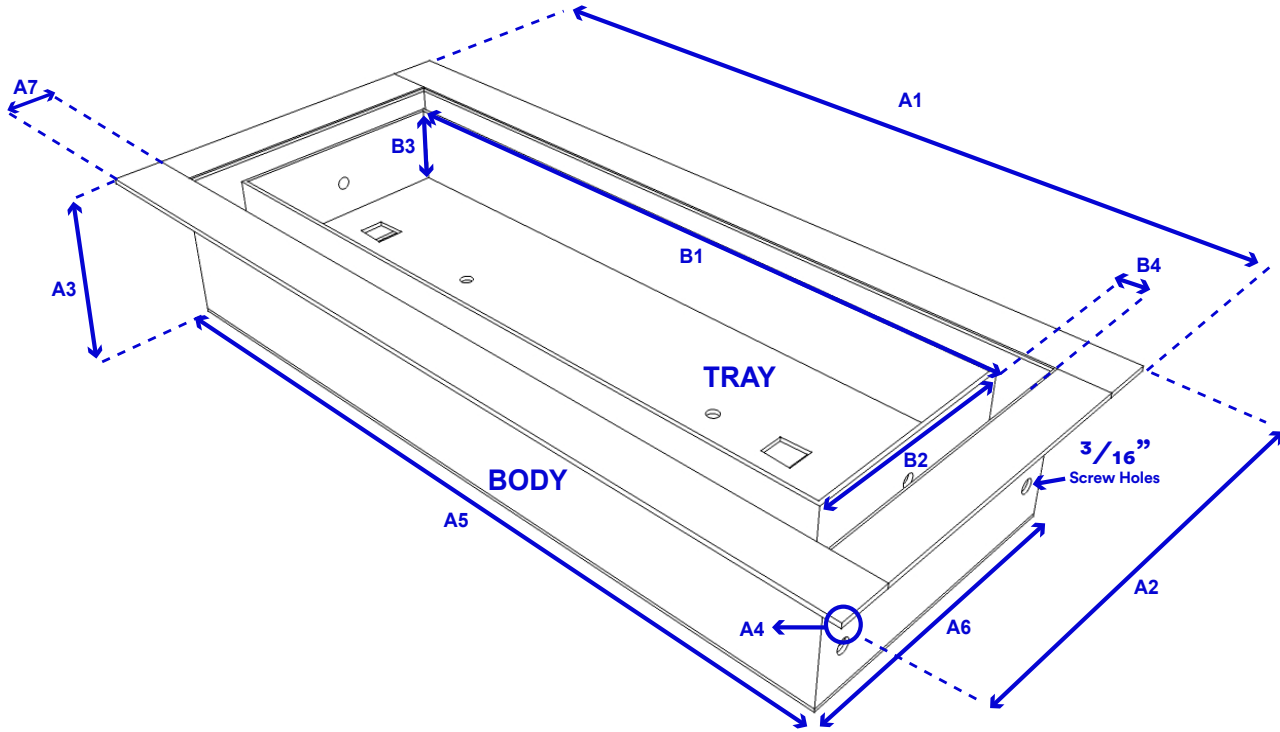
Air Flow Control:

No air flow control on this model



Framed OG Floor Vent [Luxe] Supply Specification Sheet

Perspective View



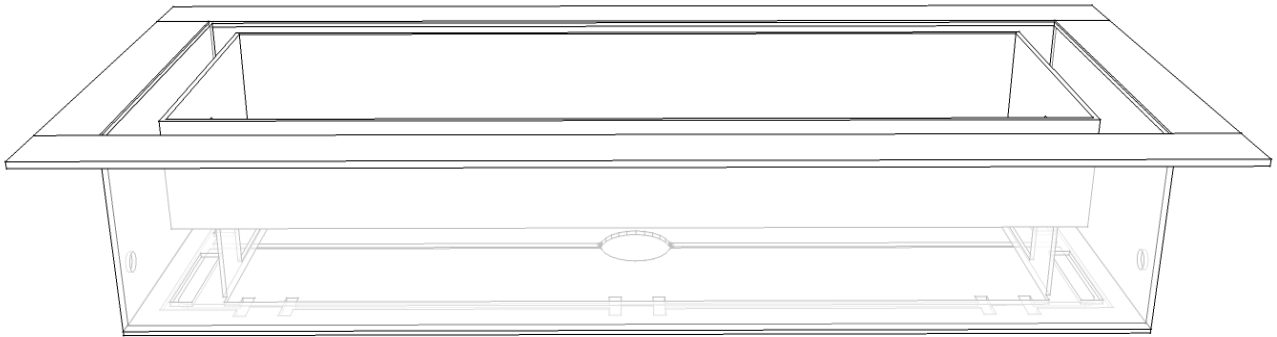
Component Dimensions

OG	2"X10"		2"X12"		3"X10"		4"X10"		4"X12"		4"X14"		6"X10"		6"X12"		8"X8"	
	Inches	MM	Inches	MM	Inches	MM	Inches	MM	Inches	MM	Inches	MM	Inches	MM	Inches	MM	Inches	MM
A1	10 3/4"	273	12 3/4"	324	11"	279	11"	279	13"	330	15"	381	11"	279	13"	330	8 7/8"	225
A2	3 1/8"	79	3 1/8"	79	4 1/16"	103	5"	127	5"	127	5"	127	7"	177	7"	177	8 7/8"	225
A3	1 13/16"	46	1 13/16"	46	1 13/16"	46	1 13/16"	46	1 13/16"	46	1 13/16"	46	1 13/16"	46	1 13/16"	46	1 13/16"	46
A4	1/16"	1	1/16"	1	1/32"	1	1/16"	1	1/16"	1	1/16"	1	1/16"	1	1/16"	1	1/16"	1
A5	9 3/4"	247	11 3/4"	298	9 3/4"	248	9 3/4"	248	11 3/4"	298	13 3/4"	349	9 3/4"	248	11 3/4"	298	7 3/4"	197
A6	2 1/8"	54	2 1/8"	54	2 7/8"	73	3 3/4"	95	3 3/4"	95	3 3/4"	95	5 3/4"	146	5 3/4"	146	7 3/4"	197
A7	5/8"	16	5/8"	16	5/8"	16	5/8"	16	5/8"	16	5/8"	16	5/8"	16	5/8"	16	5/8"	16
B1	8 3/4"	222	10 11/16"	271	8 11/16"	221	8 11/16"	221	10 11/16"	271	12 11/16"	322	8 11/16"	221	10 11/16"	271	6 11/16"	170
B2	1 3/16"	30	1 7/32"	31	1 15/16"	49	2 3/4"	70	2 3/4"	70	2 3/4"	70	4 3/4"	121	4 3/4"	121	6 11/16"	170
B3	7/8"	22	7/8"	22	7/8"	22	7/8"	22	7/8"	22	7/8"	22	7/8"	22	7/8"	22	7/8"	22
B4	3/8"	10	3/8"	10	3/8"	11	7/16"	11	7/16"	11	7/16"	11	7/16"	11	7/16"	11	7/16"	11



Framed OG Floor Vent [Luxe] Supply Specification Sheet

Side View



Components

Tray: Insert finished surface material. Can slide and remove to access air flow flanges.

Body: The outer shell of the vent that houses the tray. Flange located on bottom of body.

Install Note

This unit can be retrofitted and installed after the finish surface. Use your surface material to customize vent.

Compatible Surface Materials

Tile, mosaic, hardwood, laminate, carpet, cork, drywall etc.

Can be installed on floors, wall and ceiling vents.

Size & Colour	2"x10"	2"x12"	3"x10"	4"x10"	4"x12"	4"x14"	6"x10"	6"x12"	8"x8"
Matte Black	✓	✓	✓	✓	✓	✓	✓	✓	
Matte Grey			✓	✓					
Appliance White			✓	✓					