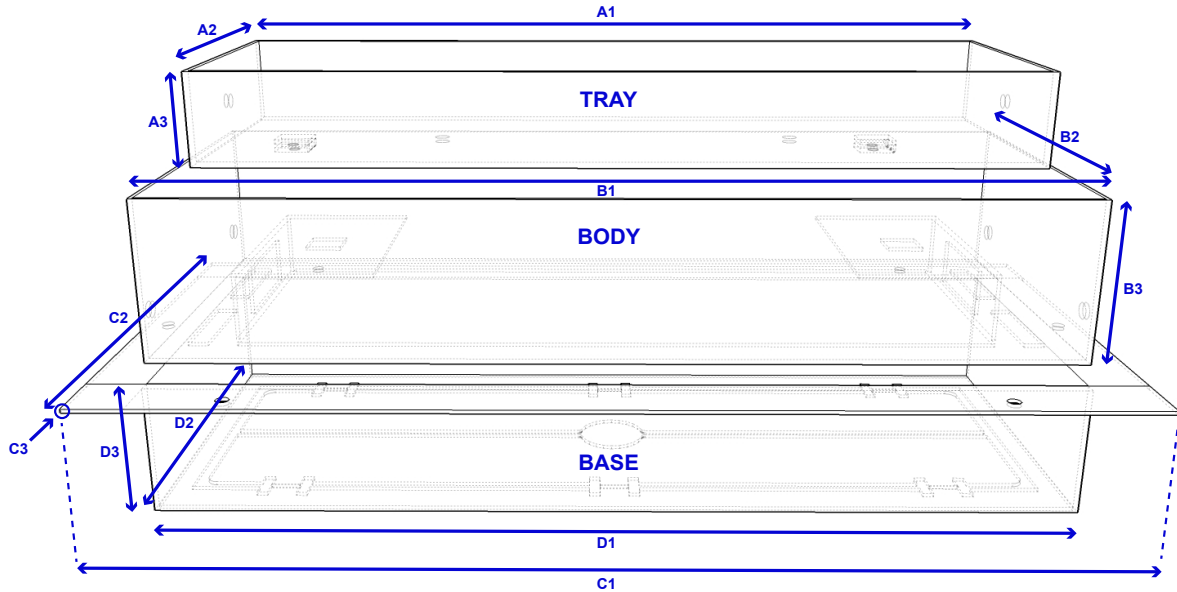


Flushmount PRO Model Specification Sheet

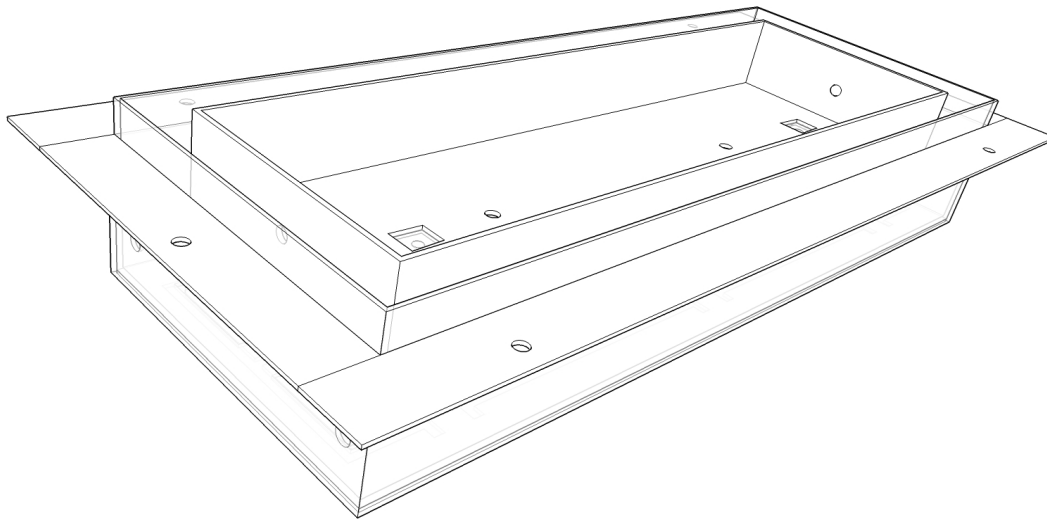
Side View (expanded)



Component Dimensions

FLUSHMOUNT PRO	3"x10"		4"x10"		4"x12"		4"x14"		6"x10"		6"x12"	
	Inches	Mm	Inches	MM	Inches	MM	Inches	MM	Inches	MM	Inches	MM
A1	8 13/16"	224mm	8 13/16"	224mm	10 13/16"	274mm	12 3/4"	324mm	8 3/4"	223mm	10 3/4"	273mm
A2	2"	51mm	2 13/16"	71mm	2 13/16"	71mm	2 13/16"	71mm	4 13/16"	123mm	4 13/16"	123mm
A3	1 5/16"	24mm	1 5/16"	24mm	1 5/16"	24mm	1 5/16"	24mm	1 5/16"	24mm	1 5/16"	24mm
B1	9 3/4"	248mm	9 3/4"	248mm	11 3/4"	298mm	13 3/4"	349mm	9 3/4"	247mm	11 3/4"	298mm
B2	2 13/16"	71mm	3 3/4"	95mm	3 3/4"	95mm	3 3/4"	95mm	5 3/4"	146mm	5 3/4"	146mm
B3	1 13/16"	46mm	1 13/16"	46mm	1 13/16"	46mm	1 13/16"	46mm	1 13/16"	46mm	1 13/16"	46mm
C1	10 7/8"	276mm	11 1/16"	281mm	13 1/16"	332mm	15 1/16"	383mm	11 1/16"	281mm	13 1/16"	332mm
C2	3 7/8"	98mm	5 1/16"	129mm	5 1/16"	129mm	5 1/16"	129mm	7 1/16"	180mm	7 1/16"	180mm
C3	1/32"	1mm	1/32"	1mm	1/32"	1mm	1/32"	1mm	1/32"	1mm	1/32"	1mm
D1	9 7/8"	251mm	9 15/16"	252mm	11 7/8"	302mm	13 7/8"	353mm	9 7/8"	251mm	11 7/8"	302mm
D2	2 7/8"	73mm	3 7/8"	98mm	3 7/8"	98mm	3 7/8"	98mm	5 7/8"	150mm	5 7/8"	150mm
D3	1 5/8"	41mm	1 5/8"	41mm	1 5/8"	41mm	1 5/8"	41mm	1 5/8"	41mm	1 5/8"	41mm

**Flushmount PRO Model
 Specification Sheet**



COMPONENTS

Tray: Insert finished surface material. Can slide and remove to access air flow flanges.

Body: Adjustable to height of floor surface.

Base: Installed before surface material at sub-floor level.

INSTALL NOTE

This unit must be installed before flooring at sub-floor level. Use your surface material to customize vent.

COMPATIBLE SURFACE MATERIALS

Tile, mosaic, hardwood, laminate, carpet, cork etc. Material must be 1/8" thick or more. Maximum thickness is 7/8".

SIZE & COLOUR	3"X10"	4"X10"	4"X12"	4"X14"	6"X10"	6"X12"
MATTE BLACK	<input checked="" type="checkbox"/>	<input checked="" type="checkbox"/>	<input checked="" type="checkbox"/>	<input checked="" type="checkbox"/>	<input checked="" type="checkbox"/>	<input checked="" type="checkbox"/>
MATTE GREY	<input type="checkbox"/>	<input type="checkbox"/>	<input type="checkbox"/>	<input type="checkbox"/>	<input type="checkbox"/>	<input type="checkbox"/>
APPLIANCE WHITE	<input type="checkbox"/>	<input type="checkbox"/>	<input type="checkbox"/>	<input type="checkbox"/>	<input type="checkbox"/>	<input type="checkbox"/>