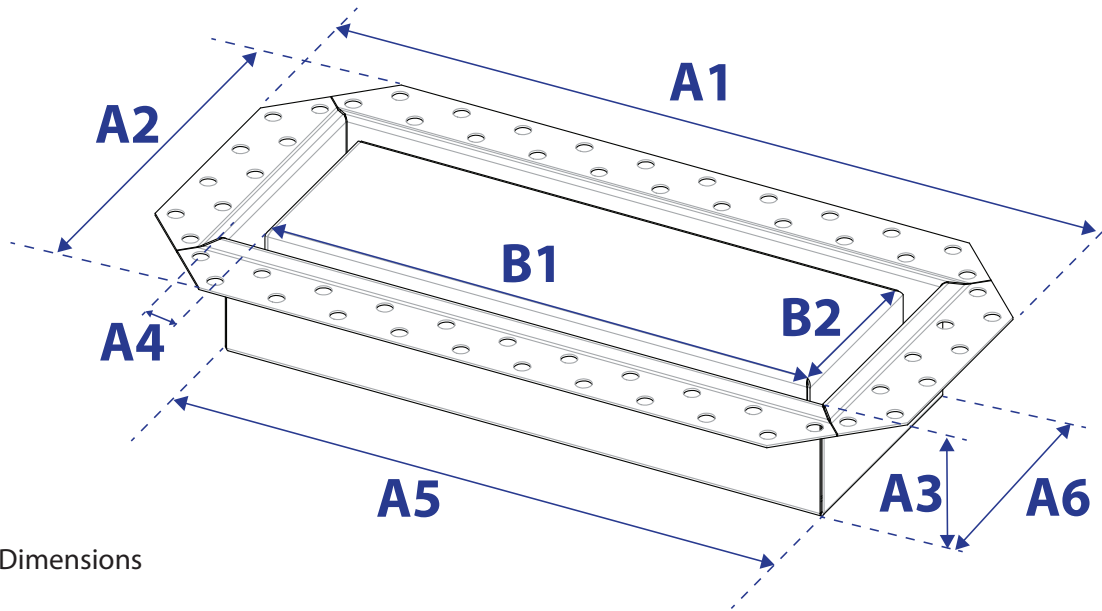




Flush Wall Vent [Luxe] Supply Specification Sheet

Perspective View



Component Dimensions

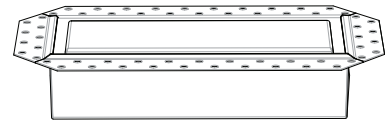
Imperial

| | 4"x10" | 4"x12" | 6"x10" | 6"x12" | 6"x14" | 10"x10" |
|----|---------|---------|---------|-----------|-----------|----------|
| A1 | 12 1/4" | 14 1/4" | 12 1/4" | 14 3/16" | 16 1/4" | 12 1/4" |
| A2 | 6 3/16" | 6 3/16" | 8 3/16" | 8 3/16" | 8 1/4" | 12 1/4" |
| A3 | 1 7/8" | 1 3/4" | 1 3/4" | 1 7/8" | 1 7/8" | 1 3/4" |
| A4 | 15/32" | 3/8" | 3/8" | 1/2" | 1/2" | 7/8" |
| A5 | 9 3/4" | 11 3/4" | 9 3/4" | 11 3/4" | 13 3/4" | 9 3/4" |
| A6 | 3 3/4" | 3 3/4" | 5 3/4" | 5 3/4" | 5 3/4" | 9 3/4" |
| B1 | 8 7/8" | 10 7/8" | 8 7/8" | 10 11/16" | 12 11/16" | 7 15/16" |
| B2 | 2 7/8" | 2 7/8" | 4 7/8" | 4 11/16" | 4 11/16" | 7 15/16" |

Metric

| | 4"x10" | 4"x12" | 6"x10" | 6"x12" | 6"x14" | 10"x10" |
|----|--------|--------|--------|--------|--------|---------|
| A1 | 311mm | 362mm | 311mm | 361mm | 412mm | 311mm |
| A2 | 158mm | 159mm | 209mm | 209mm | 209mm | 311mm |
| A3 | 44mm | 44mm | 44mm | 44mm | 44mm | 44mm |
| A4 | 12mm | 10mm | 10mm | 12mm | 12mm | 22mm |
| A5 | 248mm | 298mm | 248mm | 298mm | 349mm | 248mm |
| A6 | 95mm | 95mm | 146mm | 146mm | 146mm | 248mm |
| B1 | 226mm | 276mm | 226mm | 271mm | 322mm | 202mm |
| B2 | 73mm | 73mm | 124mm | 119mm | 119mm | 202mm |

Side View



Components

Tray: Powder coated surface to be finished with paint or wallpaper. Can slide and remove to access air flow dampers.

Body: Corner bead edge to be fastened to surface and finished with drywall mud.

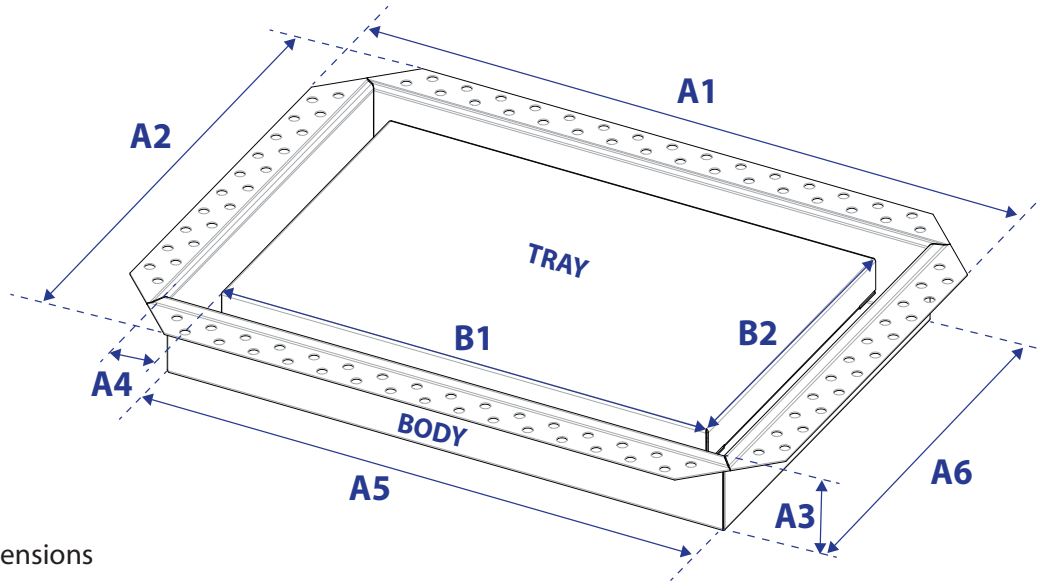
Air Flow Control

Air flow can be controlled at any time after install. Slide tray to access flanges. For optimal airflow open all dampers beyond 90°.



Flush Wall Vent [Luxe] Return Specification Sheet

Perspective View



Component Dimensions

Imperial

| | 10"x10" | 14 1/4"x10" | 30 1/4"x10" |
|----|----------|-------------|-------------|
| A1 | 12 1/4" | 16 13/16" | 32 3/4" |
| A2 | 12 1/4" | 12 7/16" | 12 1/2" |
| A3 | 1 3/4" | 1 3/4" | 1 3/4" |
| A4 | 7/8" | 7/8" | 7/8" |
| A5 | 9 3/4" | 14 1/4" | 30 1/4" |
| A6 | 9 3/4" | 10" | 10" |
| B1 | 7 15/16" | 12 7/16" | 28 1/2" |
| B2 | 7 15/16" | 8 3/16" | 8 1/4" |

Metric

| | 10"x10" | 14 1/4"x10" | 30 1/4"x10" |
|----|---------|-------------|-------------|
| A1 | 311mm | 425mm | 832mm |
| A2 | 311mm | 317mm | 317mm |
| A3 | 44mm | 44mm | 44mm |
| A4 | 22mm | 22mm | 12mm |
| A5 | 248mm | 362mm | 768mm |
| A6 | 248mm | 248mm | 248mm |
| B1 | 202mm | 317mm | 724mm |
| B2 | 202mm | 209mm | 209mm |

Side View



Components

Tray: Powder coated surface to be finished with paint or wallpaper. Can slide and remove to access air flow dampers.

Body: Corner bead edge to be fastened to surface and finished with drywall mud.

Air Flow Control

Air flow can be controlled at any time after install. Slide tray to access flanges. For optimal airflow open all dampers beyond 90°.