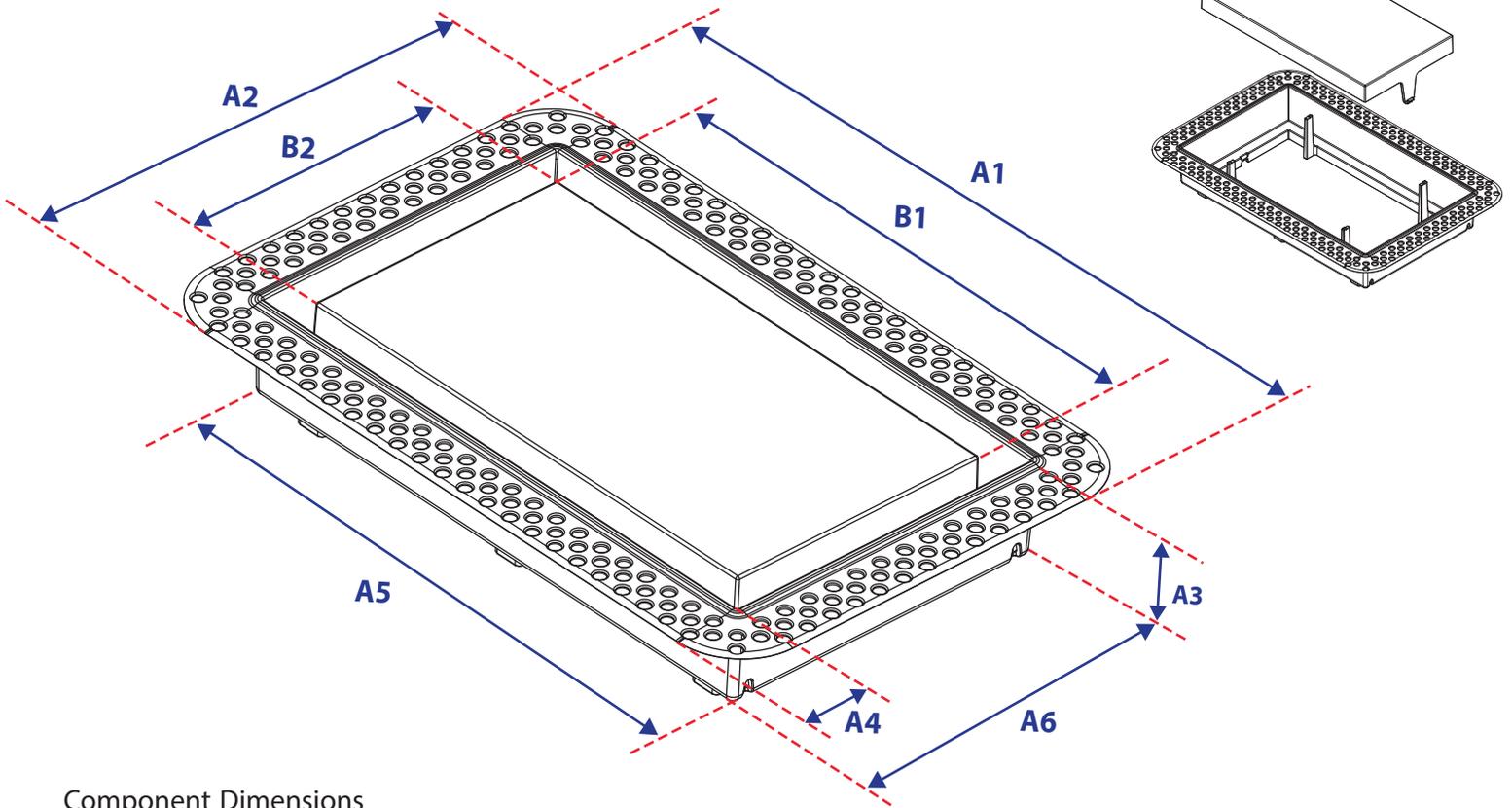


## Flush Wall Vent [Lite] 6X10 Specification Sheet

Perspective View

Expanded View



Component Dimensions

	4"x10"		6"x10"		6"x12"		6"x14"	
A1	11 3/4"	298mm	11 13/16"	300mm	13 13/16"	351mm	15 13/16"	376mm
A2	5 3/4"	146mm	7 13/16"	198mm	7 13/16"	198mm	7 13/16"	198mm
A3	2"	51mm	1 29/32"	48mm	1 29/32"	48mm	1 29/32"	48mm
A4	1 1/16"	27mm	1"	25mm	1"	25mm	1"	25mm
A5	9 3/4"	248mm	9 13/16"	249mm	11 13/16"	300mm	13 13/16"	351mm
A6	3 3/4"	95mm	5 25/32"	147mm	5 25/32"	147mm	5 25/32"	147mm
B1	8 5/8"	219mm	8 9/16"	217mm	10 11/32"	263mm	12 11/32"	314mm
B2	2 9/16"	65mm	4 19/32"	117mm	4 11/32"	110mm	4 11/32"	110mm

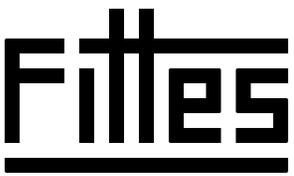
### Components

finished with paint or wallpaper. Tray can be removed for cleaning or duct access.

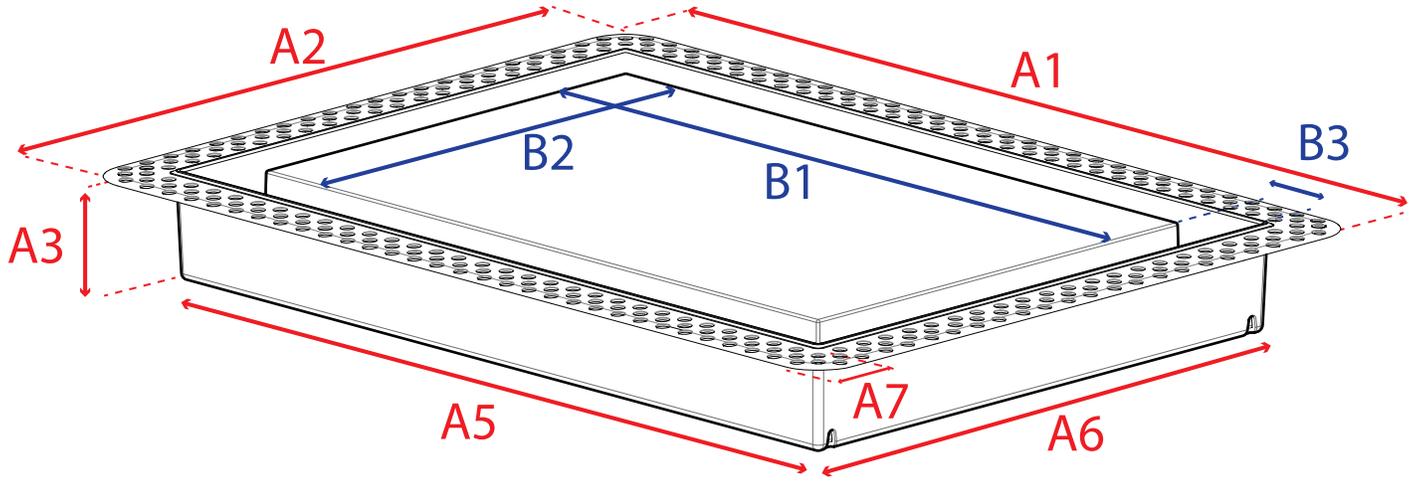
Body: Slim frame to be fastened to substrate. With muddable drywall bead for flush installation.

### Air Flow Control

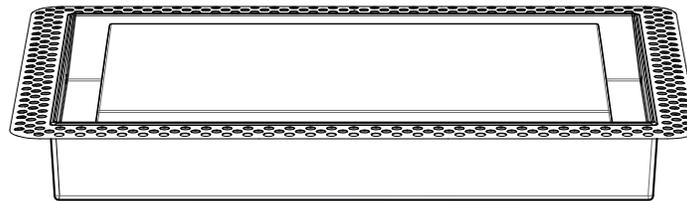
Adjustable dampers are available for purchase separately.



## Flush Wall Vent [Lite] Return Specification Sheet



Side View



### Component Dimensions

	10"x10"		10"x14.25"	
	Inches	MM	Inches	MM
A1	11 13/16"	300mm	16 3/16"	379mm
A2	11 13/16"	300mm	12"	273mm
A3	1 29/32"	48mm	1 3/4"	45mm
A5	9 25/32"	248mm	14 3/16"	360mm
A6	9 25/32"	248mm	10"	254mm
A7	1 1/16"	27mm	1 1/16"	27mm
B1	8 11/32"	212mm	12 3/16"	310mm
B2	8 11/32"	212mm	7 15/16"	202mm
B3	15/16"	24mm	15/16"	24mm

### Components

**Plate:** Lightly textured flat plate to be finished with paint or wallpaper.

**Body:** Slim frame to be fastened to substrate. With muddable drywall bead.

### Air Flow Control

No air flow control on this model