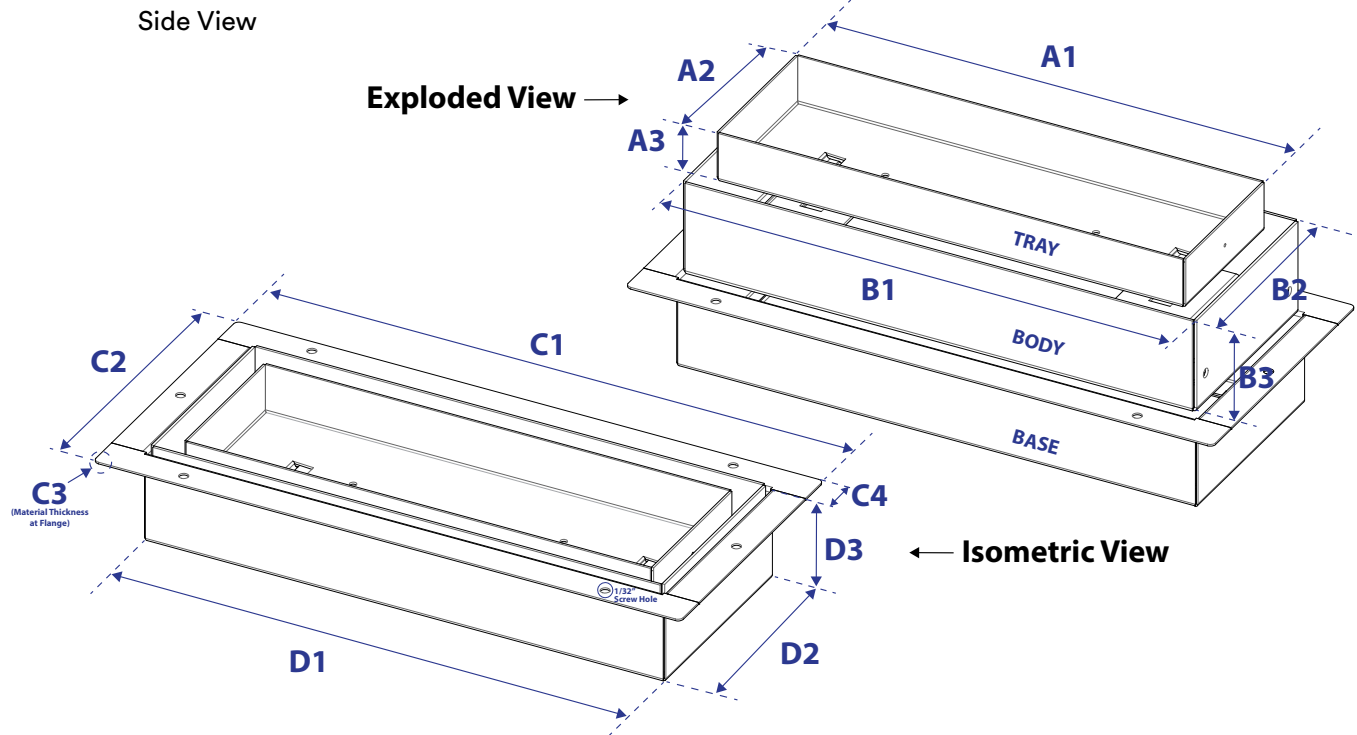




Flush Floor Vent [Luxe] Supply Specification Sheet

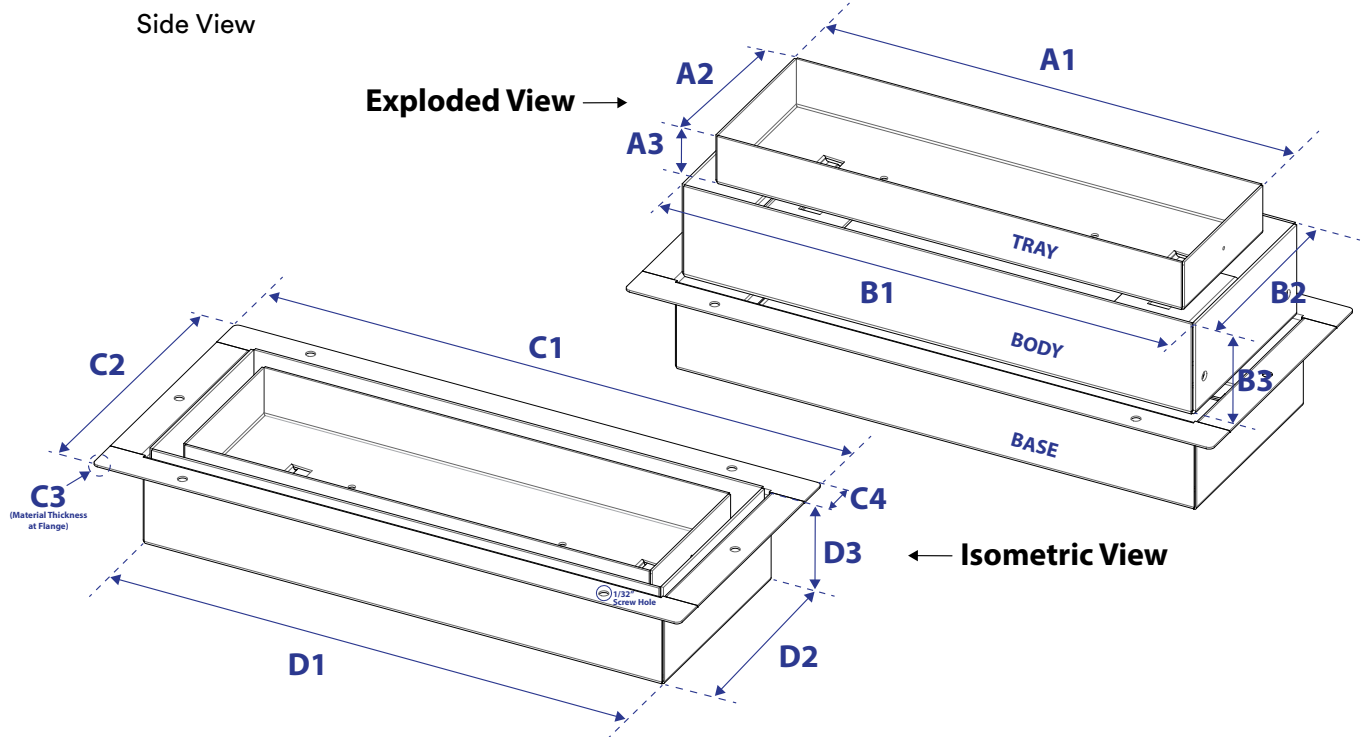


Component Dimensions

	2"x10"		2"x12"		3"x10"		4"x10"		4"x12"		4"x14"		6"x10"		6"x12"		8"x8"	
	Inches	MM	Inches	MM	Inches	MM	Inches	MM	Inches	MM	Inches	MM	Inches	MM	Inches	MM	Inches	MM
A1	8 3/4"	222	10 3/4"	273	8 11/16"	221	8 11/16"	221	10 11/16"	271	12 11/16"	322	8 5/8"	219	10 11/16"	271	6 11/16"	170
A2	1 3/16"	30	1 3/16"	30	1 3/4"	44	2 13/16"	71	2 13/16"	71	2 3/4"	70	4 3/4"	121	4 3/4"	121	6 11/16"	170
A3	7/8"	22	7/8"	22	7/8"	22	7/8"	22	7/8"	22	7/8"	22	7/8"	22	7/8"	22	7/8"	22
B1	9 3/4"	247	11 3/4"	298	9 3/4"	248	9 3/4"	248	11 3/4"	298	13 3/4"	349	9 3/4"	247	11 3/4"	298	7 3/4"	197
B2	1 5/16"	50	1 5/16"	50	2 13/16"	71	3 3/4"	95	3 3/4"	95	3 3/4"	95	5 3/4"	146	5 3/4"	146	7 3/4"	197
B3	1 3/4"	45	1 3/4"	45	1 13/16"	46	1 13/16"	46	1 13/16"	46	1 13/16"	46	1 13/16"	46	1 13/16"	46	1 13/16"	46
C1	10 13/16"	275	12 13/16"	327	10 7/8"	276	11 1/16"	281	13 1/16"	332	15 1/16"	383	11 1/16"	281	13 1/16"	332	9 1/16"	230
C2	3 1/8"	79	3 1/8"	79	3 7/8"	98	5 1/16"	129	5 1/16"	129	5 1/16"	129	7 1/16"	180	7 1/16"	180	9 1/16"	230
C3	1/32"	1	1/32"	1	1/32"	1	1/32"	1	1/32"	1	1/32"	1	1/32"	1	1/32"	1	1/32"	1
C3	5/8"	16	5/8"	16	5/8"	16	5/8"	16	5/8"	16	5/8"	16	5/8"	16	5/8"	16	5/8"	16
D1	9 13/16"	250	11 13/16"	301	9 7/8"	251	9 15/16"	252	11 7/8"	302	13 7/8"	353	9 7/8"	251	11 7/8"	302	7 7/8"	200
D2	2 1/8"	54	2 1/8"	54	2 7/8"	73	3 7/8"	98	3 7/8"	98	3 7/8"	98	5 7/8"	150	5 7/8"	150	7 7/8"	200
D3	1 11/16"	43	1 11/16"	43	1 5/8"	41	1 5/8"	41	1 11/16"	43	1 11/16"	43	1 11/16"	43	1 11/16"	43	1 11/16"	43



Flush Floor Vent [Lite] Supply
Specification Sheet



Components

Tray: Insert finished surface material. Can slide and remove to access air flow flanges.

Body: Adjustable to height of floor surface.

Base: Installed before surface material at sub-floor level.

Install Note

This unit must be installed before flooring at sub-floor level. Use your surface material to customize vent.

Compatible Surface Materials

Tile, mosaic, hardwood, laminate, carpet, cork etc. Material must be 1/8" thick or more.

Maximum thickness is 3/8".

Size & Colour	2"x10"	2"x12"	3"x10"	4"x10"	4"x12"	4"x14"	6"x10"	6"x12"	8"x8"
Matte Black	✓	✓	✓	✓	✓	✓	✓	✓	✓
Matte Grey									
Appliance White									