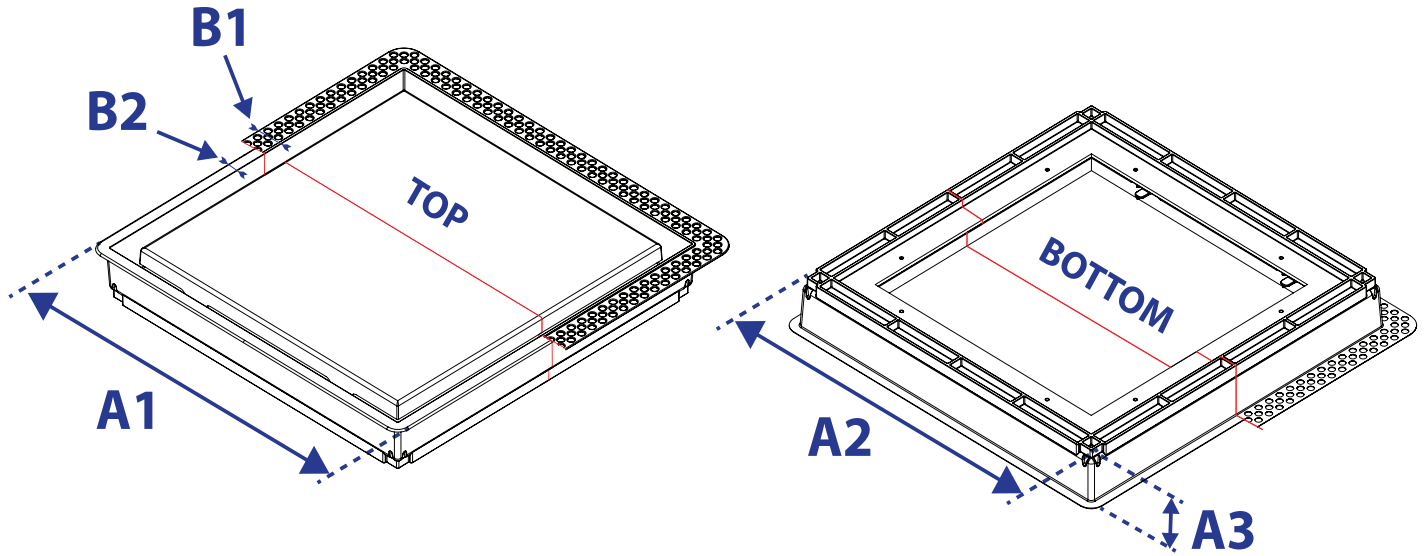




Framed Exhaust Mount [Lite]
Specification Sheet

Perspective View



Component Dimensions

Imperial

Metric

	14"X14"
A1	15 1/4"
A2	14 1/4"
A3	2 1/4"
B1	1 1/8"
B2	1/2"

	14"X14"
A1	387mm
A2	362mm
A3	57mm
B1	28mm
B2	13mm

Components

Tray: Injection molded ABS plastic to be finished with paint or wallpaper. Tray can be removed to access exhaust fan.

Body: Screw holes located on the bottom allow for mounting to exhaust fan. Plastic in the four corners are designed to be drilled through to allow mounting to ceiling frame.

Note

The Drywall X Lite is designed to drop into ceiling and does not require additional mudding or sanding.

Note

The **Drywall X Lite** is a perfect square (Length and width are the same measurement).