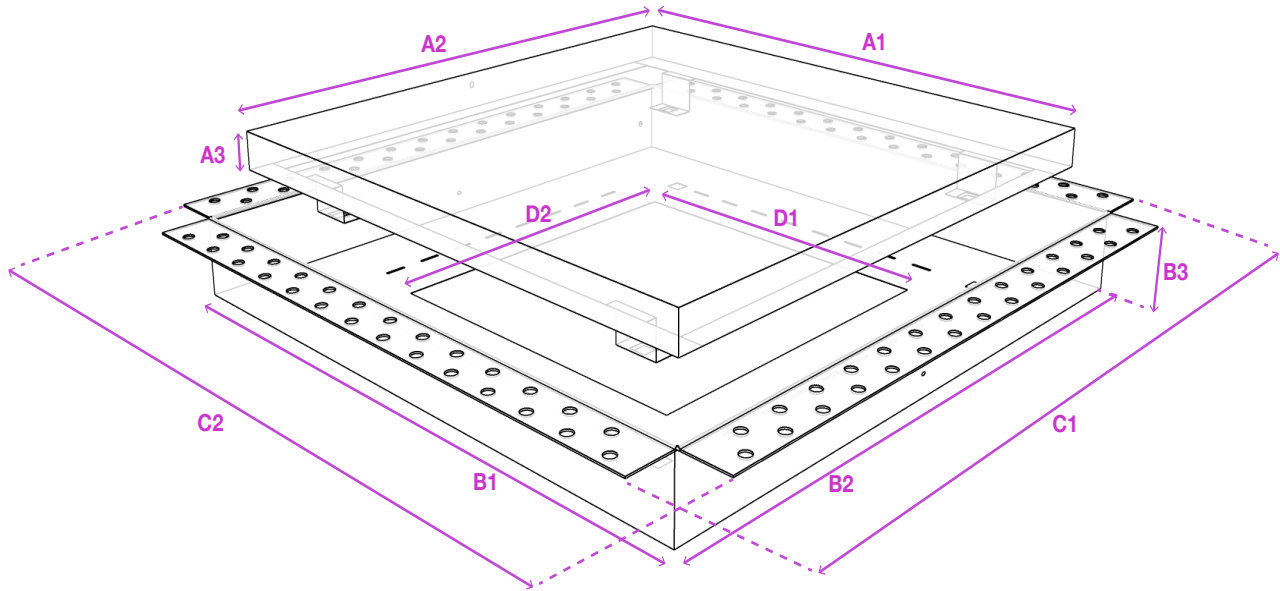




Drywall PRO X Model Specification Sheet

Perspective View (expanded)

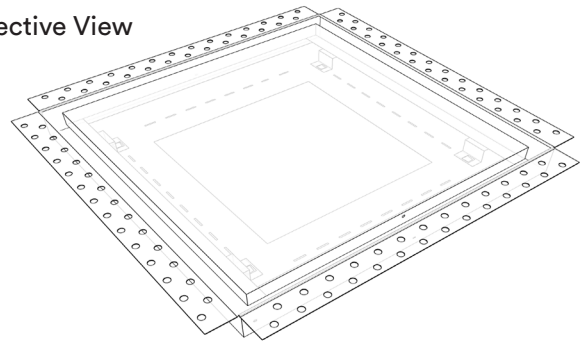


Component Dimensions

	Inches	MM
A1	13 1/16"	332mm
A2	13 1/16"	332mm
A3	1"	25mm
B1	14 1/4"	362mm
B2	14 1/4"	362mm
B3	1 3/4"	44mm
C1	16 3/4"	425mm
C2	16 3/4"	425mm
D1	8"	203mm
D2	8"	203mm

Size & Colour	14"X14"
Satin White	✓

Perspective View



Components

Tray: Powder coated surface to be finished with paint or wallpaper. Can slide and remove to access air flow flanges.

Body: Corner bead edge to be fastened to drywall. Mount exhaust fan motor to this piece. Finished with drywall mud.

Compatible Fans

Compatible with any retrofit fan models that require drywall opening between 8"x8" to 10 1/2" x 10 1/2" (figure 1.1)

*Requires extra 1 3/4" space in ceiling cavity. (figure 1.1)

Notable compatible fans are: Panasonic - WhisperCeiling, WhisperFit, WhisperGreen Select.

A Note

Some fans may require trimming the mounting flange on the fan. Double check before mounting by dry-fitting fan into Drywall Pro X opening. Test by sliding Drywall Pro X plate in the tabs - if the fan's flange obstructs the tabs, trim flange as needed.

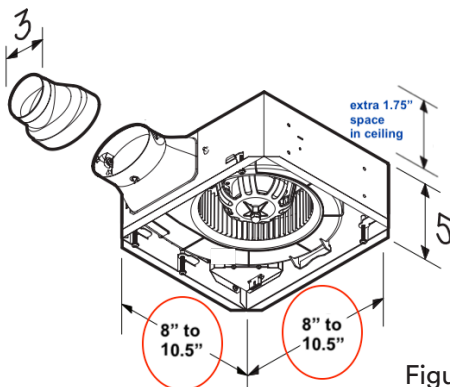


Figure 1.1