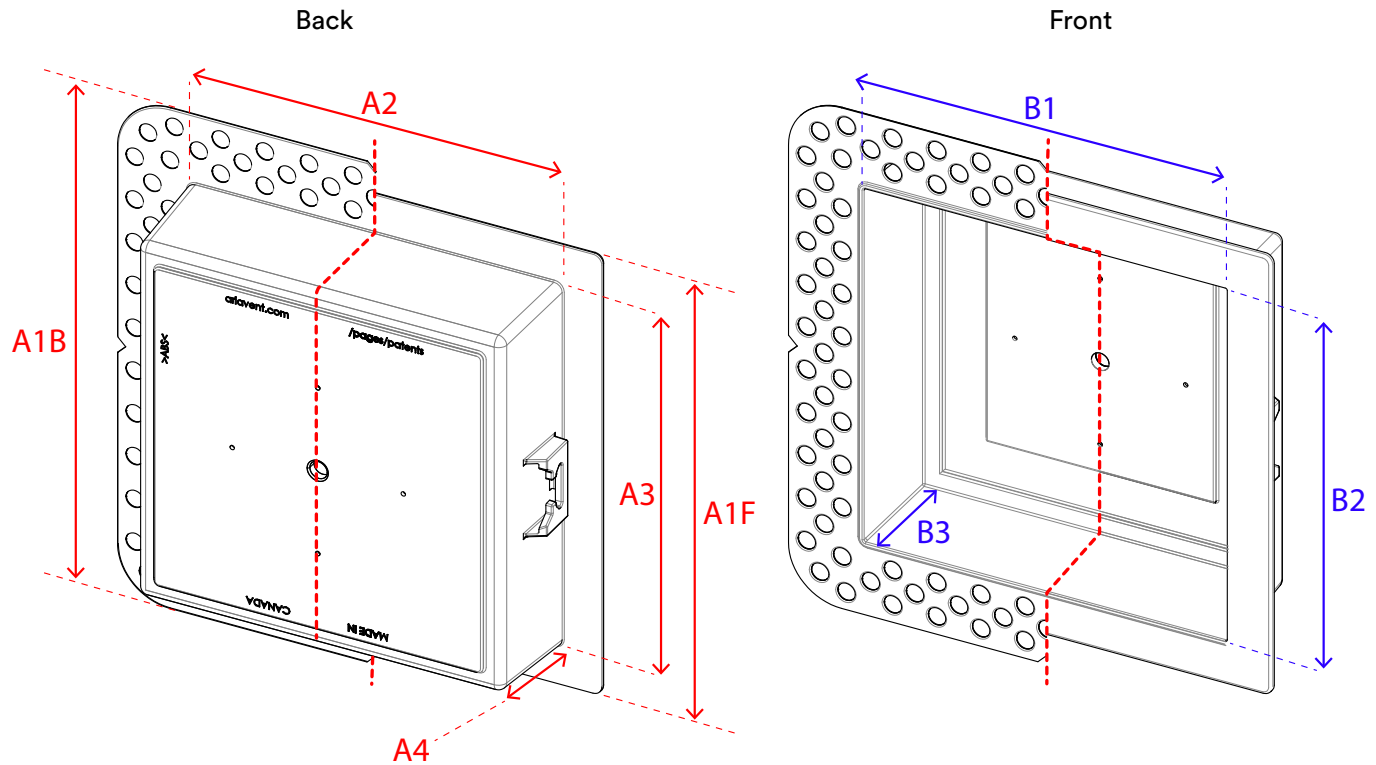




Device Mount [Flush + Framed] Specification Sheet



Component Dimensions

Imperial

Metric

| | Inches | | mm |
|-----|----------------------------------|-----|-------|
| A1B | 7 ⁵ / ₁₆ " | A1B | 186mm |
| A1F | 6 ³ / ₈ " | A1F | 162mm |
| A2 | 5 ⁵ / ₁₆ " | A2 | 135mm |
| A3 | 5 ⁵ / ₁₆ " | A3 | 135mm |
| A4 | 1 ¹ / ₂ " | A4 | 38mm |
| B1 | 5" | B1 | 127mm |
| B2 | 5" | B2 | 127mm |
| B3 | 1 ⁷ / ₁₆ " | B3 | 37mm |

Components

Single part, made from injection molded white ABS. Allows user to install pot lights and thermostats recessed into walls and ceilings.

Corner bead edge to be fastened to surface and finished with drywall mud.

Alternative drop in flange version can be installed without the need to drywall mud