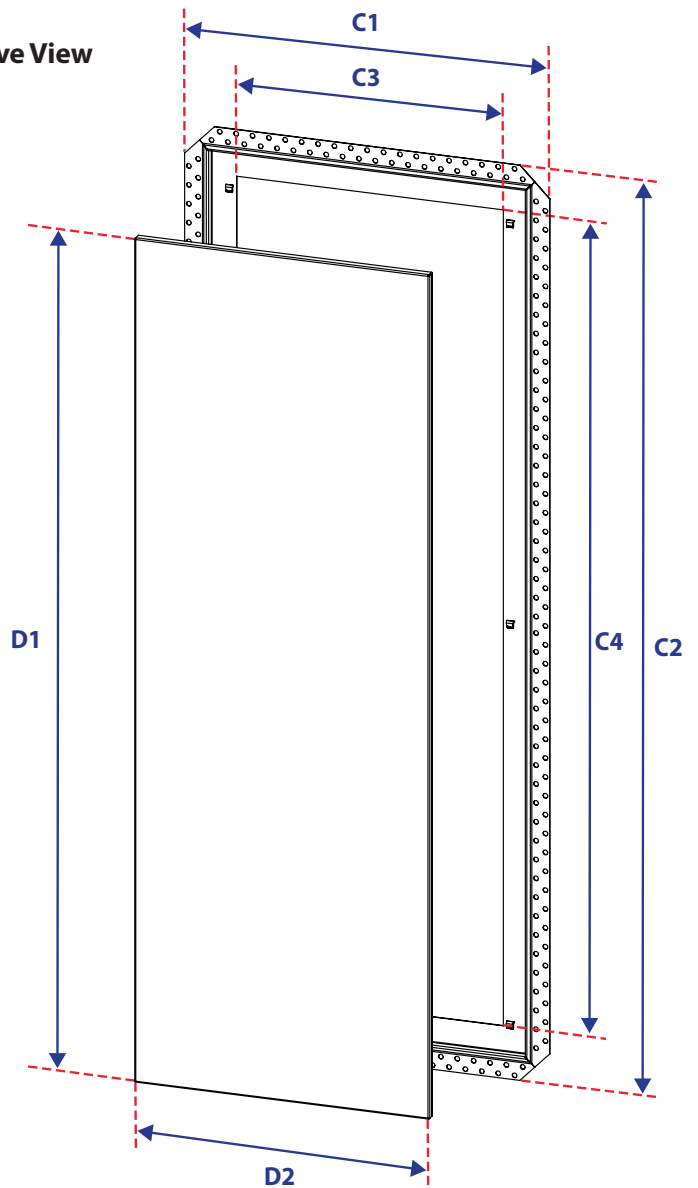


Perspective View



17"x17"		
A1	19 1/2"	495mm
A2	19 1/2"	495mm
A3	14 1/4"	362mm
A4	14 1/4"	362mm
B1	15 3/4"	400mm
B2	15 3/4"	400mm

Note

Product dimensions (eg. 17x17) refer to the size of cut-out needed to install the product. Therefore, the 17x17 needs a cut-out 17"(432mm) by 17"(432mm) and the 17x46 need a cut-out 17"(432mm) by 46"(1168mm) in order to be installed.

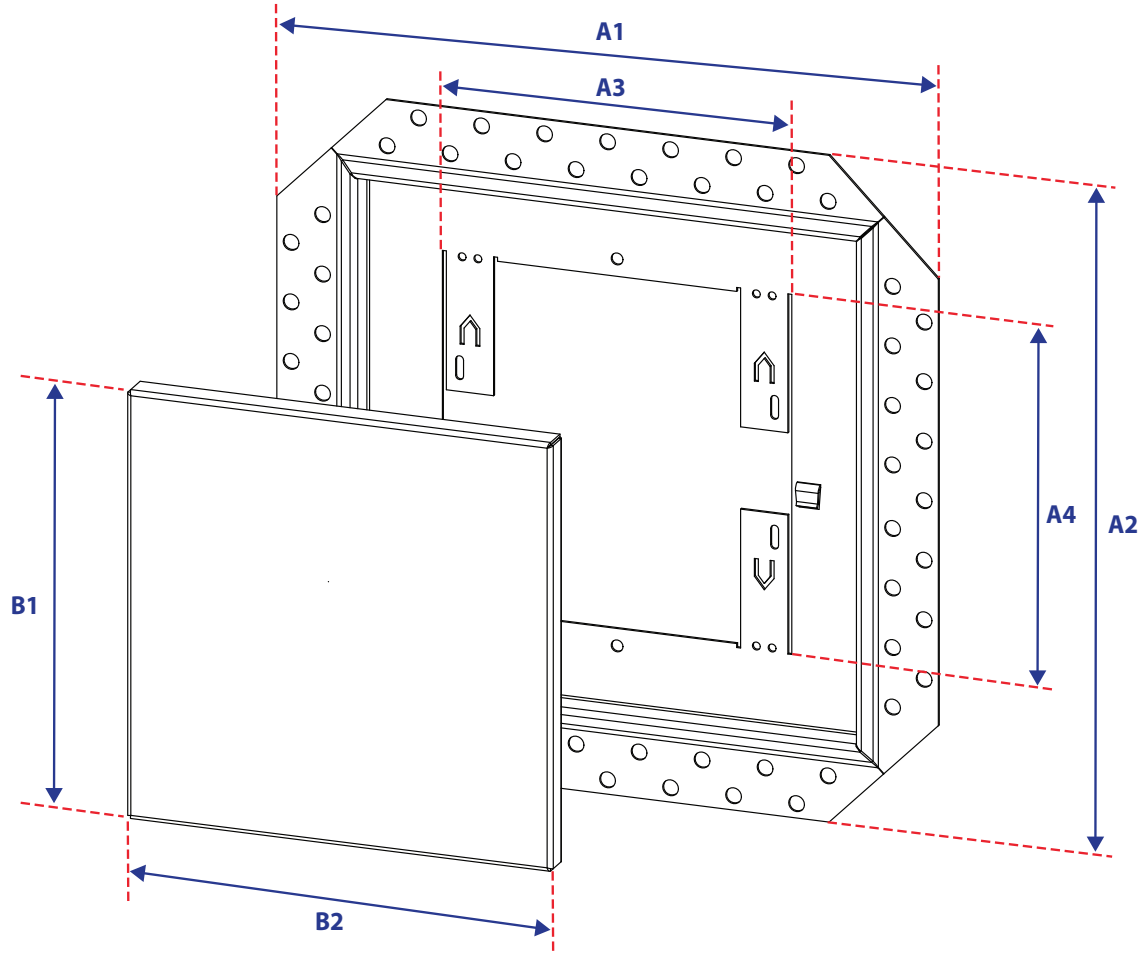
Components

Tray: Powder coated surface to be finished with paint or wallpaper. Can slide and remove to access hidden components.

Body: Corner bead edge to be fastened to drywall. Mount body between drywall studs. Finish with drywall mud.

17"x46"		
C1	19 1/2"	495mm
C2	48 1/2"	1232mm
C3	14 1/4"	362mm
C4	43 1/4"	1099mm
D1	44 3/4"	1137mm
D2	15 3/4"	400mm

Small Flush Access Panel [Luxe] Specification Sheet



	8"x8"		10"x13"		12"x12"	
A1	10 ½"	267mm	14 ⅛"	359mm	14 ½"	362mm
A2	10 ½"	267mm	17 ⅞"	454mm	14 ½"	362mm
A3	5 ⅞"	140mm	8 ⅞"	225mm	9 ¼"	235mm
A4	5 ⅞"	140mm	12 ⅝"	321mm	9 ¼"	235mm
B1	6 ¾"	171mm	14 ⅛"	359mm	10 ¾"	273mm
B2	6 ¾"	171mm	10 ⅜"	264mm	10 ¾"	273mm

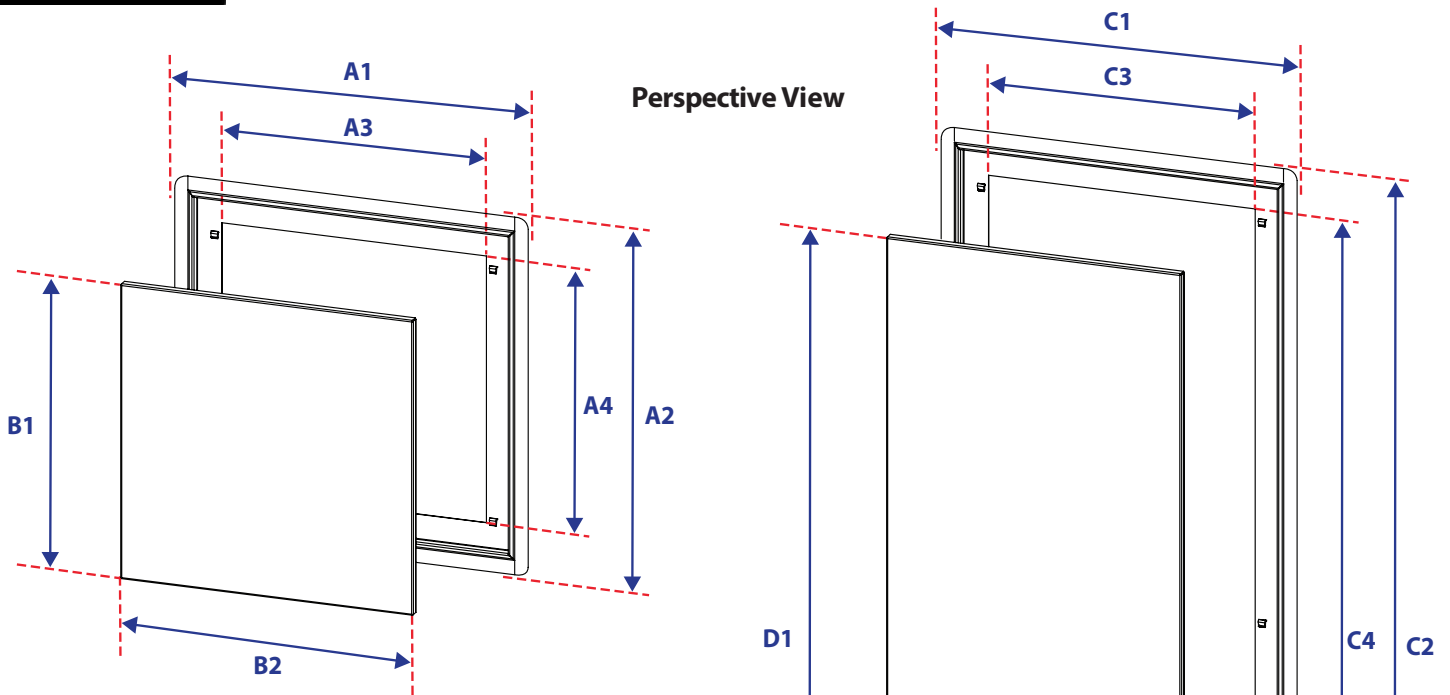
Note

Product dimensions (eg. 17x17) refer to the size of cut-out needed to install the product. Therefore, the 17x17 needs a cut-out 17"(432mm) by 17"(432mm) and the 17x46 need a cut-out 17"(432mm) by 46"(1168mm) in order to be installed.

Components

Tray: Powder coated surface to be finished with paint or wallpaper. Can slide and remove to access hidden components.

Body: Corner bead edge to be fastened to drywall. Mount body between drywall studs. Finish with drywall mud.



	17"x17"	
A1	18 ¼"	464mm
A2	18 ¼"	464mm
A3	14 ¼"	362mm
A4	14 ¼"	362mm
B1	15 ¾"	400mm
B2	15 ¾"	400mm

Note

Product dimensions (eg. 17x17) refer to the size of cut-out needed to install the product. Therefore, the 17x17 needs a cut-out 17"(432mm) by 17"(432mm) and the 17x46 need a cut-out 17"(432mm) by 46"(1168mm) in order to be installed.

Components

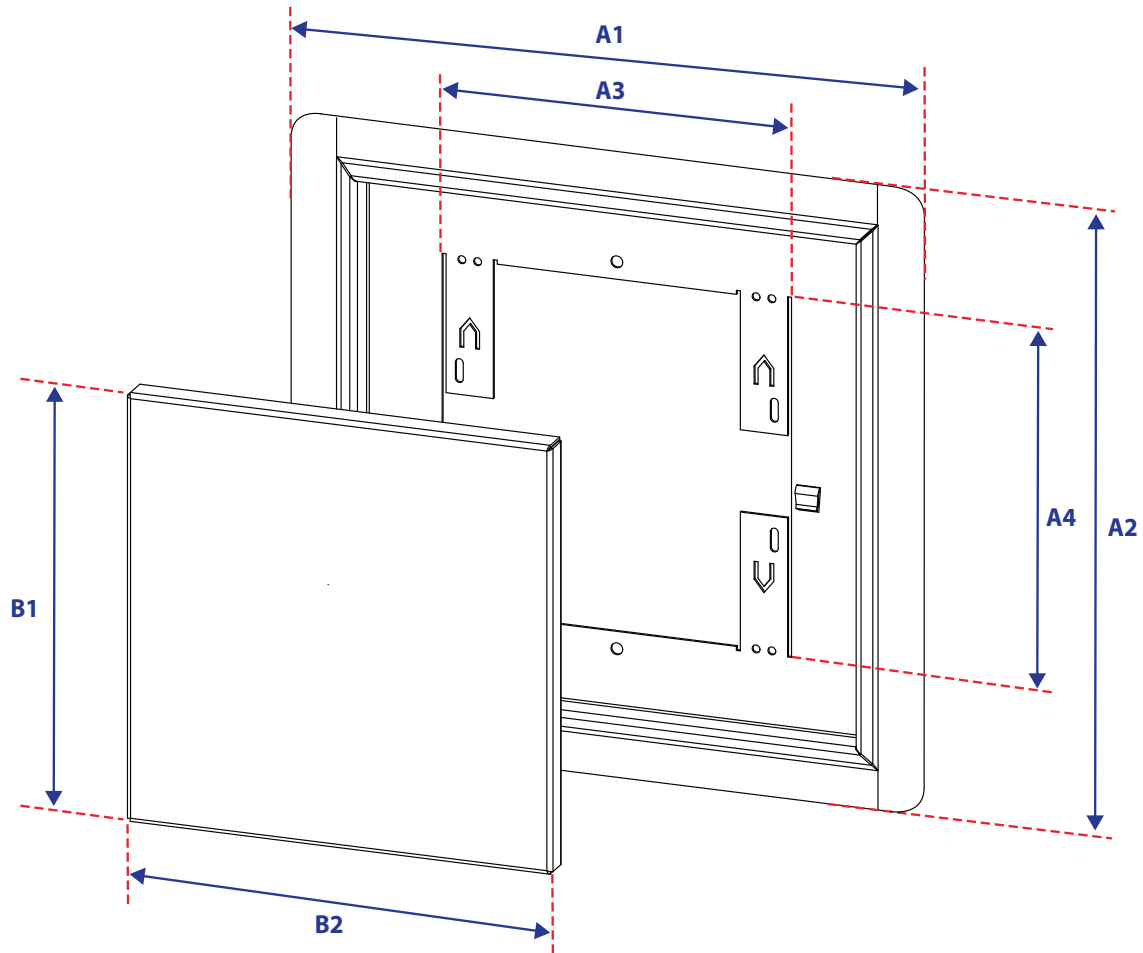
Tray: Powder coated surface to be finished with paint or wallpaper. Can slide and remove to access hidden components.

Body: DIY, top-mount install with no mudding required. Mount body between drywall studs. Paint to match wall colour.

	17"x46"	
C1	18 ¼"	464mm
C2	47"	1194mm
C3	14 ¼"	362mm
C4	43 ¼"	1099mm
D1	44 ¾"	1137mm
D2	15 ¾"	400mm

Small Framed Access Panel [Luxe]

Specification Sheet



	8"x8"		10"x13"		12"x12"	
A1	9 1/4"	235mm	12 7/8"	327mm	13 1/4"	337mm
A2	9 1/4"	235mm	16 5/8"	422mm	13 1/4"	337mm
A3	5 17/32"	140mm	8 7/8"	225mm	9 1/4"	235mm
A4	5 17/32"	140mm	12 5/8"	321mm	9 1/4"	235mm
B1	6 3/4"	171mm	14 1/8"	359mm	10 3/4"	273mm
B2	6 3/4"	171mm	10 3/8"	264mm	10 3/4"	273mm

Note

Product dimensions (eg. 17x17) refer to the size of cut-out needed to install the product. Therefore, the 17x17 needs a cut-out 17"(432mm) by 17"(432mm) and the 17x46 need a cut-out 17"(432mm) by 46"(1168mm) in order to be installed.

Components

Tray: Powder coated surface to be finished with paint or wallpaper. Can slide and remove to access hidden components.

Body: DIY, top-mount install with no mudding required. Mount body between drywall studs. Paint to match wall colour.