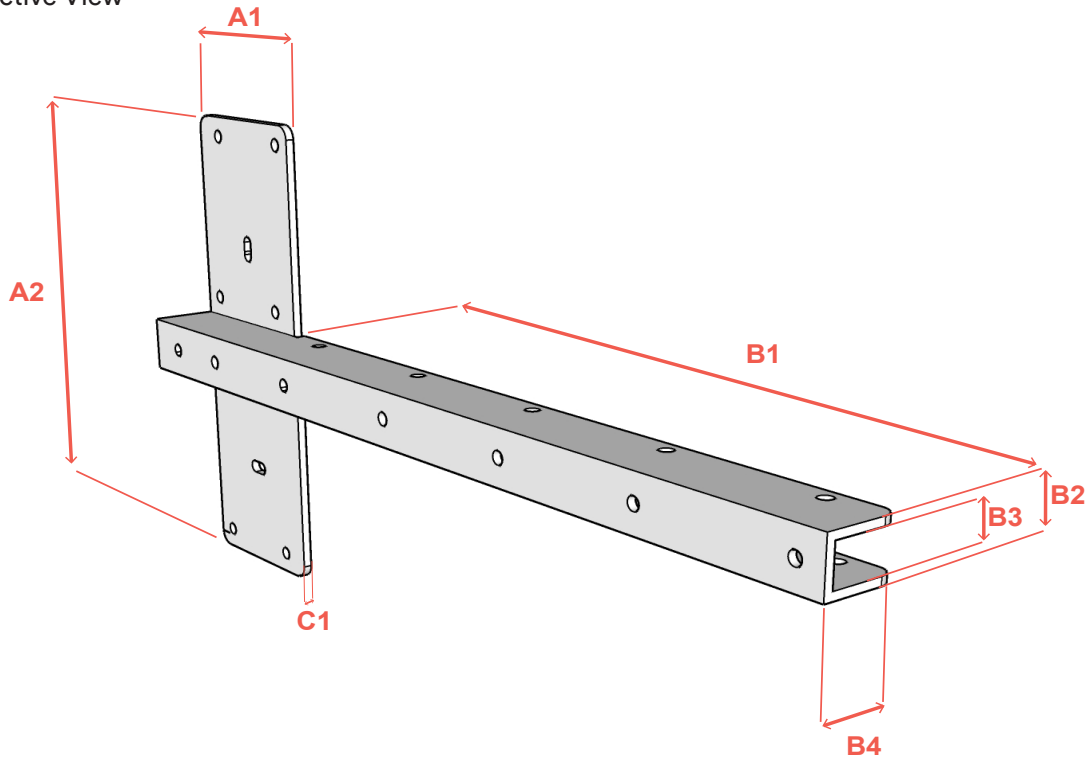




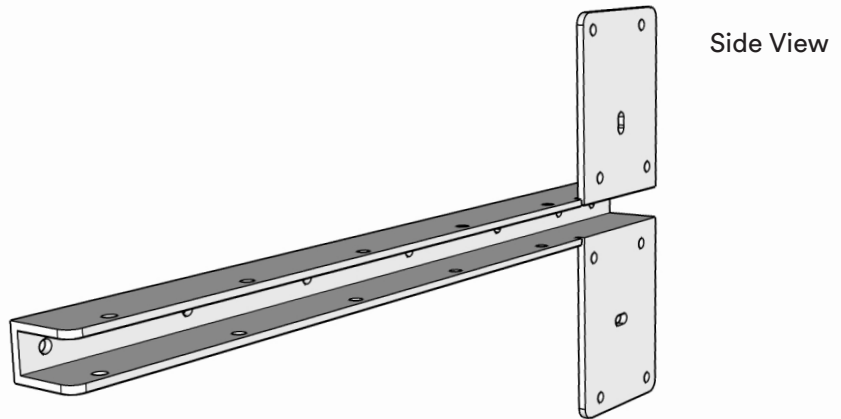
## Brack-14 Kit [Luxe] Specification Sheet

Perspective View



Component Dimensions

BRACK-14		
	Inches	MM
A1	3"	76mm
A2	8 3/4"	222mm
B1	14"	356mm
B2	1"	25mm
B3	3/4"	19mm
B4	1 1/4"	32mm
C1	1/8"	3mm



### Applications

Structural support for floating shower seats, suspended shelving and furniture.

### Install Note

Use provided screws to fasten plate, and / or when fastening brackets together, as lateral add-on extension.

### Weight Capacity

Recommended span between brackets is 16" on center.

\*Depending on weight of finishing material, and application, span can vary.

\*\*Each bracket is rated to hold 350 lbs.